

Haier



User Manual

Refrigerator- Freezer

HSW59F18DIMM

HSW79F18DIPT

**WARNING: Risk of fire/flammable material****EN**

The symbol indicates there is a risk of fire since flammable materials are used. Take care to avoid causing a fire by ingiting flammable material.

VAROVÁNÍ: Nebezpečí Požáru/Hořlavého Materiálu**CZ**

Symbol označuje riziko požáru, protože byly použity hořlavé materiály. Dbejte na to, aby nedošlo ke vzniku požáru zapálením hořlavého materiálu.

WARNUNG: Brandgefahr/brennbares Material**DE**

Das Symbol weist auf Brandgefahr hin, da brennbare Materialien verwendet werden. Verhindern Sie die Entstehung von Bränden, die durch entflammbare Materialien verursacht werden.

ΠΡΟΣΟΧΗ: Κίνδυνος φωτιάς/εύφλεκτο υλικό**EL**

Το σύμβολο υποδεικνύει ότι υπάρχει κίνδυνος φωτιάς επειδή χρησιμοποιούνται εύφλεκτα υλικά. Προσέχετε να αποφεύγετε την πρόκληση φωτιάς από ανάφλεξη εύφλεκτου υλικού.

ADVERTENCIA: Riesgo de incendio o material inflamable**ES**

El símbolo indica que existe riesgo de incendio, dado que se utilizan materiales inflamables. Se debe procurar evitar incendios mediante la combustión de materiales inflamables.

ATTENTION: Risque d'incendie ou de matières inflammables**FR**

Le symbole montre qu'il y'a le risque de matériaux inflammables sont utilisés. Prendre soin d'éviter de provoquer un incendie en ingérant des matières inflammables.

FIGYELEM: Tűz / gyúlékony anyag veszélye**HU**

A szimbólum azt jelzi, hogy tűzveszély áll fenn, mivel gyúlékony anyagokat használnak. Ugyeljen arra, hogy ne tegyen rá tűzveszélyes gyúlékony anyagot.

ATTENZIONE: Rischio di incendio/materiale infiammabile**IT**

Il simbolo indica il rischio di incendio nel caso di utilizzo di materiali infiammabili. Fare attenzione ed evitare l'insorgere di incendi a causa della combustione di materiali infiammabili.

WAARSCHUWING: Brandrisico / brandbaar materiaal**NL**

Het systeem geeft aan dat er een brandrisico bestaat aangezien brandbaar materiaal wordt gebruikt. Zorg ervoor dat er geen brand wordt veroorzaakt door brandbaar materiaal te ont steken.

OSTRZEŻENIE: Ryzyko pożaru/materiał łatwopalny**PL**

Symbol wskazuje, że istnieje ryzyko pożaru, ponieważ używane są materiały łatwopalne. Dbaj o to, aby uniknąć pożaru poprzez zapale nie łatwopalnego materiału.

AVISO: Risco de incêndio e material inflamável**PT**

O símbolo indica que existe um risco de incêndio, uma vez que são utilizados materiais inflamáveis. Tenha cuidado para evitar provocar um incêndio acendendo material inflamável.

AVERTISMENT: Risc de incendiu/material inflamabil**RO**

Simbolul indică că există risc de incendiu deoarece sunt folosite materiale inflamabile. Aveți grijă și evitați incendiile aprinzând materiale inflamabile.



Contents

Safety information	6
Intended use	11
Product description	12
Control panel	13
Use	14
Equipment.....	27
Care and cleaning	29
Troubleshooting	34
Installation	38
Technical data	43
Customer service.....	45



Thank you



Thank you for purchasing a Haier Product.

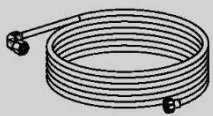
Please read these instructions carefully before using this appliance. The instructions contain important information which will help you get the best out of the appliance and ensure safe and proper installation, use and maintenance.

Keep this manual in a convenient place so you can always refer to it for the safe and proper use of the appliance.

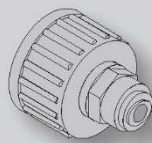
If you sell the appliance, give it away, or leave it behind when you move house, make sure you also pass this manual so that the new owner can become familiar with the appliance and safety warnings.

Accessories

Check the accessories and literature in accordance with this list:



*Water pipe



*Water connector



Energy lable



Warranty card



Quick guide



WARNING - Important Safety information



NOTICE-General information and tips



Environmental information



Disposal

Help protect the environment and human health. Put the packaging in applicable containers to recycle it. Help to recycle waste of electrical and electronic appliances. Do not dispose appliances marked with this symbol with the household waste. Return the product to your local recycling facility or contact your municipal office.



WARNING!

Risk of injury or suffocation!

Refrigerants and gases must be disposed of professionally. Ensure that the tubing of the refrigerant circuit is not damaged before being properly disposed of. Disconnect the appliance from the mains supply. Cut off the mains cable and dispose of it. Remove the trays and drawers as well as the door catch and seals, to prevent children and pets to get closed in the appliance.



Before switching on the appliance for the first time read the following safety hints!:



WARNING!

Before first use

- ▶ Make sure there is no transport damage.
- ▶ Remove all packaging and keep out of children's reach.
- ▶ Wait at least two hours before installing the appliance in order to ensure the refrigerant circuit is fully efficient.
- ▶ Handle the appliance always with at least two persons because it is heavy.

Installation

- ▶ The appliance should be placed in a well-ventilated place. Ensure a space of at least 10 cm above and around the appliance.
- ▶ Never place the appliance in a damp area or location where it might be splashed with water. Clean and dry water splashes and stains with a soft clean cloth.
- ▶ Do not install the appliance in direct sunlight or in the near of heat sources (e.g. stoves, heaters).
- ▶ Install and level the appliance in an area suitable for its size and use.
- ▶ Keep ventilation openings in the appliance or in the in-built structure clear of obstruction.
- ▶ Make sure that the electrical information on the rating plate agrees with the power supply. If it does not, contact an electrician.
- ▶ The appliance is operated by a 220-240 VAC/50 Hz power supply. Abnormal voltage fluctuation may cause the appliance to fail to start, or damage to the temperature control or compressor, or there may be an abnormal noise when operating. In such case, an automatic regulator shall be mounted.
- ▶ Do not use multi-plug adapters and extension cables.
- ▶ Do not locate multiple portable socket-outlets or portable power supplies at the rear of the appliance.
- ▶ Ensure that the power cable is not trapped by the refrigerator. Do not step on the power cable.



WARNING!

- ▶ Use a separate earthed socket for the power supply which is easy accessible. The appliance must be earthed.
Only for UK: The appliance's power cable is fitted with 3-cord (grounding) plug that fits a standard 3-cord (grounded) socket. Never cut off or dismount the third pin (grounding). After the appliance is installed, the plug should be accessible.
- ▶ Do not damage the refrigerant circuit.

Daily use

- ▶ This appliance can be used by children aged from 8 years and above and persons with reduced physical, sensory or mental capabilities or lack of experience and knowledge if they have been given supervision or instruction concerning use of the appliance in a safe way and understand the hazards involved.
- ▶ Children aged from 3 to 8 years are allowed to load and unload, but not allowed to clean or install the refrigerating appliances.
- ▶ Keep away children under 3 years of age from the appliance unless they are constantly supervised.
- ▶ Children shall not play with the appliance.
- ▶ If coal gas or other inflammable gas is leaking in the vicinity of the appliance, turn off the valve of the leaking gas, open the doors and windows and do not unplug a plug in the power cable of the refrigerator or any other appliance.
- ▶ Notice that the appliance is set for operation at a specific ambient range between 10 and 38°C. The appliance may not work properly if it is left for a long period at a temperature above or below the indicated range.
- ▶ Do not place unstable articles (heavy objects, containers filled with water) on top of the refrigerator, to avoid personal injury caused by falling or electric shock caused by contact with water.
- ▶ Do not pull on the door shelves. The door may be pulled slant, the bottle rack, may be pulled away, or the appliance may topple.
- ▶ Open and close the doors only with the handles. The gap between the doors and between the doors and the cabinet is very narrow. Do not extend your hands in these areas to avoid pinching your fingers. Open or close the refrigerator doors only when there are no children standing within the range of door movement.



WARNING!

- ▶ Do not store or use inflammable, explosive or corrosive materials in the appliance or in the vicinity.
- ▶ Do not store medicines, bacteria or chemical agents in the appliance. This appliance is a household appliance. It is not recommended to store materials that require strict temperatures.
- ▶ Never store liquids in bottles or cans (besides high percentage spirits) especially carbonated beverages in the freezer, as these will burst during freezing.
- ▶ Check the condition of food if a warming in the freezer has taken place.
- ▶ Do not set unnecessarily low temperature in the refrigerator compartment. Minus temperatures may occur at high settings. Attention: Bottles can burst
- ▶ Do not touch frozen goods with wet hands (wear gloves). Especially do not eat ice lollies immediately after removal from the freezer compartment. There is the risk to freeze or the formation of frost blisters. FIRST aid: keep immediately under running cold water. Do not pull away!
- ▶ Do not touch the inside surface of the freezer storage compartment when in operation, especially with wet hands, as your hands may freeze onto the surface.
- ▶ Unplug the appliance in the event of a power interruption or before cleaning. Allow at least 7 minutes before restarting the appliance, as frequent starting may damage the compressor.
- ▶ Do not use electrical devices inside the food storage compartments of the appliance, unless they are of the type recommended by the manufacturer. Maintenance / cleaning
- ▶ Make sure children are supervised if they carry out cleaning and maintenance.
- ▶ Disconnect the appliance from the electrical supply before undertaking any routine maintenance. Allow at least 5 minutes before restarting the appliance, as frequent starting may damage the compressor.



WARNING!

- ▶ Hold the plug, not the cable, when unplugging the appliance.
- ▶ Do not clean the appliance with hard brushes, wire brushes, detergent powder, petrol, amyl acetate, acetone and similar organic solutions, acid or alkaline solutions. Please clean with special refrigerator detergent to avoid damage.
- ▶ Do not scrape off frost and ice with sharp objects. Do not use sprays, electric heaters like heater, hair dryer, steam cleaners or other sources of heat in order to avoid damage to the plastic parts.
- ▶ Do not use mechanical devices or other means to accelerate the defrosting process, other than those recommended by the manufacturer.
- ▶ If the supply cord is damaged, it must be replaced by the manufacturer, its service agent or similarly qualified persons in order to avoid a hazard.
- ▶ Do not try to repair, disassemble or modify the appliance by yourself. In case of repair please contact our customer service.
- ▶ Eliminate the dust on the back of the unit at least once in the year to avoid hazard by fire, as well as increased energy consumption.
- ▶ Do not spray or flush the appliance during cleaning.
- ▶ Do not use water spray or steam to clean the appliance.
- ▶ Do not clean the cold glass shelves with hot water. Sudden temperature change may cause the glass to break.

Refrigerant gas information



WARNING!

The appliance contains the flammable refrigerant ISOBUTANE (R600a). Make sure the refrigerant circuit is not damaged during transportation or installation. Leaking refrigerant may cause eye injuries or ignite. If a damage has occurred, keep away open fire sources, thoroughly ventilate the room, do not plug or unplug the power cords of the appliance or any other appliance. Inform the customer service.

In case of eyes get into contact with the refrigerant, rinse immediately it under running water and call immediately the eye specialist.



Intended use

This appliance is intended for cooling and freezing food. It has been designed exclusively for use in household and similar applications such as staff kitchen areas in shops, offices and other working environments; farm houses and by clients in hotels, motels and other residential type environments as well as in bed-and-breakfast and catering business. It is not intended for commercial or industrial use.

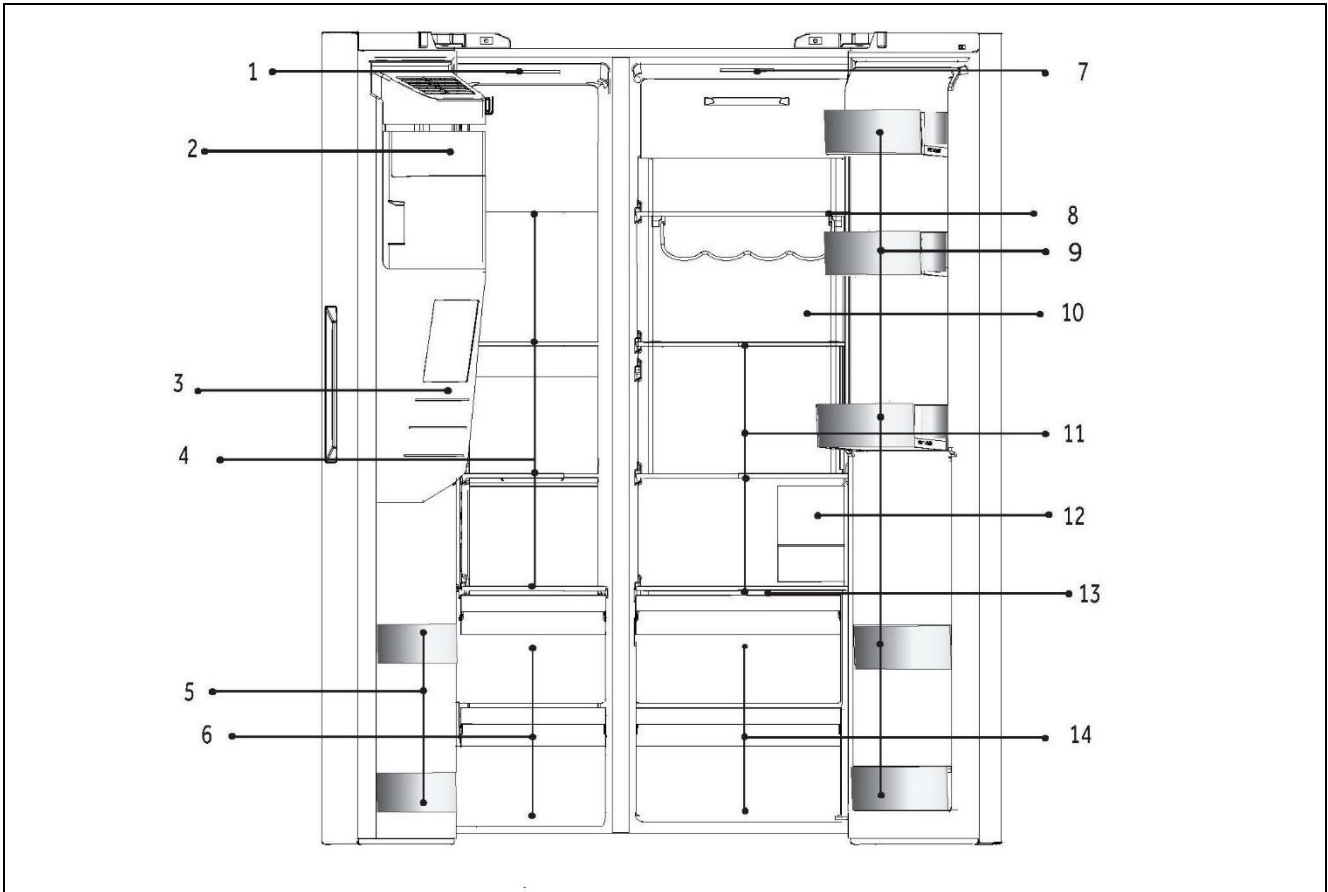
Changes or modifications to the device are not allowed. Unintended use may cause hazards and loss of warranty claims.

Standards and directives and

This product meets the requirements of all applicable EC directives with the corresponding harmonised standards and UK standards, which provide for CE and UKCA marking.

i Notice

Due to technical changes and different models, some of the illustrations in this manual may differ from your model.



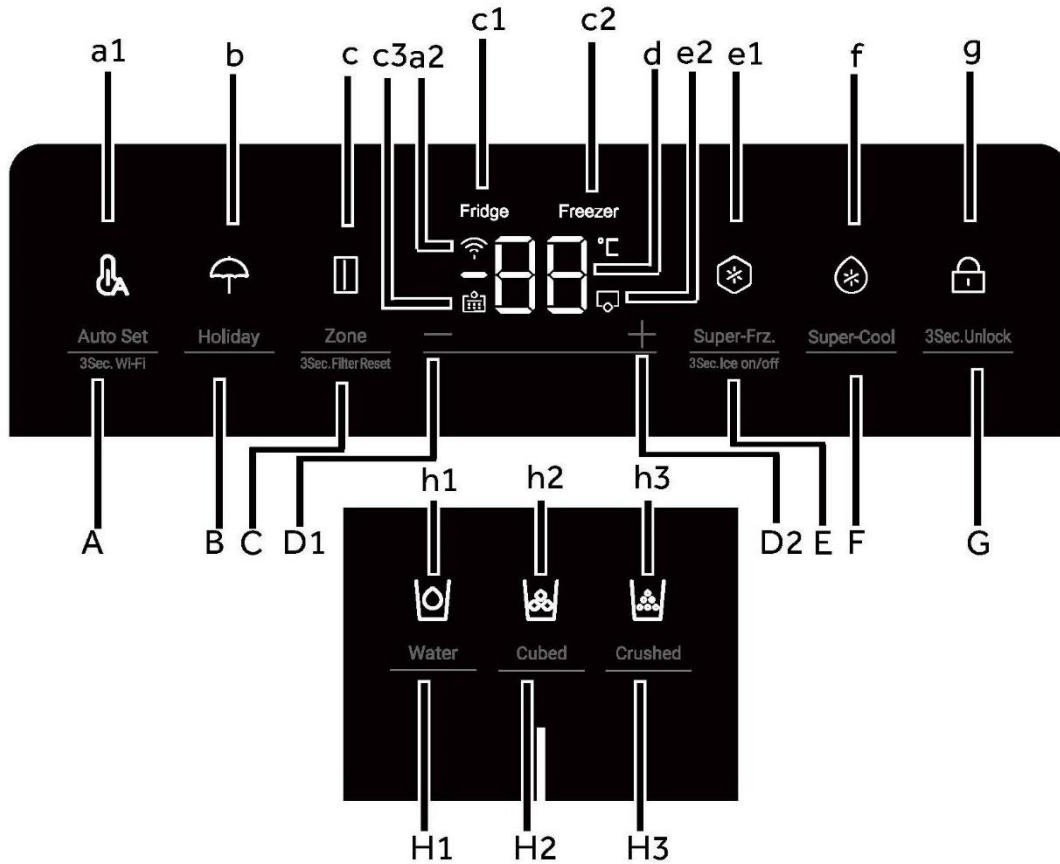
A: Freezer compartment

- 1 Ceiling lamp
- 2 Ice maker with ice container
- 3 Water and ice dispenser
- 4 Glass shelves
- 5 Bottle holder
- 6 Drawers

B: Refrigerator compartment

- 7 Ceiling lamp
- 8 Wine rack
- 9 Bottle holder
- 10 Back lamp(HSW79F18DIPT)
- 11 Glass shelves
- 12 Water filter
- 13 Wet zone cover plate
- 14 Drawers

Control panel



Keys:

- A Auto Set function/3Sec.Wi-Fi
- B Holiday function
- C Zone selection/3Sec.Filter Reset
- D1 Temperature adjustment button
- D2 Temperature adjustment button "+"
- E Super-Freeze function/3Sec. Ice on/ off
- F Super-Cool function
- G Panel lock selector
- H1 Water intake function selector
- H2 Cubed ice function selector
- H3 Crushed ice function selector

Indicators:

- a1 Auto Set mode
- a2 Wi-Fi function
- b Holiday mode
- c Zone indicator
- c1 Fridge indicator
- c2 Freezer indicator
- c3 Filter reset function
- d Temperature display
- e1 Super-Freeze mode
- e2 Ice Maker mode
- f Super-Cool mode
- g Panel lock
- h1 Water intake function
- h2 Cubed ice function
- h3 Crushed ice function



Before first use

- ▶ Remove all packaging materials, keep them out of children's reach and dispose them in an environmentally friendly manner.
- ▶ Clean the inside and outside of the appliance with water and a mild detergent before putting any food in it.
- ▶ After the appliance has been levelled and cleaned, wait for at least 2-5 hours before connecting it to the power supply. See Section INSTALLATION.
- ▶ Precool the compartments at high settings before loading with food. The function Power- Freeze helps to cool down the compartments quickly.
- ▶ The refrigerator temperature and freezer temperature are automatically set to 5°C and -18°C respectively. These are the recommended settings. If desired, you can change these temperatures manually. Please see ADJUST THE TEMPERATURE.

Sensor keys

The buttons on the control panel are sensor keys, which already respond when lightly touched with the finger.

Switch on /of the appliance

The appliance is in operation as soon as it is connected to the power supply.

The temperatures displayed will show the setting temperatures in the compartment.

Maybe the panel lock is active.



Notice

When the appliance is switched on after disconnection from the main power supply, it may take up to 12 hours for the correct temperatures to be reached.

Empty the appliance before switching off. To switch off the appliance, pull the power cord out off the power socket.

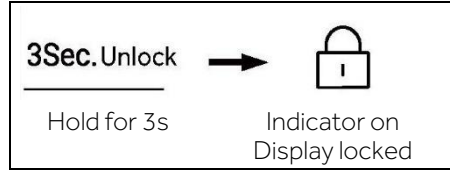


NOTICE

When the refrigerator is first powered on, the indicator illuminates. The fridge temperature and freezer temperature are automatically set to 5° C and -18° C respectively.

Lock/unlock panel

1. Automatic lock: When the fridge door, freezer door are closed and there is no key operation within 30 seconds, the display screen will be automatically extinguished and locked



2. Manual lock: When the display screen is unlocked, press the button "G" (Panel lock selector) and hold for 3 seconds, the buzzer rings once, the indicator "g" (Panel lock) illuminates, and the display is locked.



Adjust the temperature

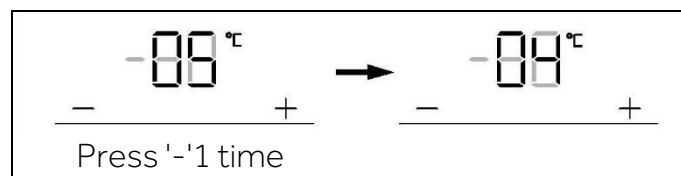
The indoor temperatures are influenced by the following factors:

- ▶ Ambient temperature
- ▶ Frequency of door opening
- ▶ Amount of stored foods
- ▶ Installation of the appliance

Adjust the temperature for fridge

1. When the display screen is unlocked, press the button "C" (Zone selector). The buzzer rings once, the indicator "c1" (Fridge indicator) flashes, and then here comes the temperature setting mode of the fridge.

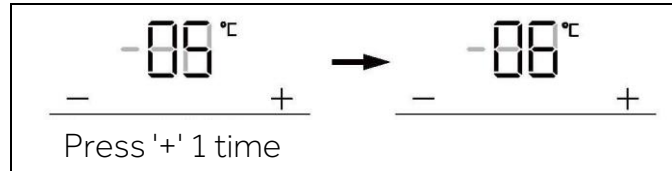
2. Press the button "D1" (Temperature adjustment button "-") every time, the buzzer rings once, the set temperature of the fridge will be reduced by 1. The fridge temperature will display in the sequence of "9°C > 8°C > 7°C > 6°C > 5°C > 4°C > 3°C > 2°C > 1 °C".





Adjust the temperature for fridge

3. Press the button "D2" (Temperature adjustment button "+") every time, the buzzer rings once, the set temperature of the fridge will be increased by 1. The fridge temperature will display in the sequence of "1°C > 2°C > 3°C > 4°C > 5°C > 6°C > 7°C > 8°C > 9°C"



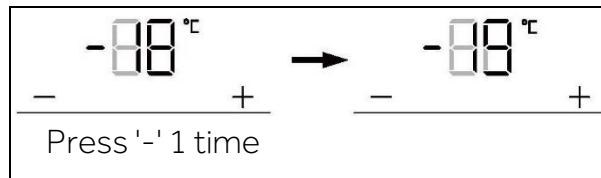
Notice

After setting the temperature, if there is no operation within 5 seconds, the system will be automatically determined and save the set temperature.

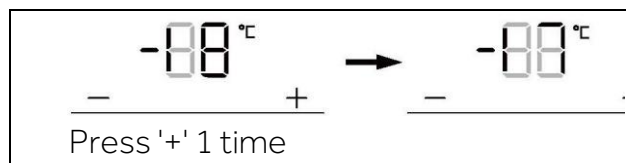
Adjust the temperature for freezer

1. When the display screen is unlocked, press the button "C" (Zone selector). The buzzer rings once, the indicator "c2" (Freezer indicator) flashes, and then here comes the temperature setting mode of the freezer.

2. Press the button "D1" (Temperature adjustment button "-") every time, the buzzer rings once, the set temperature of the freezer will be reduced by 1. The freezer temperature will display in the sequence of "-14°C > -15°C > -16°C > -17°C > -18°C > -19°C > -20°C > -21°C > -22°C > -23°C > -24°C".



3. Press the button "D2" (Temperature adjustment button "+") every time, the buzzer rings once, the set temperature of the freezer will be increased by 1. The freezer temperature will display in the sequence of "-24°C > -23°C > -22°C > -21°C > -20°C > -19°C > -18°C > -17°C > -16°C > -15°C > -14°C".

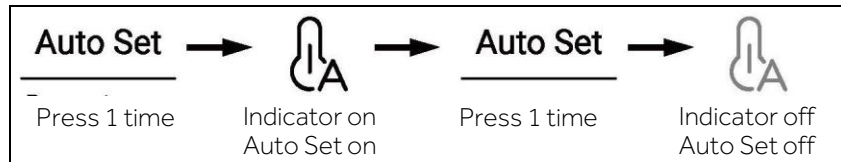


Notice

After setting the temperature, if there is no operation within 5 seconds, the system will be automatically determined and save the set temperature.

Auto Set mode

1. When the display screen is unlocked, press the button "A" (Auto Set mode selector), the buzzer rings once, the indicator "a1" (Auto Set mode) illuminates, and then the Auto Set function will be turned on.
2. When the indicator "a1" (Auto Set mode) illuminates, press the button "A" (Auto Set mode selector), the buzzer rings once, the indicator "a1" (Auto Set mode) goes off, and then the Auto Set function will be turned off



Notice

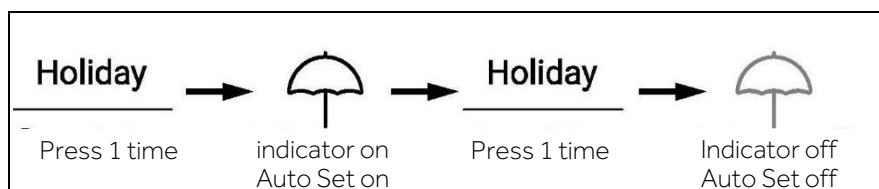
In Auto Set mode, the fridge or freeze temperature cannot be adjusted. If either button "D1" (Temperature adjustment button "-") or button "D2" (Temperature adjustment button "+") is pressed to adjust the temperature of fridge or freezer, the indicator "a1" (Auto Set indicator) will flash with a prompt sound to indicate that this operation cannot be carried out.

In Auto Set mode, due to different control methods, if the "Super-Cool", "Super-Freeze" or "Holiday function is set, the indicator "a1" (Auto Set mode) goes off, and then the Auto Set function will automatically exit.

Holiday mode

Holiday mode is designed for not using the fridge for a long time. When the Holiday mode is turned on, the freezer is under normal control, and the temperature of fridge is automatically set to be 17°C. The actual temperature is not higher than 17°C, which prevents peculiar smell caused by overtemperature, and helps reduce energy consumption at the same time.

1. When the display screen is unlocked, press the button "B" (Holiday mode selector), the buzzer rings once, the indicator "b" (Holiday mode) illuminates, and then the Holiday function will be turned on.
2. When the indicator "b" (Holiday mode) illuminates, press the button "B" (Holiday mode selector), the buzzer rings once, the indicator "b" (Holiday mode) goes off, and then the Holiday function will be turned off





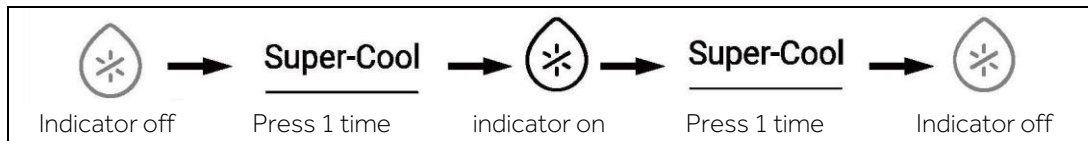
i Notice

Under Holiday state, the fridge temperature cannot be adjusted. If either button "D1" (Temperature adjustment button or button "D2" (Temperature adjustment button "+") is pressed to adjust the temperature of fridge, the indicator "b" (Holiday indicator) will flash with a prompt sound to indicate that this operation cannot be carried out.

Before using the Holiday function, please empty the fridge to prevent food goes bad in it. When the Holiday function is turned on, either "Auto Set" function or "Super-Cool" function cannot be turned on at the same time.

Super-Cool function

1. When the display screen is unlocked, press the button "F" (Super-Cool selector), the buzzer rings once, the indicator "f" (Super-Cool function) illuminates, and then the Super-Cool function will be turned on.
2. When the indicator "f" (Super-Cool function) illuminates, press the button "F" (Super-Cool selector), the buzzer rings once, the indicator "f" (Super-Cool function) goes off and then the Super-Cool function will be turned off.
3. After the Super-Cool function is turned on, the refrigerator will automatically turn off the function when it reaches the set condition. If you want to exit manually, you can press the button "F" (Super-Cool selector) to turn it off.



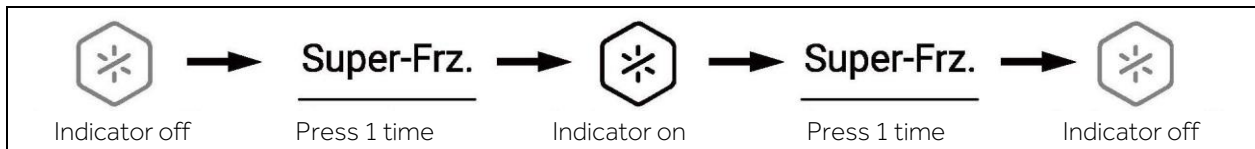
i Notice

Under Super-cool state, the fridge temperature cannot be adjusted. If either button "D1" (Temperature adjustment button "-") or button "D2" (Temperature adjustment button "+") is pressed to adjust the temperature of fridge, the indicator "f" (Super-Cool indicator) will flash with a prompt sound to indicate that this operation cannot be carried out.

In the state of Super-cool function, the Auto-set function or Holiday function cannot be turned on at the same time due to different control modes. When you choose one function that conflicts with another function, the original function will automatically exit.

Super-Freeze function (Super-Frz)

1. When the display screen is unlocked, press the button "E" (Super-Frz. selector), the buzzer rings once, the indicator "e1" (Super-Freeze function) illuminates, and then the Super-Freeze function will be turned on.
2. When the indicator "e1" (Super-Freeze function) illuminates, press the button "E" (Super-Frz. selector), the buzzer rings once, the indicator "e1" (Super-Freeze function) goes off and then the Super-Freeze function will be turned off
3. After the Super-Freeze function is turned on, the refrigerator will automatically turn off the function when it reaches the set condition. If you want to exit manually, you can press the button "E" (Super-Frz. selector) to turn it off.



Notice

Under Super-Freeze state, the freezer temperature cannot be adjusted. If either button "D1" (Temperature adjustment button "-") or button "D2" (Temperature adjustment button "+") is pressed to adjust the temperature of freezer, the indicator "e1" (Super-Frz. indicator) will flash with a prompt sound to indicate that this operation cannot be carried out.

In the state of Super-Freeze function, the Auto-set function cannot be turned on at the same time due to different control modes. When you choose one function that conflicts with another function, the original function will automatically exit.

Filter function

When the refrigerator operates for six months, the reminder indicator "c3" (Filter Reset function) will light up to remind users to replace with a new filter. When filter is replaced, hold the button "C" (Filter Reset function selector) for 3 seconds to cancel the reminder, the timing will reset with buzzer ringing.



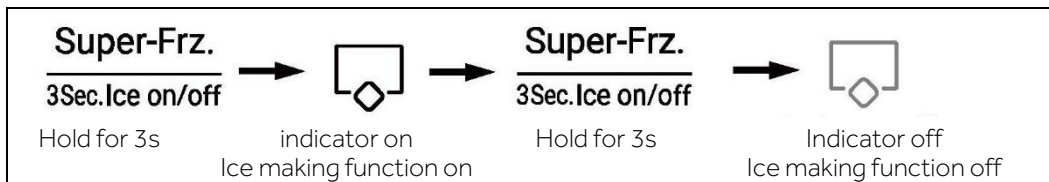
Notice

The normal service life of filter is six months. It is recommended to replace the filter every six months.



Ice maker mode

1. Under unlocked state, press the button "E" (Ice maker mode selector) and hold for 3 seconds, the buzzer rings once, the indicator "e2" (Ice maker mode) illuminates, and then the ice maker mode will be turned on.
2. When the indicator "e2" (Ice maker mode) illuminates, press the button "E" (Ice maker mode selector) and hold for 3 seconds, the buzzer rings once, the indicator "e2" (Ice maker mode) goes off, and then the ice maker mode will be turned off

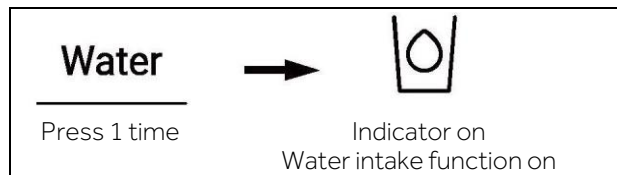


Notice

When the application is powered on, the ice maker is off by default.
 When you don't need ice cubes for a long period of time, please turn off the Ice Maker function, empty the container and insert the cleaned container.
 The Icemaker can only be configured with manufacturer or purchased from its service agent.

Water intake function

Under any state (locked or unlocked), press the button "H1" (Water intake function selector), the buzzer rings once, the indicator "h1" (Water intake function) illuminates, and then the water intake function will be turned on.

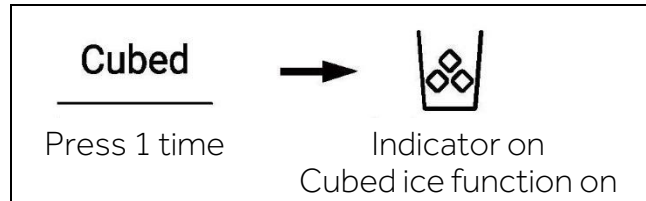


Notice

1. When the indicator "h1" (Water intake function) illuminates, the indicator "h2" (Cubed ice function) and the indicator "h3" (Crushed ice function) go off. After the dispenser paddle is pressed, water will flow out of the intake port.
2. When the water intake time reaches 150s, the refrigerator will beep and keep water until the time reaches 180s, the water will be cut off and the water valve will enter the 200s protection time, and then water intake can be carried out again.
3. When the cumulative water intake time reaches 5min within 10min, the water valve enters the 10min protection time, and then water intake can be carried out again.

Cubed ice function

Under any state (locked or unlocked), press the button "H2" (Cubed ice function selector), the buzzer rings once, the indicator "h2" (Cubed ice function) illuminates, and then the Cubed ice function will be turned on.

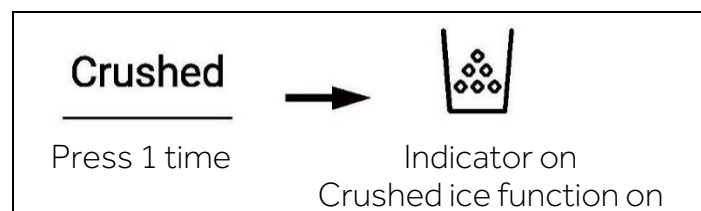


Notice

1. When the indicator "h2" (Cubed ice function) illuminates, the indicator "h1" (Water intake function) and the indicator "h3" (Crushed ice function) go off. After the micro-switch of distributor is pressed, cubed ice will flow out of the intake port.
2. When the ice maker is firstly connected to electricity to operate, the Cubed ice function is turned off by default.
3. Press the micro-switch of dispenser, the light of it turns on with the cover of it open. Then, the motor of crushing ice starts to rotate anticlockwise to push ice cubes. Loosen the micro-switch of dispenser, the motor of crushing ice stops, the cover of dispenser will close and the light will go off after 5 seconds.
4. Under the state of Cubed ice, when Cubed ice time is longer than 50 seconds, there will be buzzer starting to alert (knocking) to notice users to shut it down. When the time reaches 1 minute, it is forced to stop Cubed ice, and it is effective when the switch is pressed next time.
5. During Cubed ice, if the fridge door is opened, the motor that delivering ice will stop, with the cover of dispenser closed, light of dispenser off and Cubed ice will be stopped.
6. it is forbidden to get ice with the fridge door open.

Crushed ice function

Under any state (locked or unlocked), press the button "H3" (Crushed ice function selector), the buzzer rings once, the indicator "h3" (Crushed ice function) illuminates, and then the Crushed ice function will be turned on.



Notice

When the indicator "h3" (Crushed ice function) illuminates, the indicator "h1" (Water intake function) and the indicator "h2" (Cubed ice function) go off. After the micro-switch of distributor is pressed, crushed ice will flow out of the intake port.

Press the micro-switch of dispenser, the light of it turns on with the cover of it open. Then, the motor of crushing ice starts to rotate clockwise to push ice cubes. Loosen the micro-switch of dispenser; the motor of crushing ice stops, the cover of dispenser will close and the light will go off after 5 seconds.

Under the state of Crushed ice, when Crushed ice time is longer than 50 seconds, there will be buzzer starting to alert (knocking) to notice users to shut it down. When the time reaches 1 minute, it is forced to stop Crushed ice, and it is effective when the switch is pressed next time.

During Crushed ice, if the fridge door is opened, the motor that delivering ice will stop, with the cover of dispenser closed, light of dispenser off, and Crushed ice will be stopped. It is forbidden to crush ice with the fridge door open.

Door opening alarm

If any door is kept open too long or the door is not closed well, the refrigerator will raise beep alarm at set intervals to remind you to close the door in time.

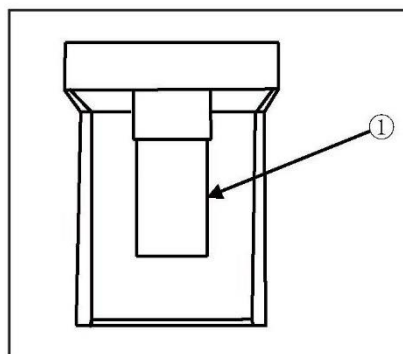
Power off memory

The instantaneous working state of power off is remembered. After power on again, it still works according to the setting before power off

Using the ice and water dispenser

Press the dispenser selection button repeatedly until the light above the indicator that you want illuminates.

Press the dispenser paddle (1) with a glass or other container to dispense cubed ice, water or crushed ice.



TIPS ON STORING FRESH FOOD

Storing into the fridge compartment

1. Keep your fridge temperature below 5°C.
2. Hot food must be cooled to room temperature before storing in the appliance.
3. Foods stored in the fridge should be washed and dried before storing.
4. Food to be stored should be properly sealed to avoid odour or taste alterations.
5. Do not store excessive quantities of food. Leave spaces between foods to allow cold air flowing around them, for a better and more homogeneous cooling
6. Foods eaten daily should be stored at the front of the shelf.
7. Leave a gap between foods and the inner walls, allowing air flow. Especially don 't store foods against the rear wall: foods could freeze against rear wall. Avoid direct contact of food (especially oily or acidic food) with the inner liner, as oil / acid can erode the inner liner. Clean away oily / acid dirt whenever it is found.
8. Defreeze frozen food in the fridge storage compartment. This way, you can use the frozen food to decrease the temperature in the compartment and save energy.
9. The ageing process of fruit and vegetables such as courgettes, melons, papaya, banana, pineapple, etc. can be accelerated in the fridge. The refore, it is not advisable to store them in the fridge. However, the ripening of strongly green fruits can be promoted for a certain period. Onions, garlic, ginger and other root vegetables should also be stored at room temperature.
10. Unpleasant odours inside the fridge are a sign that something has spilled and cleaning is required. See CARE AND CLEANING.
11. Different kinds of food should be placed in different areas according to their properties:

1-Butter, cheese etc.

2-Eggs, canned food, spices etc.

3/4/5-Drinks and bottled foods.

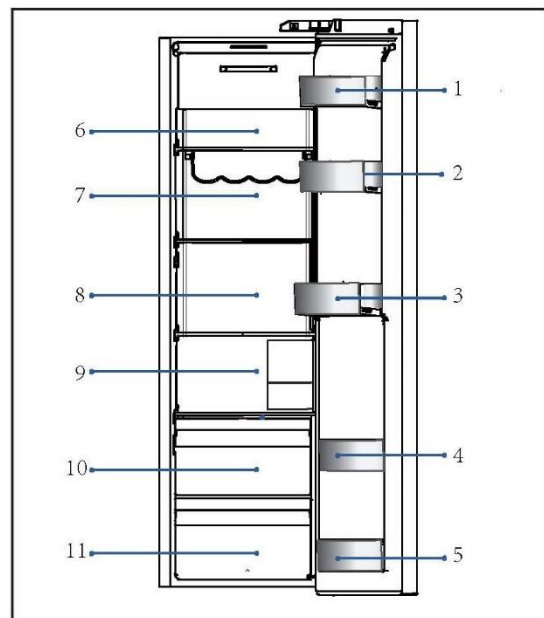
6-Pickled foods, canned food, etc

7/8-Meat products, fish, raw food

9-Cans, dairy products etc.

10-Fruits, vegetables, lettuce, etc

11-Cooked meat, sausages, etc.



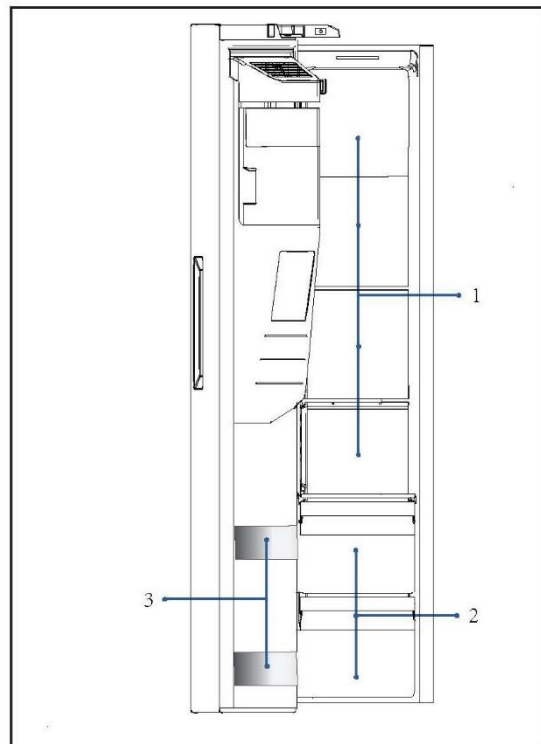


TIPS ON STORING FRESH FOOD

Storage into the freezer compartment

1. Keep the freezer temperature at -18°C .
2. 12 hours before freezing additional items switch on the Super - Freeze function; for small quantities of food 4-6 hours are sufficient.
3. Hot food must be cooled to room temperature before storing in the freezer compartment.
4. Food cut into small portions will freeze faster and is easier to defrost and cook. The recommended weight for each portion is less than 2.5 kg.
5. It is better to pack food before putting it into the freezer. The outside of the packaging must be dry to avoid bags sticking together. Packaging materials should be odour - free, airtight, non - poisonous and nontoxic.
6. In order to avoid expiration of storage periods, please note the freezing date, time limit and name of the food on the packaging according to the storage periods of different foods.
7. **WARNING !:** Acid, alkali and salt etc. could erode the internal surface of the freezer. Do not place the food having these substances (e.g. sea fish) directly on the internal surface. Salt water in the freezer should be cleaned up immediately.
8. Do not exceed the food storage times recommended by the manufacturers. Only take the required amount of food out of the freezer.
9. Different kinds of food should be placed in different areas according to their properties:

- 1- Less weighty items, such as ice cream, vegetables, bread etc.
- 2- Large / heavier portions of food, such as meat joints for roasting
- 3- Pizza etc.





NOTICE: STORAGE

1. Please keep a distance of more than 10 mm between the food and the sensor to ensure the cooling effect.
2. Please leave the lowest drawer in the appliance when it is working in order to ensure the cooling effect.
3. Food items that include ice (like ice cream etc.) should be stored inside the freezer compartment instead of in the bottle holders. The temperature changes the bottle holders are exposed to, caused by opening and closing the door, may thaw the food.
4. Consume defrosted food quickly. Defrosted food cannot be refrozen unless it is firstly cooked, otherwise it may become inedible.
5. Do not load excessive quantities of fresh food in the freezer compartment. Refer to the freezing capacity of the freezer - See TECHNICAL DATA or data at the type plate.
6. Food can be stored in the freezer at a temperature of at least -18°C for 2 to 12 months, depending on its properties (e.g., meat:3-12 months, vegetables:6-12 months)
7. When freezing fresh food, avoid bringing it in contact with already frozen food. Risk of thawing!
8. Defreeze frozen food in the fridge. This way, you can use the frozen food to decrease the temperature in the compartment and save energy.

When storing commercially frozen foods, please follow these guidelines:

1. Always follow manufacturers' guidelines for the length of time you should store food for. Do not exceed these guidelines !
2. Try to keep the length of time between purchase and storage as short as possible to preserve food quality.
3. Buy frozen foods, which have been stored at a temperature of -18°C or below.
4. Avoid buying food which has ice or frost on the packaging - This indicates that the products might have been partially defrosted and refrozen at some point - temperature rises affect the quality of food.

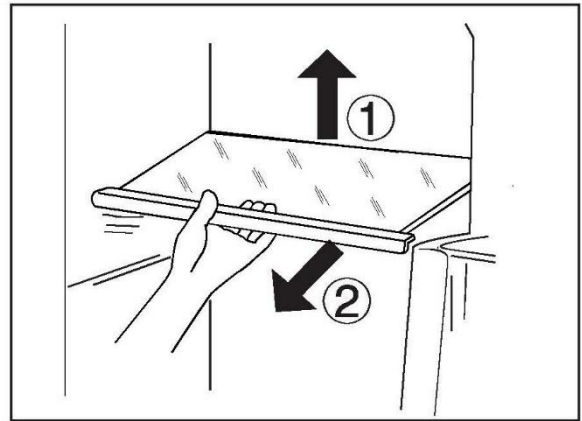


Energy saving tips

- ▶ Make sure the appliance is properly ventilated (see INSTALLATION).
- ▶ Do not install the appliance in direct sunlight or in the near of heat sources (e.g. stoves, heaters).
- ▶ Avoid unnecessarily low temperature in the appliance. The energy consumption increases the lower the temperature in the appliance is set.
- ▶ Functions like POWER- FREEZE consume more energy.
- ▶ Allow warm food to cool down before placing it in the appliance.
- ▶ Open the appliance door as little and as briefly as possible.
- ▶ Do not overfill the appliance to avoid obstructing the air flow.
- ▶ Avoid air within the food packaging.
- ▶ Keep door seals clean so that the door always closes correctly
- ▶ Defreeze frozen food in the fridge storage compartment.
- ▶ The most energy-saving configuration requires the appliance keep drawers, food box and shelves on factory-fresh condition, and food should be places as far as possible without blocking the air outlet of the duct.

Adjustable shelves

1. The height of the shelves can be adjusted to fit your storage needs.
2. To relocate a shelf, remove it first by uplifting its hind edge ① and pulling it out ②.
3. To reinstall it, put it on the lugs on both sides and push it to the most rearward position until the rear of the shelf is fixed inside the slots in the sides

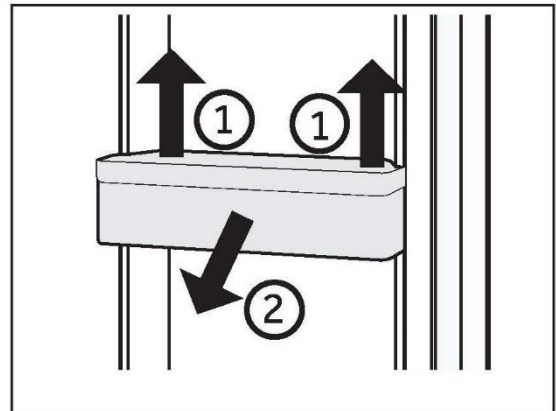


i NOTICE

Ensure that all ends of a shelf are level.

Removable door racks/bottle holder

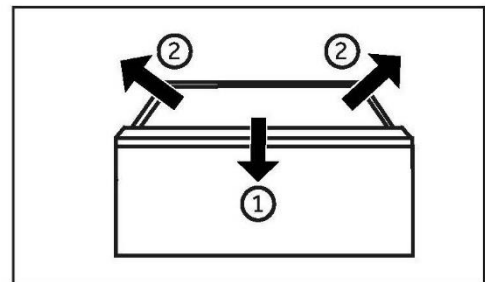
1. The door racks/bottle holder can be removed for cleaning:
2. Place hands on each side of the racks/ bottle holder, lift it upwards ① and pull it out ②.
3. In order to insert the door racks/bottle holder, the above steps are carried out in reverse order



Removable drawer

To remove the drawer out, pull out to the maximum extent ①, lift and remove ②.

In order to insert the drawer, the above steps are carried out in reverse order.



Ice container

Stopping the production of ice

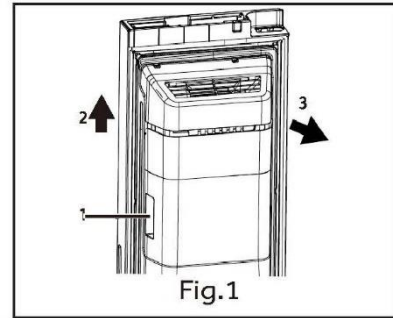
If no ice or water is needed over a long period of time, the valve between the water supply and the appliance can be turned off.

The ice box should be cleaned, dried and put back into the appliance to prevent the emergence of odours.



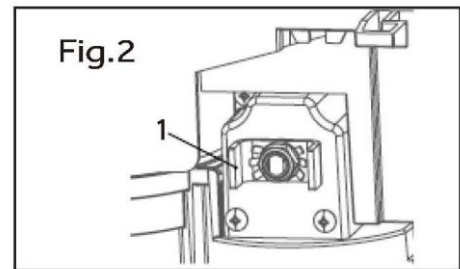
Removing the ice container

1. Grip both side handles.
2. Lift the container up.
3. Pull the container out.



Reinstalling the ice container

To reinstall the ice container, the U - shaped bracket behind the ice container (1 in Fig.2) must be aligned with the corresponding metal structure. Follow the steps from Fig. 1 in the reverse order.



NOTICE

Moisture can condense and freeze the ice box in place.



WARNING!

Disconnect the appliance from the power supply before cleaning.

Cleaning

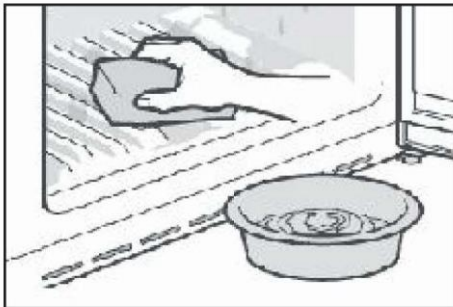
Clean the appliance when only little or no food is stored.

The appliance should be cleaned every four weeks for good maintenance and to prevent bad stored food odors.



WARNING!

- ▶ Do not clean the appliance with hard brushes, wire brushes, detergent powder, petrol, amyl acetate, acetone and similar organic solutions, acid or alkaline solutions. Please clean with special refrigerator detergent to avoid damage.
- ▶ Do not spray or flush the appliance during cleaning.
- ▶ Do not use water spray or steam to clean the appliance.
- ▶ Do not clean the cold glass shelves with hot water. Sudden temperature change may cause the glass to break.
- ▶ Do not touch the inside surface of the freezer storage compartment, especially with wet hands, as your hands may freeze onto the surface.
- ▶ In case of heating check the condition of frozen goods.



- ▶ Always keep the door gasket clean.
 - ▶ Clean the inside and housing of the appliance with a sponge dampened in warm water and neutral detergent.
1. Please scrub the interior and exterior of the refrigerator, including door sealing, door rack, glass shelves, boxes and so on, with a soft towel or sponge dipped in warm water (you may add neutral detergent into the warm water).
 2. If there is liquid spilled, remove all the contaminated parts, directly rinse with the flow water, dry and place it back into the fridge.
 3. If there is spilled cream (such as the cream, melting ice cream), please remove all the contaminated parts, put into the warm water with about 40°C for some time, then rinse with the flow water, dry and place it back into the fridge.
 4. In case some small part or component gets stuck inside of the fridge (between shelves or drawers), use small soft brush to release it. If you could not reach the part, please contact Haier service
- ▶ Rinse and dry with soft cloth.
 - ▶ Do not clean any of the parts of the appliance in a dishwasher.
 - ▶ Allow at least 5 minutes before restarting the appliance as frequent starting may damage the compressor.

Defrosting

The defrosting of the refrigerator and the freezer compartment are done automatically; no manual operation is needed.



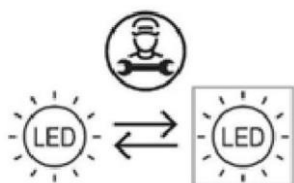
Replacing the LED-lamps



WARNING!

Do not replace the LED lamp yourself, it must only be replaced by either the manufacturer or the authorised service agent.

The lamps adopts LED as its light source, featuring low energy consumption and long service life. If there is any abnormality, please contact the customer service. See CUSTOMER SERVICE.



Replaceable (LED only) light source by a professional.

This product contains a light source of energy efficiency class G.

Compartment	Voltage	Energy efficiency class	Model
Refrigerator	12V	G	HSW59F18DIMM
Freezer	12V	G	HSW79F18DIPT
Back lamp	12V	G	

Cleaning the ice container

Clean the ice container periodically with warm water, especially if ice cubes get older and stale. Dry the container well before putting it back into the appliance in order to prevent ice cubes from sticking to the walls.

Non-use for a longer period

If the appliance is not used for an extended period of time, and you will not use the Holiday-function for the refrigerator:

- ▶ Take out the food.
- ▶ Unplug the power cord.
- ▶ Clean the appliance as described above.
- ▶ Keep the doors open to prevent the creation of bad odours inside.



NOTICE

Turn the appliance off only if strictly necessary.



Moving the appliance

1. Remove all food and unplug the appliance.
2. Secure shelves and other moveable parts in the fridge and the freezer with adhesive tape.
3. Do not tilt the refrigerator more than 45° to avoid damaging the refrigerating system.



WARNING!

- ▶ Do not lift the appliance by its handles.
- ▶ Never place the appliance horizontally on the ground.

Replacing the filter

The water filter has to be changed approximately every 6 months, when the indicator "c3" (Filter Reset function) lights up.

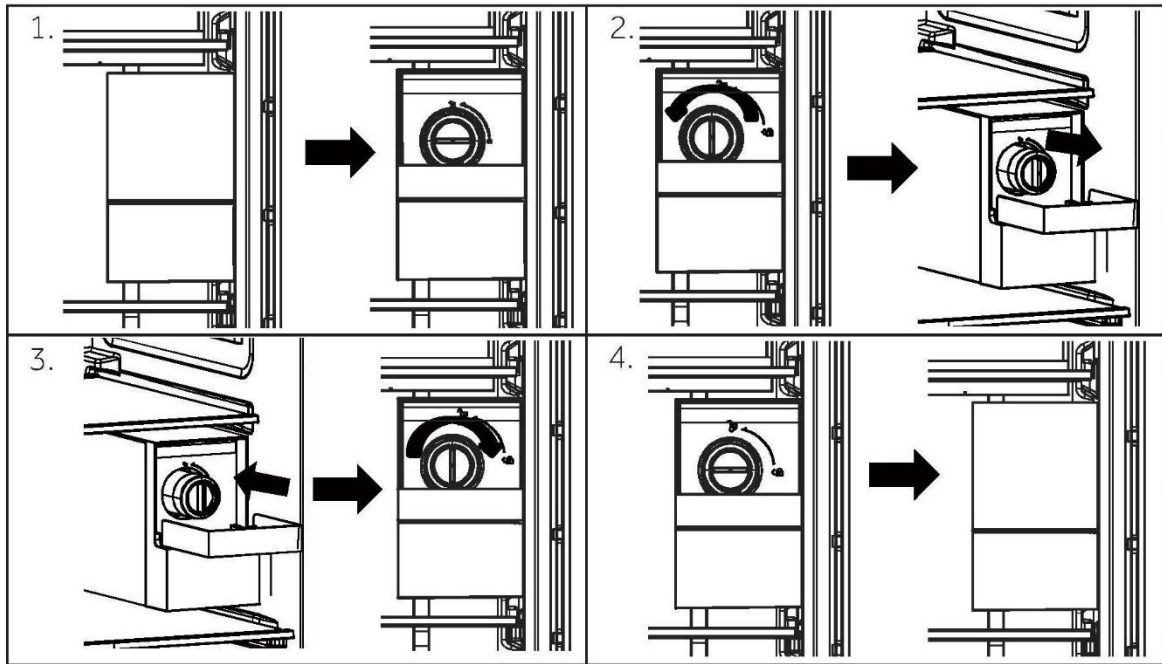
To purchase a replacement water filter:

- Use replacement cartridge: HRXWF,
- Visit your local dealer or distributor. For further assistance, visit our website at www.haierespares.eu



Notice

- ▶ Replacing the water filter causes a small amount of water (around 1 oz. or 25 cc) to drain.
 - ▶ Wrap a cloth around the front end of the water filter cover to collect any leaking water. Hold the water filter upright, once it is removed, to prevent any remaining water from spilling out of the water filter.
1. Press down the middle of the upper cover and turn down.
 2. Remove the disposable water filter.
 3. Replace with a new water filter. Insert the new filter into the filter head and rotate it clockwise until the arrow on the new filter lines up with the arrow on the filter head. Swing the filter back into the compartment.
 4. Close the water filter cover.



5. Press and hold the 3Sec. Filter Reset button for 3 seconds.
6. Dispense water for approximately 5 minutes to remove trapped air and contaminants.



CAUTION!

- ▶ Failure to replace filters when required or using non Haier authorised water filters can cause the filter cartridge to leak and result in property damage.

Water Filter

Model: Haier HRXWF

- ▶ System certified by IAPMO R&T against NSF/ANSI Standards 42, 53, 401 and P473 for the reduction of claims specified on the performance data sheet and at iapmort.org.
- ▶ Actual performance may vary with local water conditions.

Application Guidelines/Water Supply Parameters

Service Flow: 0.5 gpm (1.89 lpm)

Water Supply: Potable Water

Water Pressure: 25-120 psi (172-827 kPa)

Water Temperature: 0.6°C-38°C

Capacity: 170 gallons (643.5 liter)



It is essential that the manufacturer's recommended installation, maintenance and filter replacement requirements be carried out for the product to perform as advertised. See Installation Manual for Warranty information.

Notice

While the testing was performed under standard laboratory conditions, actual performance may vary. Replacement Cartridge: HRXWF For estimated costs of replacement elements please visit our website at www.haierparts.eu.

WARNING!

- ▶ To reduce the risk associated with ingestion of contaminants:
- ▶ Do not use with water that is microbiologically unsafe or of unknown quality without adequate disinfection before and after the system. Systems certified for cyst reduction may be used on disinfected water that may contain filterable cysts.

Notice

To reduce the risk of water leakage or flooding, and to ensure optimal filter performance:

- ▶ Read and follow use instructions before installation and use of this system.
- ▶ Installation and use MUST comply with all state and local plumbing codes.
- ▶ Do not install if water pressure exceeds 120 psi (827 kPa). If your water pressure exceeds 80 psi (552 kPa), you must install a pressure-limiting valve. Contact a plumbing professional if you are uncertain how to check your water pressure.
- ▶ Do not install where water hammer conditions may occur. If water hammer conditions exist you must install a water hammer arrester. Contact a plumbing professional if you are uncertain how to check for this condition.
- ▶ Do not install on hot water supply lines. The maximum operating water temperature of this filter system is 38°C.
- ▶ Protect filter from freezing. Drain filter when temperatures drop below 0.6°C.
- ▶ Change the disposable filter cartridge every six months or sooner if you observe a noticeable reduction in water flow rate.
- ▶ Failure to replace the disposable filter cartridge at recommended intervals may lead to reduced filter performance and cracks in the filter housing, causing water leakage or flooding.
- ▶ This System has been tested according to NSF/ANSI 42, 53, 401 and P473 for the reduction of the substances listed below. The concentration of the indicated substances in water entering the system was reduced to a concentration less than or equal to the permissible limit for water leaving the system, as specified in NSF/ANSI 42, 53, 401 and P473.



Many occurring problems could be solved by yourself without specific expertise. In case of a problem please check all shown possibilities and follow below instructions before you contact an after sales service. See CUSTOMER SERVICE.



WARNING!

- ▶ Before maintenance, deactivate the appliance and disconnect the mains plug from the mains socket.
- ▶ Electrical equipment should be serviced only by qualified electrical experts, because improper repairs can cause considerable consequential damages.
- ▶ A damaged supply should only be replaced by the manufacturer, its service agent or similarly qualified persons in order to avoid a hazard.

Problem	Possible Cause	Possible Solution
The compressor does not work.	<ul style="list-style-type: none"> • Mains plug is not connected in the mains socket. • The appliance is in the defrosting cycle 	<ul style="list-style-type: none"> • Connect the mains plug. • This is normal for an automatic defrosting
The appliance runs frequently or runs for a too long period of time.	<ul style="list-style-type: none"> • The indoor or outdoor temperature is too high. • The appliance has been off power for a period of time. • A door of the appliance is not tightly closed. • The door has been opened too frequently or for too long. • The temperature setting for the freezer compartment is too low. • The door gasket is dirty, worn, cracked or mismatched. • The required air circulation is not guaranteed. 	<ul style="list-style-type: none"> • In this case, it is normal for the appliance to run longer. • Normally, it takes 8 to 12 hours for the appliance to cool down completely. • Close the door/drawer and ensure the appliance is located on a level ground and there is no food or container jarring the door. • Do not open the door/drawer too frequently. • Set the temperature higher until a satisfactory refrigerator temperature is obtained. It takes 24 hours for the refrigerator temperature to become stable. • Clean the door/drawer gasket or replace them by the customer service. • Ensure adequate ventilation.
The inside of the refrigerator is dirty and/ or smells.	<ul style="list-style-type: none"> • The inside of the refrigerator needs cleaning. • Food of strong odour is stored in the refrigerator. 	<ul style="list-style-type: none"> • Clean the inside of the refrigerator. • Wrap the food thoroughly.



Problem	Possible Cause	Possible Solution
The appliance makes abnormal sounds.	<ul style="list-style-type: none">• The appliance is not located on level ground.• The appliance touches some object around it.	<ul style="list-style-type: none">• Adjust the feet to level the appliance.• Remove objects around the appliance.
It is not cold enough inside the appliance.	<ul style="list-style-type: none">• The temperature is set too high. Too warm goods has been stored.• Too much food has been stored at one time.• The goods are too close to each other.• A door/drawer of the appliance is not tightly closed.• The door/drawer has been opened too frequently or for too long.	<ul style="list-style-type: none">• Reset the temperature.• Always cool down goods before storing them.• Always store small quantities of food.• Leave a gap between several foods allowing air flowing.• Close the door/drawer.• Do not open the door/drawer too frequently.
It is too cold inside the appliance.	<ul style="list-style-type: none">• The temperature is set too low. The Super-Frz/Super-Coolfunction is activated or is running too long.	<ul style="list-style-type: none">• Reset the temperature.• Switch off the Super-Frz/Super-Cool function
Moisture formation on the inside of the refrigerator compartment.	<ul style="list-style-type: none">• The climate is too warm and toodamp.• A door/drawer of the appliance is not tightly closed.• The door/drawer has been opened too frequently or for too long.• Food containers or liquids are left open.	<ul style="list-style-type: none">• Increase the temperature.• Close the door/drawer.• Do not open the door/drawer too frequently.• Let hot foods cool to room temperature and cover foods and liquids.
Moisture accumulates on the refrigerators outside surface or between the doors/door and drawer.	<ul style="list-style-type: none">• The climate is too warm and too damp.• The door is not closed tightly. The cold air in the appliance and the warm air outside it conden sates.	<ul style="list-style-type: none">• This is normal in damp climate and will change when the humidity decreases.• Ensure that he door/drawer is tightly shut.



Troubleshooting

Problem	Possible Cause	Possible Solution
Strong ice and frost in the freezer compartment.	<ul style="list-style-type: none">• The goods were not adequately packaged.• A door/drawer of the appliance is not tightly closed.• The door/drawer has been opened too frequently or for too long.• The door/drawer gasket is dirty, worn, cracked or mismatched.• Something on the inside prevents the door/drawer to close properly.	<ul style="list-style-type: none">• Always pack the goods well.• Close the door/drawer.• Do not open the door/drawer too frequently.• Clean the door/drawer gasket or replace them by new ones.• Reposition the shelves, door racks, or internal containers to allow the door/drawer to close.
The sides of the cabinet and door strip get warm.	<ul style="list-style-type: none">• -	<ul style="list-style-type: none">• This is normal.
The appliance makes abnormal sounds.	<ul style="list-style-type: none">• The appliance is not located on level ground.• The appliance touches some object around it.	<ul style="list-style-type: none">• Adjust the feet to level the appliance.• Remove objects around the appliance.
A slight sound is to be heard similar to that of flowing water.	<ul style="list-style-type: none">• -	<ul style="list-style-type: none">• This is normal.
You will hear an alarm beep.	<ul style="list-style-type: none">• The fridge storage compartment door is open.	<ul style="list-style-type: none">• Close the door.
You will hear a faint hum.	<ul style="list-style-type: none">• The anti-condensation system is working	<ul style="list-style-type: none">• This prevents condensation and is normal
The interior lighting or cooling system does not work.	<ul style="list-style-type: none">• Mains plug is not connected in the mains socket.• The power supply is not intact.• The LED-lamp is out of order.	<ul style="list-style-type: none">• Connect the mains plug.• Check the electrical supply to the room. Call the local electricity company!• Please call the service for changing the lamp.
Water leaking or dripping from the water dispenser spout.	<ul style="list-style-type: none">• The water tank is not installed correctly• The water dispenser spout is not screwed tight to the tank.• The white silicon O ring is missing from the water spout.	<ul style="list-style-type: none">• Refit the water tank into the fridge door, ensure it is pushed fully into the door.• The water spout is screwed in firmly to the water tank.• Check the water spout has a white silicon O ring at the tank end before fitting the water spout to the water tank.



To contact the technical assistance, visit our website: <https://corporate.haier-europe.com/en/>
Under the section "website", choose the brand of your product and your country. You will be redirected to the specific website where you can find the telephone number and form to contact the technical assistance.

Power interruption

In the event of a power cut, food should remain safely cold for about 5 hours. Follow these tips during a prolonged power interruption, especially in summer:

- ▶ Open the door/drawer as few times as possible.
- ▶ Do not put additional food into the appliance during a power interruption.
- ▶ If prior notice of a power interruption is given and the interruption duration is longer than 5 hours, make some ice and put it in a container in the top of the refrigerator compartment.
- ▶ An inspection of the goods is required immediately after the interruption.
- ▶ As temperature in the refrigerator will rise during a power interruption or other failure, the storage period and edible quality of food will be reduced. Any food that defrosts should be either consumed, or cooked and refrozen (where suitable) soon afterwards in order to prevent health risks.



NOTICE: Memory function during power interruption

After restoration of power the appliance continues with the settings that were set before the power failure.

Unpacking



WARNING!

- ▶ The appliance is heavy. Always handle with at least two persons.
- ▶ Keep all packaging materials out of children's reach and dispose them in an environmentally friendly manner.
- ▶ Take the appliance out of the packaging.
- ▶ Remove all packaging materials.

Environmental conditions

The room temperature should always be between 10°C and 43°C, since it can influence the temperature inside the appliance and its energy consumption. Do not install the appliance near other heat-emitting appliances (ovens, refrigerators) without isolation.

- Extended temperate (SN): this refrigerating appliance is intended to be used at ambient temperatures ranging from 10°C to 32°C;
- Temperate (N): this refrigerating appliance is intended to be used at ambient temperatures ranging from 16°C to 32°C;
- Subtropical (ST): this refrigerating appliance is intended to be used at ambient temperatures ranging from 16°C to 38°C;

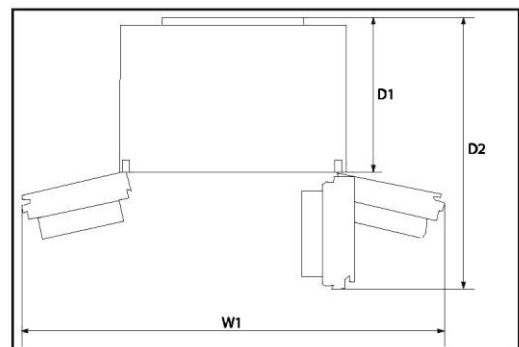
Space requirement

Required space when door is opened:

W1 = 157.8 cm

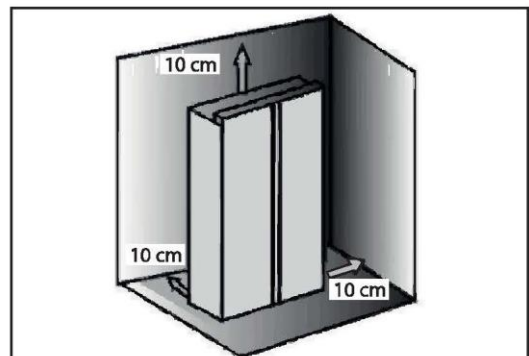
D1 = 62.9 cm

D2 = 117.3 cm



Ventilation cross-section

To achieve sufficient ventilation of the appliance for safety reasons, the information of the required ventilation cross sections must be observed.

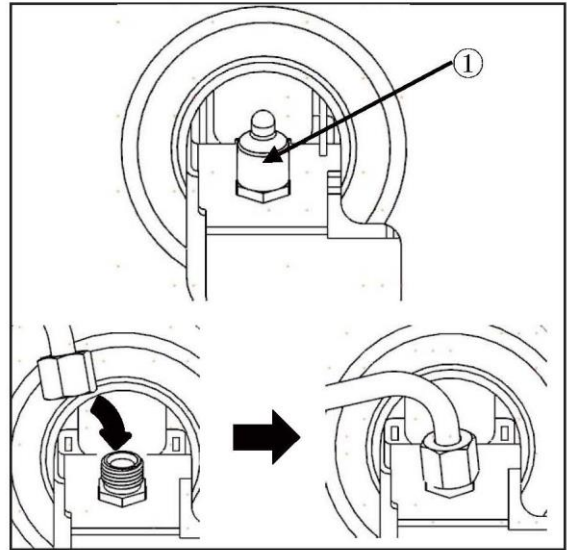


NOTICE

For a free standing appliance: this refrigerating appliance is not intended to be used as a built-in appliance.

Connecting water to the appliance

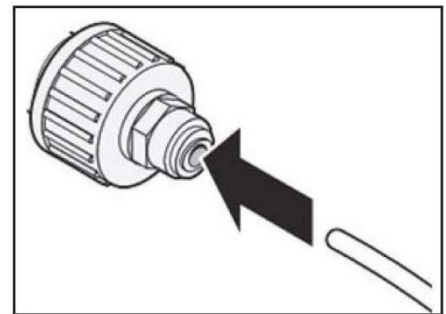
1. Remove the rubber plug (1) from the water inlet valve.
2. Firmly push the water tube onto the water inlet valve and tighten up the collar nut. This water pipe needs to be cut from the middle and used, and the other section is used as a spare part.



Connecting to the water tap

This feature is only available on some models.

1. Push the water tube into the hole of the tap connector supplied in the accessories. The pipe should be held firmly whilst the connector is pushed onto the pipe.
2. Ensure that the rubber washer is fitted to the inside of the tap connector before screwing it onto the tap.
 - ▶ A separate connector or adaptor may need to be purchased if your tap fitting does not match the thread size of the connector provided.



Checking the Water Connection

This feature is only available on some models.

- ▶ Turn on the water supply and switch on the appliance. Carefully check all fittings for possible leaks due to poorly fitted hoses.
- ▶ Press and hold the 3Sec. Filter Reset button for three seconds. The new water filter has been activated.
- ▶ Place a cup under the water dispenser to verify that water is flowing through the appliance.
- ▶ Check the connecting tube and joints for leaks once again.



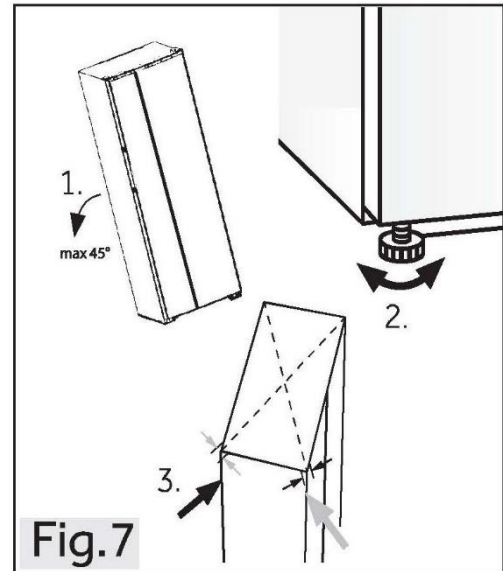
WARNING!

- ▶ Ensure that the connections are always firm, dry and leak free.
- ▶ Make sure the hose is never crushed, kinked, or twisted.

Aligning the appliance

The appliance should be placed on a flat and solid surface.

1. Tit the appliance slightly backwards (Fig.7).
2. Set the feet to the desired level. Make sure the distance to the wall on the hinge sides is at least 10 cm.
3. The stability can be checked by alternately bumping on the diagonals. The slightly swaying should be the same in both directions. Otherwise the frame can warp possible leaking door seals are the result. A low tendency to the rear facilitates the closing of the doors.

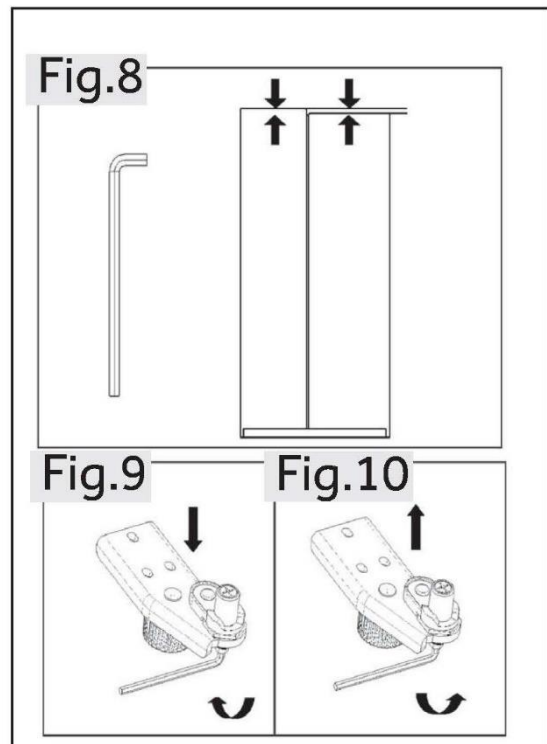


Fine tuning of the doors

If the doors are still not in one level after levelling the doors by the feet, this mismatch can be remedied by turning the hinge lifting shaft at the right bottom corner of refrigerating door with a spanner (Fig.8)

Clockwise turn lifting shaft with spanner to lower door height (Fig.9).

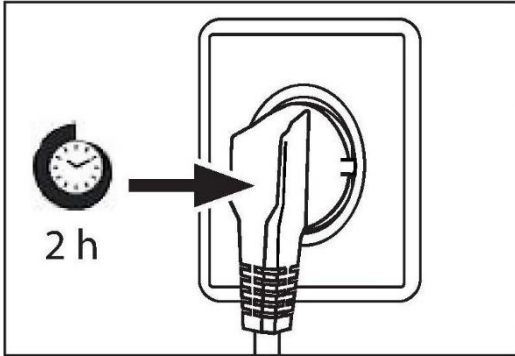
Anticlockwise turn lifting shaft with spanner to lift door height (Fig.10).





WARNING!

Do not adjust the hinge lifting shaft excessively to a height which might cause the shaft to leave its original locked position. (Adjustable height range: 3 mm)



Waiting time

To the maintenance-free lubrication oil is located in the capsule of the compressor. This oil can get through the closed pipe system during slanting transport. Before connecting the appliance to the power supply you have to wait at least 2 hours so that the oil runs back into the capsule.

Electrical connection

Before each connection check if:

- ▶ power supply, socket and fusing are appropriate to the rating plate.
- ▶ the power socket is earthed and no multi-plug or extension.
- ▶ the power plug and socket are strictly according.

Connect the plug to a properly installed household socket.



WARNING!

To avoid risks a damaged power cord must be replaced by the customer service (see warranty card).

Removing and installing the doors

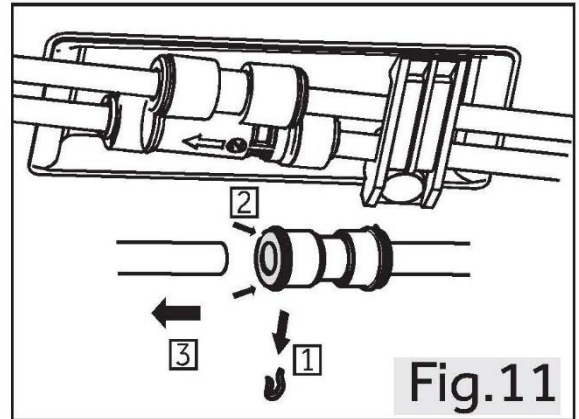
In the event that you need to remove the appliance doors, please follow the door removal and installation instructions below.



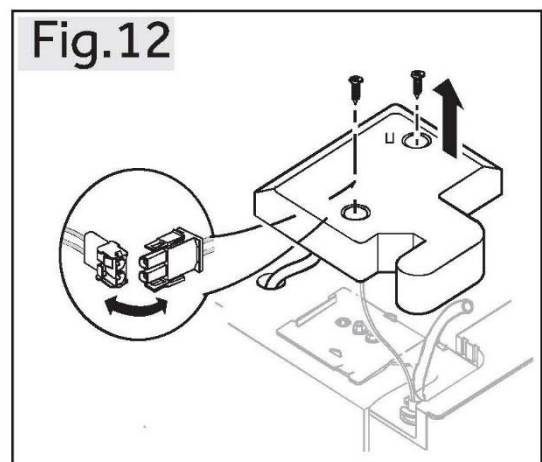
WARNING!

- ▶ Before any operation, deactivate the appliance and disconnect the mains plug from the mains socket.
- ▶ Block the water supply.
- ▶ The appliance is heavy. Always handle with at least two persons.
- ▶ Do not tilt the appliance more than 45° or place it horizontally on the ground.
- ▶ The door may fall over and hurt people, or get damaged during these steps, please pay more attention when removing and installing doors.

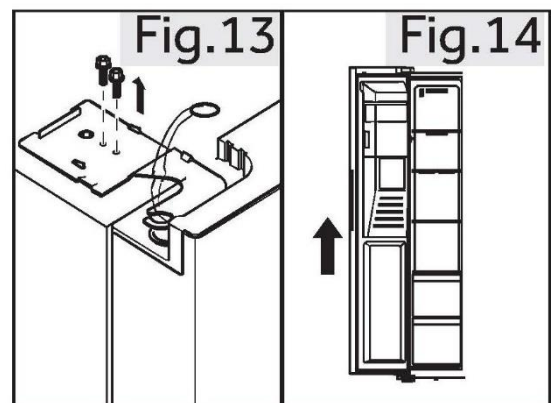
1. Release the left side of two water couplers on the front left corner at the bottom of appliance: press and hold in the collar as shown and remove the water pipe. (Fig.11).



2. Undo the hinge cover screw and remove the cover (Fig.12). When removing the freezer door, disconnect all wires except for the grounding wire.



3. Undo the screws holding the upper hinge in position and then remove the hinge(Fig.13).
4. Lift the door to remove it (Fig. 14). When removing the freezer door, lift it high enough to pull out the water connection from the bottom of the appliance.
5. Refit the door by reversing the removal steps. Ensure that the grounding cable will be fixed by the screw.
6. Refit the water connection.




NOTICE: Fridge door

The pictures show the removing of the freezer compartment door. For the fridge door please use the corresponding parts on the other side.



Product fiche according to regulation EU No. 2019/2016

Brand	Haier
Model name / identifier	HSW59F18DIMM HSW79F18DIPT
Category of the model	Refrigerator-freezer
Energy efficiency class	D
Annual energy consumption(kWh/year) ⁽¹⁾	267
Total volume(L)	601
Volume refrigerator(L)	391
Volume freezer(L)	210
Star rating	
Temperature of other compartments >14°C	Non applicable
Frost-free system	Yes
Freezing capacity(kg/24h)	10
Climate rating ⁽²⁾	SN-N-ST
Noise emission class and airborne acoustical noise emissions(db(A) re 1pW)	C(36)
Temperature rise time (h)	5
Ice making capacity	0.8 kg/24h
Type of appliance	freestanding



Technical data

Explanations:

• Yes, featured

(1) Based on the results of the standards conformance test over 24 hours. The actual consumption depends on the use and the location of the appliance.

(2) Climate rating SN: This appliance is intended for use in an ambient temperature of between +10°C and +32°C

Climate rating N: This appliance is intended for use in an ambient temperature of between +16°C and +32°C

Climate rating ST: This appliance is intended for use in an ambient temperature of between +16°C and +38°C

Additional technical data

Voltage / Frequency	220-240V~/50Hz
Input current (A)	1.8
Defrosting input power (W)	220
Main fuse (A)	15
Coolant	R600a
Dimensions (H/W/D in mm)	1775/905/726



We recommend our Haier Customer Service and the use of original spare parts.
If you have a problem with your appliance, please first check section TROUBLESHOOTING.

If you cannot find a solution there, please contact

- ▶ your local dealer or
- ▶ our European Call Service-Center (see listed phone numbers below) or
- ▶ the Service & Support area at www.haier.com where you can activate the service claim and also find FAQs.

To contact our Service, ensure that you have the following data available.
The information can be found on the rating plate.

Model _____

Serial No. _____

Also check the Warranty Card supplied with the product in case of warranty.

European Call Service-Center		
Country*	Phone number	Costs
Haier Italy (IT)	199 100912	
Haier Spain (ES)	902 509 123	
Haier Germany (DE)	0180539 39 99	<ul style="list-style-type: none">• 14 Ct/Min Landline• max 42 Ct/Min Mobile
Haier Austria (AT)	0820 001 205	<ul style="list-style-type: none">• 14,53 Ct/Min Landline• max 20 Ct/Min all others
Haier United Kingdom (UK)	0333 003 8122	
Haier France (FR)	0980 406 409	



Customer service

* For other countries please refer to www.haier.com

Haier Europe Trading S.r.l

Branch UK

Westgate House, Westgate, Ealing

London, W5 1YY

*Duration of the guarantee of the refrigerating appliance:

Minimum guarantee is: 2 years for EU Countries, 3 years for Turkey, 1 year for UK, 1 year for Russia, 3 years for Sweden, 2 years for Serbia, 5 years for Norway, 1 year for Morocco, 6 months for Algeria, Tunisia no legal warranty required.

*The period of spare parts for the repair of the appliance:

Thermostats, temperature sensors, printed circuit boards and light sources are available for a minimum period of seven years after placing the last unit of the model on the market.

Door handles, door hinges, trays and baskets for a minimum period of seven years and door gaskets for a minimum period of 10 year, after placing the last unit of the model on the market.

*For further information about the product, please consult <https://eprel.ec.europa.eu/> or scan the QR on the energy label supplied with the appliance.

Haier



Benutzerhandbuch

Kühl-Gefrierkombination

HSW59F18DIMM

HSW79F18DIPT



WARNING:Risk of fire/flammable material

EN

The symbol indicates there is a risk of fire since flammable materials are used. Take care to avoid causing a fire by igniting flammable material.

WARNUNG: Brandgefahr/brennbares Material

DE

Das Symbol zeigt an, dass Brandgefahr besteht, da brennbare Materialien verwendet werden. Achten Sie darauf, dass kein Feuer entstehen kann, indem brennbares Material sich entzündet.



Inhalt

Sicherheitsinformationen	50
Bestimmungsgemäße Verwendung	55
Produktbeschreibung.....	56
Bedienfeld.....	57
Verwendung	58
Ausstattung	71
Pflege und Reinigung	73
Fehlerbehebung.....	78
Installation	82
Technische Daten.....	87
Kundendienst	89



Vielen Dank



Vielen Dank für den Kauf eines Haier-Produkts.

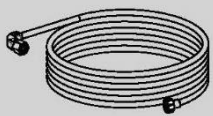
Bitte lesen Sie diese Anweisungen sorgfältig durch, bevor Sie dieses Gerät benutzen. Die Anleitung enthält wichtige Informationen, die Ihnen helfen, das Gerät optimal zu nutzen und eine sichere und ordnungsgemäße Installation, Verwendung und Wartung zu gewährleisten.

Bewahren Sie diese Anleitung an einem geeigneten Ort auf, damit Sie jederzeit für die sichere und ordnungsgemäße Verwendung des Geräts darauf zurückgreifen können.

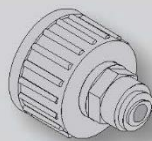
Wenn Sie das Gerät verkaufen, weggeben oder bei einem Umzug zurücklassen, vergewissern Sie sich, dass diese Anleitung auch beigelegt wird, damit sich der neue Besitzer mit dem Gerät und den Sicherheitshinweisen vertraut machen kann.

Zubehör

Überprüfen Sie das Zubehör und die Dokumentation gemäß dieser Liste:



*Wasserleitung



*Wasseranschluss



Energie-
Kennzeichnung



Garantiekarte



Kurzanleitung



WARNUNG - Wichtige Sicherheitsinformationen



HINWEIS - Allgemeine Informationen und Tipps



Umweltinformationen



Entsorgung

Tragen Sie zum Schutz der Umwelt und der menschlichen Gesundheit bei. Die Verpackung zum Recyceln in die entsprechenden Behälter entsorgen. Unterstützen Sie das Recycling von Elektro- und Elektronik-Altgeräten. Entsorgen Sie Geräte, die mit diesem Symbol gekennzeichnet sind, nicht mit dem Hausmüll. Geben Sie das Produkt an Ihre lokale Recyclinganlage zurück oder wenden Sie sich an Ihre Stadtverwaltung.



WARNUNG!

Verletzungs- oder Erstickungsgefahr!

Kältemittel und Gase müssen fachgerecht entsorgt werden. Überprüfen Sie, dass der Schlauch des Kühlkreislaufs nicht beschädigt ist, bevor er ordnungsgemäß entsorgt wird. Trennen Sie das Gerät von der Stromversorgung. Trennen Sie das Netzkabel und entsorgen Sie es. Entfernen Sie die Fächer und Schubladen sowie die Türöffnung und die Dichtungen, um zu verhindern, dass Kinder und Haustiere im Gerät eingeschlossen werden.



Lesen Sie vor dem ersten Einschalten des Geräts folgende Sicherheitshinweise:



WARNUNG!

Vor der ersten Inbetriebnahme

- ▶ Vergewissern Sie sich, dass keine Transportschäden vorliegen.
- ▶ Entfernen Sie alle Verpackungsteile und bewahren Sie sie außerhalb der Reichweite von Kindern auf.
- ▶ Warten Sie vor dem Einschalten des Geräts mindestens zwei Stunden, damit der Kühlkreislauf auch sicher und effektiv arbeitet.
- ▶ Das Gerät immer mit mindestens zwei Personen transportieren, da es schwer ist.

Installation

- ▶ Das Gerät sollte an einem gut belüfteten Ort aufgestellt werden. Idealerweise müssen mindestens 10 cm rund um das Gerät frei bleiben.
- ▶ Stellen Sie das Gerät niemals in einem feuchten Bereich oder an einem Ort auf, wo es mit Wasser nassgespritzt werden könnte. Reinigen Sie Wasserspritzer und Flecken mit einem weichen, sauberen Tuch.
- ▶ Stellen Sie das Gerät nicht in direktem Sonnenlicht oder in der Nähe von Hitzequellen (z. B. Herden, Heizungen) auf.
- ▶ Installieren und richten Sie das Gerät in einem Bereich ein, der für seine Größe und Verwendung geeignet ist.
- ▶ Lüftungsschlitze am Gerät oder in der Einbaustruktur freihalten.
- ▶ Stellen Sie sicher, dass die elektrischen Informationen auf dem Typenschild der Stromversorgung entsprechen. Ist dies nicht der Fall, wenden Sie sich an einen Elektriker.
- ▶ Das Gerät wird über eine 220-240 V Wechselspannung/50 Hz betrieben. Abnormale Spannungsschwankungen könnten dazu führen, dass das Gerät nicht angeht, der Temperaturregler oder Kompressor beschädigt wird, oder dass während des Betriebs ein abnormales Geräusch auftritt. In einem solchen Fall ist ein automatischer Regler anzubringen.
- ▶ Verwenden Sie keine Mehrfachsteckadapter und Verlängerungskabel.
- ▶ Keine Mehrfachsteckdosen oder Verlängerungen hinter dem Gerät platzieren.
- ▶ Stellen Sie sicher, dass das Netzkabel nicht durch den Kühlschrank eingeklemmt wird. Nicht auf das Netzkabel treten.



WARNUNG!

- ▶ Verwenden Sie eine separate, geerdete Steckdose für eine leicht zugängliche Stromversorgung. Das Gerät muss geerdet werden.
Nur für Großbritannien: Das Gerätenetzkabel ist mit einem 3-adrigen Stecker (Erdungsstecker) ausgestattet, der in eine 3-adrige Norm-Buchse (geerdet) passt. Den dritten Stift (Erdung) auf keinen Fall kappen oder entfernen. Das Gerät muss so installiert werden, dass der Stecker erreichbar ist.
- ▶ Den Kühlkreislauf nicht beschädigen.

Täglicher Gebrauch

- ▶ Dieses Gerät kann von Kindern ab 8 Jahren und Personen mit eingeschränkten körperlichen, sensorischen oder geistigen Fähigkeiten oder mangelnder Erfahrung und mangelndem Wissen benutzt werden, wenn diese in die sichere Bedienung des Geräts eingewiesen wurden oder beaufsichtigt werden und die damit verbundenen Gefahren verstanden haben.
- ▶ Kinder im Alter von 3 bis 8 Jahren dürfen Kühlschränke be- und entladen, aber nicht reinigen und installieren.
- ▶ Kinder unter 3 Jahren vom Gerät fernhalten, es sei denn, sie werden ständig beaufsichtigt.
- ▶ Kinder dürfen nicht mit dem Gerät spielen.
- ▶ Wenn Kohlegas oder ein anderes brennbares Gas in der Nähe des Geräts austritt, drehen Sie das Ventil des austretenden Gases ab. Öffnen Sie die Türen und Fenster, und ziehen Sie nicht den Netzstecker des Kühlschranks oder eines anderen Haushaltsgeräts.
- ▶ Beachten Sie, dass das Gerät für den Betrieb bei einer bestimmten Umgebungstemperatur zwischen 10 und 38°C eingestellt ist. Das Gerät funktioniert möglicherweise nicht ordnungsgemäß, wenn es über einen längeren Zeitraum bei einer Temperatur oberhalb oder unterhalb des angegebenen Bereichs betrieben wird.
- ▶ Stellen Sie keine instabilen Gegenstände (schwere Gegenstände, mit Wasser gefüllte Behälter) auf den Kühlschrank, um Verletzungen durch Herunterfallen oder elektrische Schläge durch Kontakt mit Wasser zu vermeiden.
- ▶ Ziehen Sie nicht an den Türfächern. Die Tür kann schief verzogen werden, das Flaschenregal kann herausgezogen werden, oder das Gerät kann umkippen.
- ▶ Die Tür nur mit den Griffen öffnen und schließen. Der Spalt zwischen den Türen sowie zwischen den Türen und dem Schrank ist sehr schmal. Stecken Sie nicht Ihre Hände in diese Bereiche, um zu vermeiden, dass Sie Ihre Finger eingeklemmt werden. Die Kühlschranktüren nur dann öffnen oder schließen, wenn keine Kinder im Bewegungsbereich der Tür stehen.



WARNUNG!

- ▶ Keine brennbaren, explosionsfähigen oder korrosiven Substanzen im Gerät oder in der Nähe verwenden.
- ▶ Keine Arzneimittel, Bakterien oder Chemikalien im Gerät lagern. Dieses Gerät ist ein Haushaltsgerät. Es wird davon abgeraten, Materialien zu lagern, die extreme Temperaturen erfordern.
- ▶ Lagern Sie niemals Flüssigkeiten in Flaschen oder Dosen (außer hochprozentige Spirituosen), insbesondere kohlen säurehaltige Getränke, im Gefrierschrank, da diese beim Einfrieren platzen können.
- ▶ Überprüfen Sie den Zustand der Lebensmittel, wenn die Temperatur im Gefrierschrank angestiegen ist.
- ▶ Keine unnötig niedrigen Temperaturen im Kühlschrank einstellen. Bei hohen Einstellungen kann es zu Minustemperaturen kommen. Achtung: Flaschen können platzen.
- ▶ Berühren Sie Gefriergut nicht mit nassen Händen (Handschuhe tragen). Verzehren Sie insbesondere Eis am Stiel nicht sofort nach der Entnahme aus dem Gefrierfach. Es besteht die Gefahr des Erfrierens oder der Bildung von Frostblasen an Mund und Zunge. ERSTE HILFE: Sofort unter fließend kaltes Wasser halten. Nicht mit Gewalt abziehen!
- ▶ Berühren Sie nicht die Innenfläche des Gefrierfachs, insbesondere nicht mit nassen Händen, da Ihre Hände an der Oberfläche festfrieren könnten.
- ▶ Ziehen Sie den Gerätestecker aus der Steckdose, falls die Stromversorgung unterbrochen wird oder bevor Sie das Gerät reinigen. Warten Sie vor dem Neustart mindestens 7 Minuten, da durch häufiges Einschalten der Kompressor beschädigt werden kann.
- ▶ Im Inneren des Haushaltsgeräts keine elektrischen Geräte benutzen, es sei denn, sie sind vom Hersteller empfohlen. Wartung / Reinigung
- ▶ Kinder müssen beaufsichtigt werden, wenn sie das Gerät reinigen und warten.
- ▶ Trennen Sie das Gerät von der Stromversorgung, bevor Sie eine routinemäßige Wartung durchführen. Warten Sie vor dem Neustart mindestens 5 Minuten, da durch häufiges Einschalten der Kompressor beschädigt werden kann.



WARNUNG!

- ▶ Fassen Sie beim Herausziehen des Gerätesteckers aus der Steckdose, den Stecker und nicht das Kabel an.
- ▶ Reinigen Sie das Gerät nicht mit harten Bürsten, Drahtbürsten, Reinigungspulver, Benzin, Amylacetat, Aceton und ähnlichen organischen Lösungen, Säure oder Alkalilösungen. Reinigen Sie das Gerät mit einem speziellen Reinigungsmittel für Kühlgeräte, um Beschädigungen zu vermeiden.
- ▶ Kratzen Sie Frost und Eis nicht mit scharfkantigen Gegenständen ab. Verwenden Sie keine Sprays, elektrischen Heizgeräte, Haartrockner zum Abtauen oder Dampfreiniger im Gerät, um Beschädigungen der Kunststoffteile zu vermeiden.
- ▶ Keine mechanischen oder sonstigen Hilfsmittel verwenden, um den Abtauvorgang zu beschleunigen, es sei denn, dies ist vom Hersteller so empfohlen.
- ▶ Wenn das Stromkabel beschädigt ist, muss es vom Hersteller, von seinem Service-Mitarbeiter oder einer gleichwertig qualifizierten Person ausgetauscht werden, um jegliches Risiko zu vermeiden.
- ▶ Versuchen Sie nicht, das Gerät selbst zu reparieren, zu zerlegen oder zu verändern. Im Falle einer Reparatur wenden Sie sich bitte an unseren Kundendienst.
- ▶ Entfernen Sie den Staub auf der Geräterückseite mindestens einmal im Jahr, um Brandgefahr und einen erhöhten Energieverbrauch zu vermeiden.
- ▶ Das Gerät während der Reinigung nicht besprühen oder mit Wasser beschütten.
- ▶ Das Gerät nicht mit Wasser besprühen oder mit Dampf reinigen.
- ▶ Die kalten Einlegeböden aus Glas nicht mit heißem Wasser reinigen. Plötzliche Temperaturschwankungen können dazu führen, dass das Glas zerspringt.

Information zu Kältemittelgas



WARNUNG!

Das Gerät enthält das entzündliche Kältemittel ISOBUTAN (R600a). Stellen Sie sicher, dass der Kühlkreislauf während des Transports oder der Installation nicht beschädigt wird. Auslaufendes Kältemittel kann Augenverletzungen verursachen oder sich entzünden. Falls Schäden aufgetreten sind, halten Sie sich von offenen Brandquellen fern, lüften Sie den Raum gründlich, stecken Sie die Netzkabel des Geräts oder eines anderen Geräts nicht ein oder aus. Informieren Sie den Kundendienst.

Falls die Augen mit dem Kältemittel in Kontakt kommen, sofort unter fließendem Wasser ausspülen und den Augenarzt verständigen.



Bestimmungsgemäße Verwendung

Dieses Gerät ist zum Kühlen und Gefrieren von Lebensmitteln bestimmt. Es ist ausschließlich für den Einsatz in Haushalten und ähnlichen Bereichen konzipiert, wie z. B. in Personalküchen in Geschäften, Büros und anderen Arbeitsumgebungen, auf Bauernhöfen und in Hotels, Motels und anderen wohnähnlichen Umgebungen sowie in Bed-and-Breakfasts und fürs Catering. Das Gerät ist nicht für die kommerzielle oder industrielle Nutzung bestimmt.

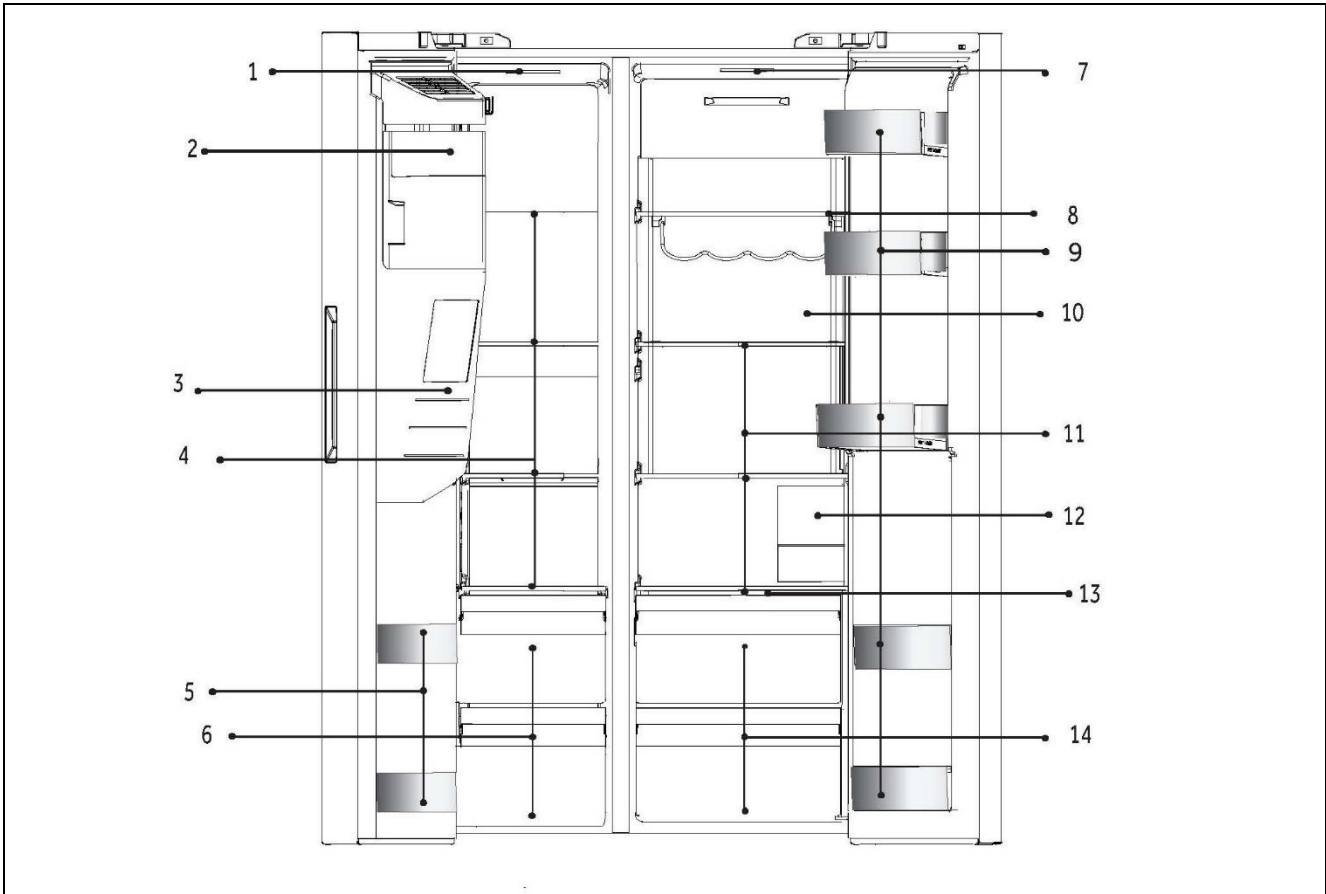
Änderungen oder Anpassungen am Gerät sind nicht erlaubt. Eine unsachgemäße Verwendung kann zu Gefahren und zum Verlust von Garantieansprüchen führen.

Normen und Richtlinien und

Dieses Produkt erfüllt die Anforderungen aller geltenden EG-Richtlinien mit den entsprechenden harmonisierten Normen und Standards Großbritanniens, die eine CE- und UKCA-Kennzeichnung vorsehen.

i Hinweis

Aufgrund von technischen Änderungen und unterschiedlichen Modellen können einige der Abbildungen in dieser Anleitung von Ihrem Modell abweichen.



A: Gefrierfach

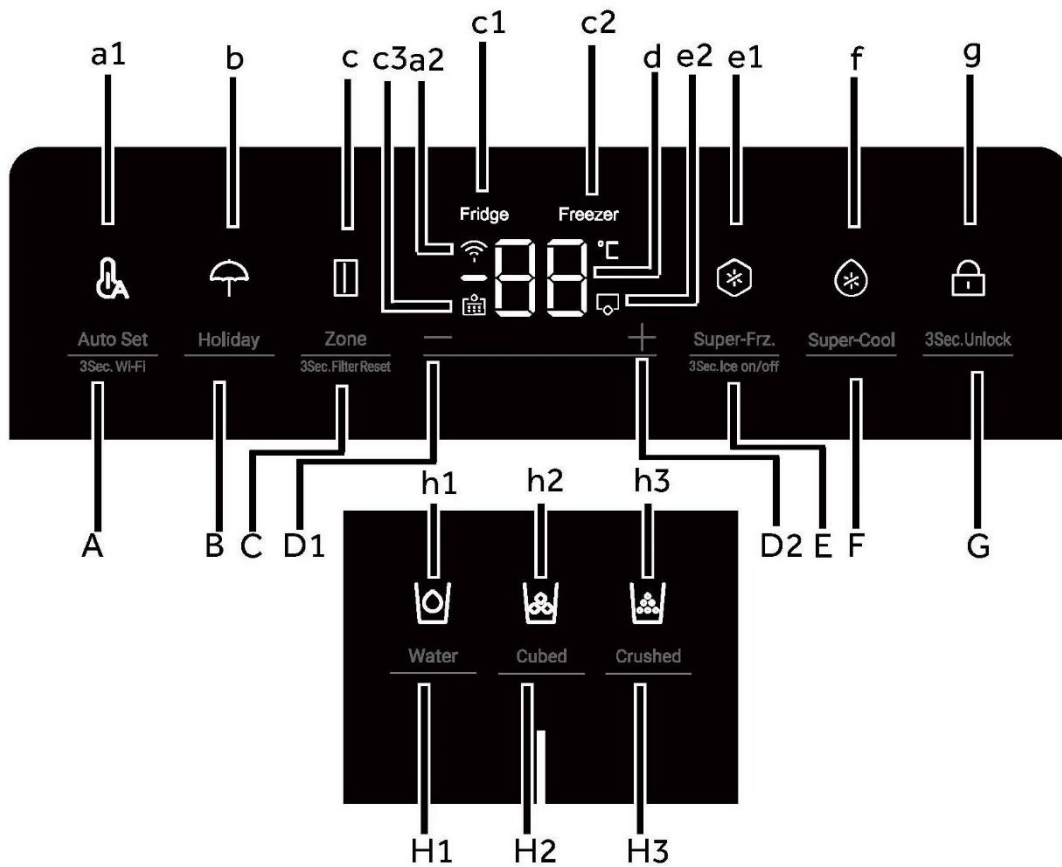
- 1 Deckenleuchte
- 2 Eismaschine mit Eisbehälter
- 3 Wasser- und Eisspender
- 4 Einlegeböden aus Glas
- 5 Flaschenhalter
- 6 Schubladen

B: Kühlfach des Kühlschranks

- 7 Deckenleuchte
- 8 Weinablage
- 9 Flaschenhalter
- 10 Hintere Leuchte(HSW79F18DIPT)
- 11 Einlegeböden aus Glas
- 12 Wasserfilter
- 13 Abdeckungsplatte Wet Zone
- 14 Schubladen



Bedienfeld



Tasten:

- A Auto Set-Funktion/3Sec.Wi-Fi
- B Holiday-Funktion
- C Zonenauswahl/3Sec.Filter Reset
- D1 Temperatureinstellung Taste „-“
- D2 Temperatureinstellung Taste „+“
- E Super-Freeze-Funktion/3Sek. Eis an/aus
- F Super-Cool-Funktion
- G Wahlschalter für die Bedienfeldsperre
- H1 Auswahl Wassereinlass-Funktion
- H2 Auswahl Würfeis-Funktion
- H3 Auswahl Gecrushtes-Eis-Funktion

Anzeigen:

- a1 Auto Set-Modus
- a2 WLAN-Funktion
- b Holiday-Modus
- c Zone-Anzeige
- c1 Kühlschrank-Anzeige
- c2 Gefrierschrankanzeige
- c3 Filterrücksetzfunktion
- d Temperaturanzeige
- e1 Super-Freeze-Modus
- e2 Eiswürfelbereiter-Modus
- f Super-Cool-Modus
- g Bedienfeldsperre
- h1 Wassereinlass-Funktion
- h2 Würfeis-Funktion
- h3 Gecrushtes-Eis-Funktion



Vor der ersten Inbetriebnahme

- ▶ Entfernen Sie sämtliches Verpackungsmaterial, bewahren Sie es außerhalb der Reichweite von Kindern auf und entsorgen Sie es umweltfreundlich.
- ▶ Reinigen Sie das Gerät innen und außen mit Wasser und einem milden Reinigungsmittel, bevor Sie Lebensmittel hineinlegen.
- ▶ Warten Sie nach dem Nivellieren und Reinigen mindestens 2-5 Stunden, bevor Sie das Gerät an die Stromversorgung anschließen. Siehe Abschnitt INSTALLATION.
- ▶ Kühlen Sie die Fächer auf hoher Stufe vor, bevor Sie die Lebensmittel einlegen. Die Power-Freeze-Funktion sorgt für eine schnelle Abkühlung des Gefrierfachs.
- ▶ Die Kühlschranktemperatur und die Gefrierschranktemperatur werden automatisch auf 5°C bzw. -18°C eingestellt. Dies sind die empfohlenen Einstellungen. Falls gewünscht, können Sie diese Temperatur manuell ändern. Siehe EINSTELLEN DER TEMPERATUR.

Sensortasten

Die Tasten auf dem Bedienfeld sind Sensortasten, die schon bei leichter Berührung mit dem Finger ansprechen.

Gerät ein-/ausschalten

Das Gerät ist sofort in Betrieb, wenn es an die Stromversorgung angeschlossen wird.

Die angezeigten Temperaturen zeigen die eingestellten Temperaturen im Fach an.

Möglicherweise ist die Bedienfeldsperre aktiv.



Hinweis

Wenn das Gerät, nachdem es von der Hauptstromversorgung getrennt wurde, eingeschaltet wird, kann es bis zu 12 Stunden dauern, bis die richtigen Temperaturen erreicht sind.

Räumen Sie das Gerät vor dem Ausschalten aus. Schalten Sie das Gerät aus, indem Sie den Netzstecker aus der Steckdose ziehen.



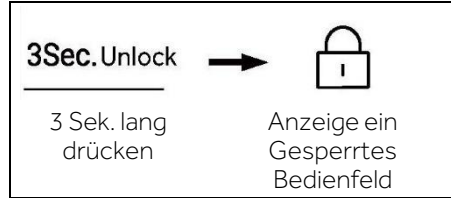
HINWEIS

Wenn der Kühlschrank zum ersten Mal eingeschaltet wird, leuchtet die Anzeige auf. Kühl- und Gefriertemperatur werden automatisch auf 5°C bzw. -18°C eingestellt.

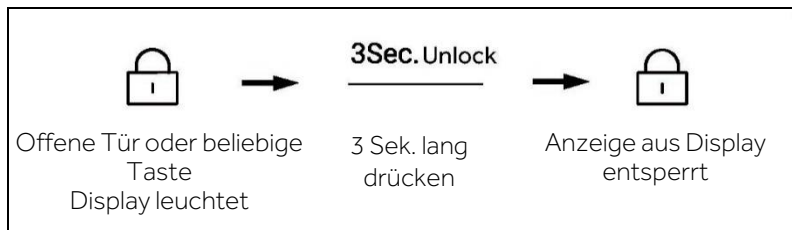


Bedienfeld sperren/entsperren

1. Automatische Sperre: Wenn die Kühlschranktür und die Gefrierschranktür geschlossen sind und innerhalb von 30 Sekunden keine Tastenbetätigung erfolgt, wird der Bildschirm automatisch gelöscht und gesperrt.



2. Manuelle Sperre: Wenn der Bildschirm entsperrt ist, drücken Sie die Taste „G“ (Auswahl der Bedienfeldsperre) und halten Sie sie 3 Sekunden lang gedrückt; der Summer ertönt einmal, die Anzeige „g“ (Bedienfeldsperre) leuchtet auf und das Display ist gesperrt.



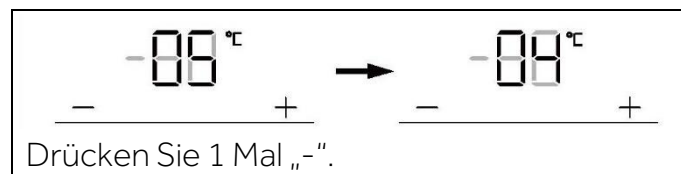
Temperatur einstellen

Die Temperaturen im Inneren werden durch folgende Faktoren beeinflusst:

- ▶ Umgebungstemperatur
- ▶ Häufigkeit der Türöffnung
- ▶ Menge der gelagerten Lebensmittel
- ▶ Geräteinstallation

Temperatur für Kühlschrank einstellen

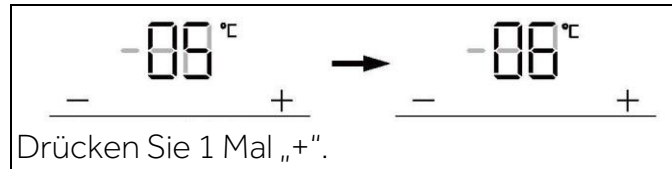
1. Wenn der Bildschirm entsperrt ist, drücken Sie die Taste „C“ (Zonenauswahl). Der Summer ertönt einmal, die Anzeige „c1“ (Kühlschrankanzeige) blinkt, und dann wird der Temperatureinstellungsmodus des Kühlschranks aktiviert.
2. Drücken Sie die Taste „D1“ (Temperatureinstellungstaste „-“); der Summer ertönt einmal, die eingestellte Temperatur des Kühlschranks wird um 1 reduziert. Die Temperatur des Kühlschranks wird in der Reihenfolge „9°C > 8°C > 7°C > 6°C > 5°C > 4°C > 3°C > 2°C > 1°C“ angezeigt.





Einstellen der Temperatur für den Kühlschrank

3. Drücken Sie die Taste „D2“ (Temperatureinstellungstaste „+“). Der Summer ertönt einmal, die eingestellte Temperatur des Kühlschranks wird um 1 erhöht. Die Temperatur des Kühlschranks wird in der Reihenfolge „1°C > 2°C > 3°C > 4°C > 5°C > 6°C > 7°C > 8°C > 9°C“ angezeigt.



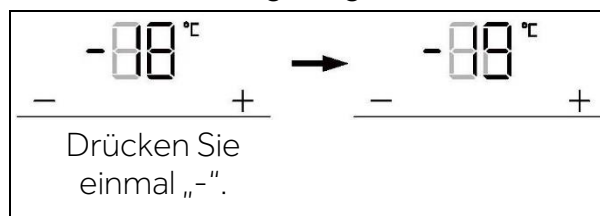
Hinweis

Wenn nach dem Einstellen der Temperatur innerhalb von 5 Sekunden kein Betätigungsvorgang erfolgt, ermittelt und speichert das System automatisch die eingestellte Temperatur.

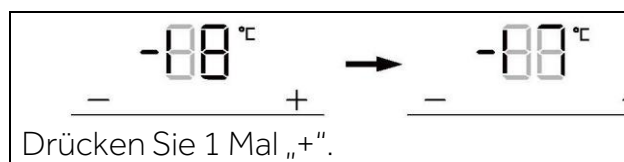
Temperatur für Gefrierschrank einstellen

1. Wenn der Bildschirm entsperrt ist, drücken Sie die Taste „C“ (Zonenauswahl). Der Summer ertönt einmal, die Anzeige „c2“ (Gefrierschrankanzeige) blinkt, und dann wird der Temperatureinstellungsmodus des Gefrierschranks aktiviert.

2. Drücken Sie die Taste „D1“ (Temperatureinstellungstaste „-“); der Summer ertönt einmal, die eingestellte Temperatur des Gefrierschranks wird um 1 reduziert. Die Temperatur des Gefrierschranks wird in der Reihenfolge „-14°C > -15°C > -16°C > -17°C > -18°C > -19°C > -20°C > -21°C > -22°C > -23°C > -24°C“ angezeigt.



3. Drücken Sie die Taste „D2“ (Temperatureinstellungstaste „+“). Der Summer ertönt einmal, die eingestellte Temperatur des Gefrierschranks wird um 1 erhöht. Die Temperatur des Gefrierschranks wird in der Reihenfolge „-24°C > -23°C > -22°C > -21°C > -20°C > -19°C > -18°C > -17°C > -16°C > -15°C > -14°C“ angezeigt.



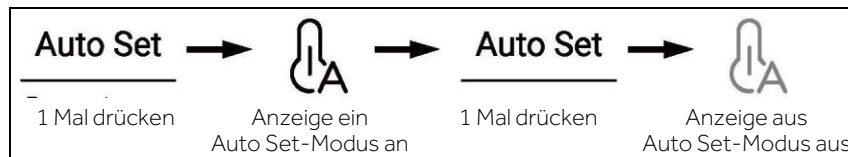
Hinweis

Wenn nach dem Einstellen der Temperatur innerhalb von 5 Sekunden kein Betätigungsvorgang erfolgt, ermittelt und speichert das System automatisch die eingestellte Temperatur.



Auto Set-Modus

1. Wenn der Bildschirm entsperrt ist, drücken Sie die Taste „A“ (Auswahl des Auto Set-Modus), der Summer ertönt einmal, die Anzeige „a1“ (Auto Set-Modus) leuchtet auf, und die Auto Set-Funktion wird eingeschaltet.
2. Wenn die Anzeige „a1“ (Auto Set-Modus) aufleuchtet, drücken Sie die Taste „A“ (Wahlschalter für den Auto Set-Modus), der Summer ertönt einmal, die Anzeige „a1“ (Auto Set-Modus) erlischt, und die Auto Set-Funktion wird ausgeschaltet.



Hinweis

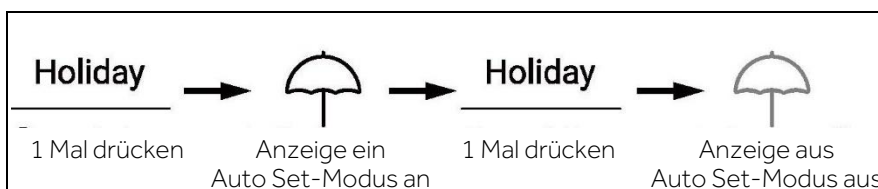
Im Auto Set-Modus kann die Kühl- oder Gefriertemperatur nicht eingestellt werden. Wenn entweder die Taste „D1“ (Temperatureinstellungstaste „-“) oder die Taste „D2“ (Temperatureinstellungstaste „+“) gedrückt wird, um die Temperatur des Kühl- oder Gefrierschranks einzustellen, blinkt die Anzeige „a1“ (Auto Set-Anzeige) und es ertönt ein Hinweis darauf, dass dieser Vorgang nicht durchgeführt werden kann.

Wenn im Auto Set-Modus die Funktion „Super-Cool“, „Super-Freeze“ oder „Holiday“ eingestellt ist, erlischt die Anzeige „a1“ (Auto Set-Modus), und die Auto Set-Funktion wird automatisch beendet.

Holiday-Modus

Der Holiday-Modus ist dafür gedacht, den Kühlschrank über einen längeren Zeitraum nicht zu benutzen. Wenn der Holiday-Modus eingeschaltet ist, wird der Gefrierschrank normal gesteuert, und die Temperatur des Kühlschranks wird automatisch auf 17 °C eingestellt. Die tatsächliche Temperatur ist nicht höher als 17 °C, wodurch ein durch Übertemperatur verursachter Geruch vermieden und gleichzeitig der Energieverbrauch gesenkt wird.

1. Wenn der Bildschirm entsperrt ist, drücken Sie die Taste „B“ (Auswahl des Holiday-Modus), der Summer ertönt einmal, die Anzeige „b“ (Holiday-Modus) leuchtet auf, und die Holiday-Funktion wird eingeschaltet.
2. Wenn die Anzeige „b“ (Holiday-Modus) leuchtet, drücken Sie die Taste „B“ (Auswahl des Holiday-Modus), der Summer ertönt einmal, die Anzeige „b“ (Holiday-Modus) erlischt, und die Holiday-Funktion wird ausgeschaltet.



Hinweis

Im Holiday-Status kann die Kühlschranktemperatur nicht eingestellt werden. Wenn entweder die Taste „D1“ (Temperatureinstellungstaste „-“) oder die Taste „D2“ (Temperatureinstellungstaste „+“) gedrückt wird, um die Temperatur des Kühlschranks einzustellen, blinkt die Anzeige „b“ (Holiday-Anzeige) und es ertönt ein Hinweis darauf, dass dieser Vorgang nicht durchgeführt werden kann.

Bevor Sie die Holiday-Funktion nutzen, leeren Sie bitte den Kühlschrank, um zu verhindern, dass Lebensmittel darin verderben. Wenn die Holiday-Funktion eingeschaltet ist, kann die Funktion „Auto Set“ oder die Funktion „Super-Cool“ nicht gleichzeitig eingeschaltet werden.

„Super-Cool“-Funktion

1. Wenn der Bildschirm entsperrt ist, drücken Sie die Taste „F“ (Super-Cool-Auswahl), der Summer ertönt einmal, die Anzeige „f“ (Super-Cool-Funktion) leuchtet auf und die Super-Cool-Funktion wird eingeschaltet.
2. Wenn die Anzeige „f“ (Super-Cool-Funktion) aufleuchtet, drücken Sie die Taste „F“ (Super-Cool-Auswahl), der Summer ertönt einmal, die Anzeige „f“ (Super-Cool-Funktion) erlischt und die Super-Cool-Funktion wird ausgeschaltet.
3. Nach dem Einschalten der Super-Cool-Funktion schaltet der Kühlschrank die Funktion automatisch aus, wenn die gewählte Gradzahl erreicht ist. Wenn Sie die Funktion manuell verlassen möchten, können Sie die Taste „F“ (Super-Cool-Auswahl) drücken, um sie auszuschalten.



Hinweis

Im Super-Cool-Status kann die Kühlschranktemperatur nicht eingestellt werden. Wenn entweder die Taste „D1“ (Temperatureinstellungstaste „-“) oder die Taste „D2“ (Temperatureinstellungstaste „+“) gedrückt wird, um die Temperatur des Kühlschranks einzustellen, blinkt die Anzeige „f“ (Super-Cool-Anzeige) und es ertönt ein Hinweis darauf, dass dieser Vorgang nicht durchgeführt werden kann.

Im Status der Super-Cool-Funktion kann die Auto-Set-Funktion oder die Holiday-Funktion aufgrund der unterschiedlichen Steuerungsmodi nicht gleichzeitig eingeschaltet werden. Wenn Sie eine Funktion wählen, die mit einer anderen Funktion in Konflikt steht, wird die ursprüngliche Funktion automatisch beendet.



Super-Freeze-Funktion (Super-Frz)

1. Wenn der Bildschirm entsperrt ist, drücken Sie die Taste „E“ (Super-Frz-Auswahl), der Summer ertönt einmal, die Anzeige „e1“ (Super-Freeze-Funktion) leuchtet auf, und die Super-Freeze-Funktion wird eingeschaltet.
2. Wenn die Anzeige „e1“ (Super-Freeze-Funktion) aufleuchtet, drücken Sie die Taste „E“ (Super-Frz-Auswahl), der Summer ertönt einmal, die Anzeige „e1“ (Super-Freeze-Funktion) erlischt, und die Super-Freeze-Funktion wird ausgeschaltet.
3. Nach dem Einschalten der Super-Freeze-Funktion schaltet der Kühlschrank die Funktion automatisch ab, wenn die ausgewählte Temperatur erreicht ist. Wenn Sie die Funktion manuell verlassen möchten, können Sie die Taste „E“ (Super-Frz-Auswahl) drücken, um sie auszuschalten.



Hinweis

Im Super-Freeze-Status kann die Gefriertemperatur nicht eingestellt werden. Wenn entweder die Taste „D1“ (Temperatureinstellungstaste „-“) oder die Taste „D2“ (Temperatureinstellungstaste „+“) gedrückt wird, um die Temperatur des Gefrierschranks einzustellen, blinkt die Anzeige „e1“ (Super-Frz-Anzeige) und es ertönt ein Hinweis darauf, dass dieser Vorgang nicht durchgeführt werden kann.

Im Status der Super-Freeze-Funktion kann die Auto-Set-Funktion aufgrund der unterschiedlichen Steuerungsmodi nicht gleichzeitig eingeschaltet werden. Wenn Sie eine Funktion wählen, die mit einer anderen Funktion in Konflikt steht, wird die ursprüngliche Funktion automatisch beendet.

Filterfunktion

Wenn der Kühlschrank sechs Monate lang in Betrieb ist, leuchtet die Erinnerungsanzeige „c3“ (Filterrücksetzfunktion) auf, um den Benutzer daran zu erinnern, einen neuen Filter einzusetzen. Wenn der Filter ausgetauscht wird, halten Sie die Taste „C“ (Auswahl der Filterrücksetzfunktion) 3 Sekunden lang gedrückt, um die Erinnerung zu löschen; die Zeitmessung wird mit einem Signalton zurückgestellt.



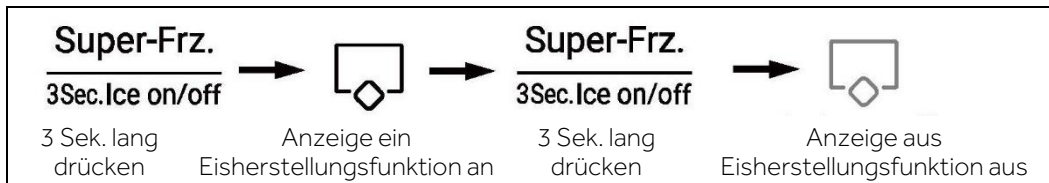
Hinweis

Die normale Nutzungsdauer des Filters beträgt sechs Monate. Es wird empfohlen, den Filter alle sechs Monate auszutauschen.



Eismaschinen-Modus

1. Drücken Sie im entsperrten Status die Taste „E“ (Auswahl des Eiswürfelbereiter-Modus) und halten sie für 3 Sekunden gedrückt. Der Summer ertönt einmal, die Anzeige „e2“ (Eiswürfelbereiter-Modus) leuchtet auf, und der Eiswürfelbereiter-Modus wird eingeschaltet.
2. Wenn die Anzeige „e2“ (Eiswürfelbereiter-Modus) aufleuchtet, drücken Sie die Taste „E“ (Auswahl des Eiswürfelbereiter-Modus) und halten sie für 3 Sekunden gedrückt. Der Summer ertönt einmal, die Anzeige „e2“ (Eiswürfelbereiter-Modus) erlischt, und der Eiswürfelbereiter-Modus wird ausgeschaltet.



Hinweis

Wenn die Anwendung eingeschaltet wird, ist der Eiswürfelbereiter standardmäßig ausgeschaltet.

Wenn Sie über einen längeren Zeitraum keine Eiswürfel benötigen, schalten Sie den Eisbereiter aus, leeren Sie den Behälter und setzen Sie den gereinigten Behälter ein.

Der Eiswürfelbereiter kann nur beim Hersteller konfiguriert oder von dessen Kundendienst erworben werden.

Wassereinlass-Funktion

Drücken Sie in einem beliebigen Status (gesperrt oder entsperrt) die Taste „H1“ (Auswahl der Wassereinlass-Funktion). Der Summer ertönt einmal, die Anzeige „h1“ (Wassereinlass-Funktion) leuchtet auf, und die Wassereinlass-Funktion wird eingeschaltet.



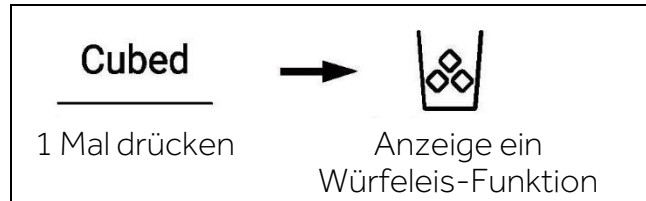
Hinweis

1. Wenn die Anzeige „h1“ (Wassereinlass-Funktion) aufleuchtet, erlöschen die Anzeige „h2“ (Eiswürfelfunktion) und die Anzeige „h3“ (Funktion „Gecrushtes Eis“). Nach dem Drücken des Spenderhebels fließt Wasser aus der Einlassöffnung.
2. Wenn die Wasserzulaufzeit 150 Sekunden erreicht, gibt der Kühlschrank einen Piepton ab und behält das Wasser bei, bis 180 Sekunden erreicht sind. Dann wird das Wasser abgeschaltet und das Wasserventil schaltet auf die 200-Sekunden-Schutzzeit. Danach kann wieder Wasser eingelassen werden.
3. Wenn die kumulierte Wasserzulaufzeit innerhalb von 10 Minuten 5 Minuten erreicht, schaltet das Wasserventil auf die 10-Minuten Schutzzeit; danach ist erneut der Wasserzulauf möglich.



Eiswürfel-Funktion

Drücken Sie in einem beliebigen Status (gesperrt oder entsperrt) die Taste „H2“ (Auswahl der Eiswürfel-Funktion). Der Summer ertönt einmal, die Anzeige „h2“ (Eiswürfel-Funktion) leuchtet auf, und die Eiswürfel-Funktion wird eingeschaltet.

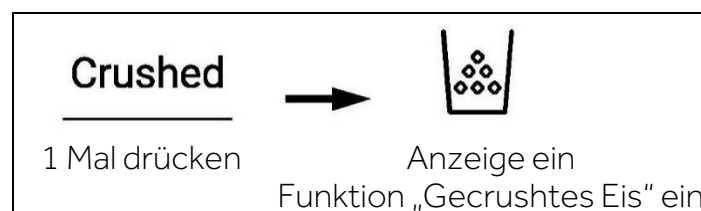


Hinweis

1. Wenn die Anzeige „h2“ (Eiswürfel-Funktion) aufleuchtet, erlöschen die Anzeige „h1“ (Wassereinlass-Funktion) und die Anzeige „h3“ (Funktion „Gecrushtes Eis“). Wenn der Mikroschalter des Verteilers gedrückt wird, werden die Eiswürfel aus der Zulauföffnung ausgegeben.
2. Wenn der Eisbereiter zum ersten Mal an das Stromnetz angeschlossen wird, ist die Eiswürfel-Funktion standardmäßig ausgeschaltet.
3. Drücken Sie den Mikroschalter des Spenders. Das Licht schaltet sich bei geöffnetem Deckel ein. Dann beginnt sich der Motor des Eiszerkleinerers gegen den Uhrzeigersinn zu drehen, um die Eiswürfel zu schieben. Lösen Sie den Mikroschalter des Spenders. Der Motor des Eiszerkleinerers stoppt. Der Deckel des Spenders schließt sich nach 5 Sekunden und das Licht geht aus.
4. Wenn die Eiswürfel-Zeit im Eiswürfel-Status mehr als 50 Sekunden beträgt, ertönt ein akustisches Signal (Klopfen), um den Benutzer darauf hinzuweisen, das Gerät abzuschalten. Wenn die Zeit 1 Minute erreicht, wird die Eiswürfelbereitung zwangsweise gestoppt. Die Funktion wird beim nächsten Drücken des Schalters wirksam.
5. Wenn die Kühlschranktür im Status „Eiswürfel“ geöffnet wird, stoppt der Motor, der das Eis ausgibt, der Deckel des Spenders wird geschlossen, die Beleuchtung des Spenders wird ausgeschaltet und die Eiswürfelproduktion wird gestoppt.
6. Es ist verboten, bei geöffneter Kühlschranktür Eiswürfel auszugeben.

Funktion „Gecrushtes Eis“

Drücken Sie in einem beliebigen Status (gesperrt oder entsperrt) die Taste „H3“ (Auswahl der Funktion „Gecrushtes Eis“). Der Summer ertönt einmal, die Anzeige „h3“ (Funktion „Gecrushtes Eis“) leuchtet auf und die Funktion „Gecrushtes Eis“ wird eingeschaltet.



Hinweis

Wenn die Anzeige „h3“ (Funktion „Gecrushtes Eis“) aufleuchtet, erlöschen die Anzeige „h1“ (Wassereinlass-Funktion) und die Anzeige „h2“ (Eiswürfel-Funktion). Wenn der Mikroschalter des Verteilers gedrückt wird, wird zerstoßenes Eis aus der Zulauföffnung ausgegeben.

Drücken Sie den Mikroschalter des Spenders. Das Licht schaltet sich bei geöffnetem Deckel ein. Dann beginnt sich der Motor des Eiszerkleinerers im Uhrzeigersinn zu drehen, um die Eiswürfel zu schieben. Lösen Sie den Mikroschalter des Spenders. Der Motor des Eiszerkleinerers stoppt. Der Deckel des Spenders schließt sich nach 5 Sekunden und das Licht geht aus.

Wenn die Zeit der Eiszerkleinerung im Status „Gecrushtes Eis“ mehr als 50 Sekunden beträgt, ertönt ein akustisches Signal (Klopfen), um den Benutzer darauf hinzuweisen, das Gerät abzuschalten. Wenn die Zeit 1 Minute erreicht, wird die Eiszerkleinerung zwangsweise gestoppt. Die Funktion wird beim nächsten Drücken des Schalters wirksam.

Wenn die Kühlschranktür im Status „Gecrushtes Eis“ geöffnet wird, stoppt der Motor, der das Eis ausgibt, der Deckel des Spenders wird geschlossen, die Beleuchtung des Spenders wird ausgeschaltet und die Eiszerkleinerung wird gestoppt.

Es ist verboten, Eis bei geöffneter Kühlschranktür zu zerkleinern.

Türöffnungsalarm

Wenn eine Tür zu lange offen bleibt oder nicht richtig geschlossen wird, gibt der Kühlschrank in bestimmten Abständen einen Alarmton ab, um Sie daran zu erinnern, die Tür rechtzeitig zu schließen.

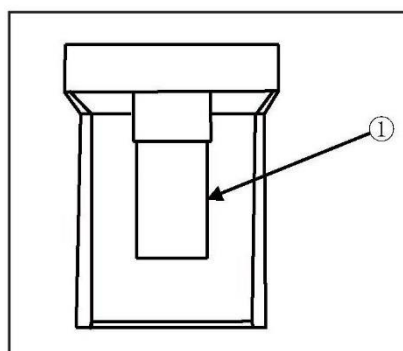
Ausschaltspeicher

Der momentane Betriebsstatus des Geräts bei Ausschaltung wird gespeichert. Nach dem erneuten Einschalten funktioniert das Gerät immer noch so, wie es vor dem Ausschalten eingestellt war.

Verwendung des Eis- und Wasserspenders

Drücken Sie die Spenderwahltaste so oft, bis die Leuchte über der gewünschten Anzeige leuchtet.

Drücken Sie mit einem Glas oder einem anderen Behälter auf den Spender (1), um Eiswürfel, Wasser oder zerstoßenes Eis auszugeben.

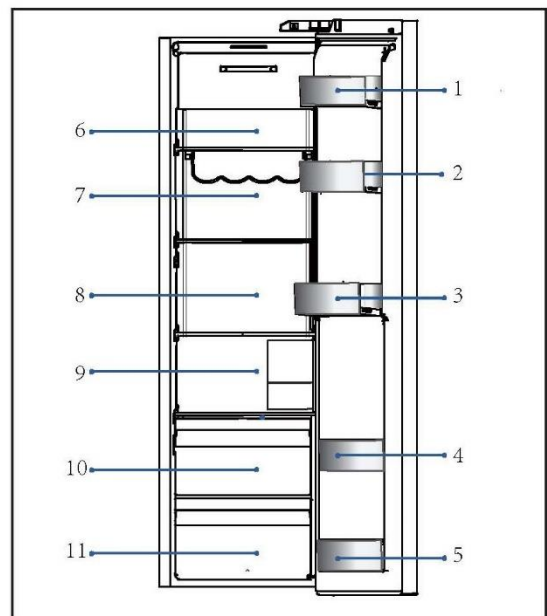


TIPPS ZUM LAGERN FRISCHER LEBENSMITTEL

Aufbewahrung im Kühlfach

1. Halten Sie die Temperatur Ihres Kühlschranks unter 5 °C.
2. Heiße Lebensmittel vor der Aufbewahrung im Kühlschrank auf Raumtemperatur abkühlen lassen.
3. Lebensmittel sollten vor der Aufbewahrung im Kühlschrank gewaschen und abgetrocknet werden.
4. Die aufzubewahrenden Lebensmittel sollten gut verschlossen sein, um Geruchs- oder Geschmacksveränderungen zu vermeiden.
5. Lagern Sie keine übermäßigen Mengen an Lebensmittel. Lassen Sie Zwischenräume zwischen den Lebensmitteln, damit die kalte Luft zirkulieren kann, um eine bessere und gleichmäßigere Kühlung zu erreichen.
6. Lebensmittel, die täglich verzehrt werden, sollten im vorderen Teil des Regals gelagert werden.
7. Lassen Sie Platz zwischen den Lebensmitteln und den Innenwänden, damit die Luft zirkulieren kann. Lagern Sie Lebensmittel insbesondere nicht an der Rückwand, da sie dort festfrieren könnten. Vermeiden Sie den direkten Kontakt von Lebensmitteln (insbesondere bei öligen oder säurehaltigen Lebensmitteln) mit der Innenauskleidung, da Öl/Säure diese angreifen kann. Reinigen Sie ölige/saure Verschmutzungen sofort, wenn Sie sie sehen.
8. Tauen Sie gefrorene Lebensmittel im Vorratsfach des Kühlschranks auf. Auf diese Weise können Sie die gefrorenen Lebensmittel verwenden, um die Temperatur im Fach zu senken und Energie zu sparen.
9. Die Reifung von Obst und Gemüse wie Zucchini, Melonen, Papayas, Bananen, Ananas usw. kann im Kühlschrank beschleunigt werden. Daher sollten sie nicht im Kühlschrank aufbewahrt werden. Die Reifung von noch grünem Obst kann im Kühlschrank jedoch auch beschleunigt werden. Zwiebeln, Knoblauch, Ingwer und anderes Wurzelgemüse sollten ebenfalls bei Raumtemperatur gelagert werden.
10. Unangenehme Gerüche im Inneren des Kühlschranks sind ein Zeichen dafür, dass etwas verschüttet wurde und gesäubert werden muss. Siehe PFLEGE UND REINIGUNG.
11. Verschiedene Lebensmittel sollten entsprechend ihrer Eigenschaften an verschiedenen Stellen eingeräumt werden:

- 1-Butter, Käse usw.
- 2-Eier, Konserven, Gewürze usw.
- 3/4/5-Getränke und Lebensmittel in Flaschen.
- 6-Eingelegte Lebensmittel, Konserven usw.
- 7/8-Fleischerzeugnisse, Fisch, Rohkost
- 9-Dosen, Molkereiprodukte usw.
- 10-Obst, Gemüse, Salat usw.
- 11-Gekochtes Fleisch, Würste usw.

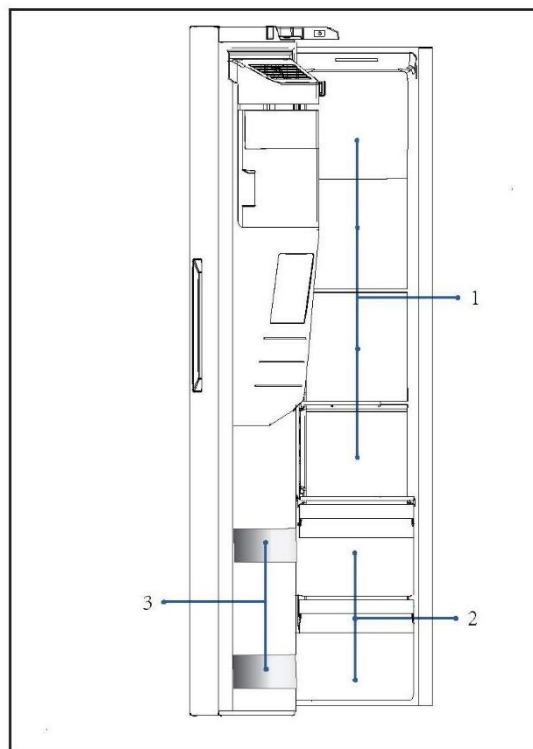


TIPPS ZUM LAGERN FRISCHER LEBENSMITTEL

Einlagerung im Gefrierfach

1. Halten Sie die Gefriertemperatur bei -18°C .
2. 12 Stunden vor dem Einfrieren zusätzlicher Lebensmittel die Super-Freeze-Funktion einschalten; bei kleinen Mengen an Lebensmitteln reichen 4-6 Stunden.
3. Heiße Lebensmittel vor der Lagerung im Gefrierschrank auf Raumtemperatur abkühlen lassen.
4. In kleine Portionen geschnittene Lebensmittel frieren schneller ein und lassen sich leichter auftauen und garen. Das empfohlene Gewicht für jede Portion beträgt höchstens 2,5 kg.
5. Lebensmittel verpacken, bevor Sie sie in den Gefrierschrank legen. Die Außenseite der Verpackung muss trocken sein, damit die Gefrierbeutel nicht aneinander kleben. Verpackungsmaterialien sollten geruchsfrei, luftdicht, lebensmittelecht und ungiftig sein.
6. Damit das Verfallsdatum nicht abläuft, notieren Sie sich das Einfrierdatum, das Verfallsdatum und den Namen des Lebensmittels auf der Verpackung. Unterschiedliche Lebensmittel können unterschiedlich lange gelagert werden.
7. **WARNUNG!:** Säuren, Laugen und Salze usw. könnten die Innenfläche des Gefrierschranks erodieren. Legen Sie die Lebensmittel, die diese Stoffe enthalten (z. B. Seefisch), nicht direkt auf die Innenfläche. Ausgetropftes Salzwasser im Gefrierschrank sollte sofort beseitigt werden.
8. Überschreiten Sie nicht die von den Herstellern empfohlene Haltbarkeitsdauer der Lebensmittel. Nehmen Sie nur die benötigte Menge an Lebensmitteln aus dem Gefrierschrank.
9. Verschiedene Lebensmittel sollten entsprechend ihrer Eigenschaften an verschiedenen Stellen eingeräumt werden:

- 1- Leichtere Produkte wie Eis, Gemüse, Brot usw.
- 2- Große/schwere Lebensmittelportionen, wie z. B. Fleischstücke zum Braten
- 3- Pizza usw.





HINWEIS: LAGERUNG

1. Halten Sie einen Abstand von mehr als 10 mm zwischen den Lebensmitteln und dem Sensor ein, um die Kühlwirkung zu gewährleisten.
2. Lassen Sie die unterste Schublade im Gerät, wenn es in Betrieb ist, um die Kühlwirkung zu gewährleisten.
3. Lebensmittel wie Eiscreme usw., sollten im Gefrierfach und nicht in den Flaschenhaltern gelagert werden. Die Temperaturschwankungen, denen die Flaschenhalter durch das Öffnen und Schließen der Tür ausgesetzt sind, können die Lebensmittel auftauen.
4. Verbrauchen Sie aufgetaute Lebensmittel schnell. Aufgetaute Lebensmittel können nur dann wieder eingefroren werden, wenn sie vorher gekocht werden, da sie sonst ungenießbar werden.
5. Legen Sie keine übermäßigen Mengen an frischen Lebensmitteln in das Gefrierfach. Informieren Sie sich über die Gefrierkapazität des Gefrierschranks. - Siehe TECHNISCHE DATEN oder Daten auf dem Typenschild.
6. Lebensmittel können im Gefrierschrank bei einer Temperatur von mindestens -18 °C je nach Beschaffenheit 2 bis 12 Monate gelagert werden (z. B. Fleisch: 3-12 Monate, Gemüse: 6-12 Monate)
7. Vermeiden Sie beim Einfrieren frischer Lebensmittel den Kontakt mit bereits gefrorenen Lebensmitteln. Es besteht die Gefahr, dass diese auftauen!
8. Tauen Sie gefrorene Lebensmittel im Kühlschrank auf. Auf diese Weise können Sie die gefrorenen Lebensmittel verwenden, um die Temperatur im Fach zu senken und Energie zu sparen.

Beachten Sie bei der Lagerung von handelsüblicher Tiefkühlware diese Richtlinien:

1. Befolgen Sie immer die Richtlinien der Hersteller, die angeben, wie lange die Lebensmittel aufbewahrt werden können. Überschreiten Sie die Haltbarkeitsdaten nicht.
2. Versuchen Sie, die Zeitspanne zwischen Einkauf und Lagerung so kurz wie möglich zu halten, um die Lebensmittelqualität zu erhalten.
3. Kaufen Sie Tiefkühlkost, die bei einer Temperatur von -18 °C oder darunter gelagert wurde.
4. Vermeiden Sie den Kauf von Lebensmitteln, die Eis oder Reif auf der Verpackung haben. Dies deutet darauf hin, dass die Produkte möglicherweise teilweise aufgetaut und irgendwann wieder eingefroren wurden. Temperaturerhöhungen beeinträchtigen die Qualität der Lebensmittel.



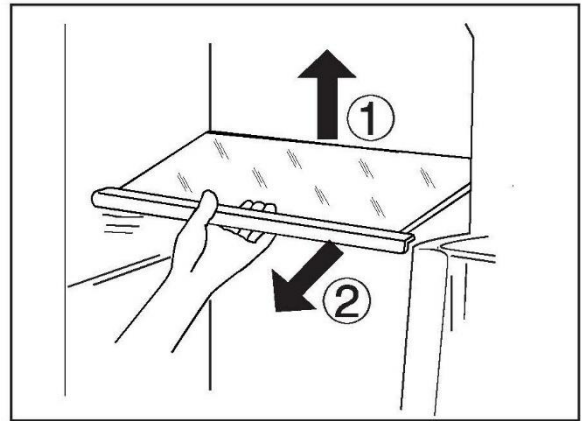
Energiespartipps

- ▶ Stellen Sie sicher, dass das Gerät ordnungsgemäß belüftet ist (siehe INSTALLATION).
- ▶ Stellen Sie das Gerät nicht in direktem Sonnenlicht oder in der Nähe von Hitzequellen (z. B. Herden, Heizungen) auf.
- ▶ Vermeiden Sie unnötig niedrige Temperaturen im Gerät. Je niedriger die im Gerät eingestellte Temperatur, umso höher der Energieverbrauch.
- ▶ Funktionen wie POWER- FREEZE verbrauchen mehr Energie.
- ▶ Lassen Sie warme Mahlzeiten abkühlen, bevor Sie diese in den Kühlschrank stellen.
- ▶ Öffnen Sie die Gerätetür so wenig und so kurz wie möglich.
- ▶ Achten Sie darauf, das Gerät nicht zu überladen, um den Luftstrom nicht zu behindern.
- ▶ Vermeiden Sie Luft innerhalb der Lebensmittelverpackung.
- ▶ Halten Sie die Türdichtungen sauber, damit die Tür immer richtig schließt.
- ▶ Tauen Sie gefrorene Lebensmittel im Vorratsfach des Kühlschranks auf.
- ▶ Die energiesparendste Konfiguration erfordert, dass das Gerät Schubladen, Lebensmittelboxen und Einlegeböden in fabriksauberem Zustand enthält, und die Lebensmittel sollten so weit wie möglich von den Auslässen des Luftkanals eingeräumt werden und diesen nicht blockieren.



Verstellbare Einlegeböden

1. Die Höhe der Einlegeböden kann an Ihren Lagerbedarf angepasst werden.
2. Um einen Einlegeboden zu versetzen, heben Sie ihn an der Hinterkante an ① und ziehen Sie ihn heraus ②.
3. Um ihn wieder einzubauen, setzen Sie ihn auf die Träger an beiden Seiten und schieben sie ihn ganz nach hinten, bis die Rückseite des Einlegebodens in den Schlitzen an den Seiten steckt.

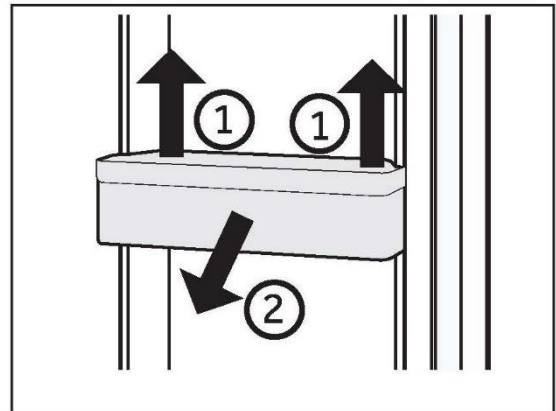


HINWEIS

Prüfen Sie, ob alle Seiten des Einlegebodens waagrecht sind.

Abnehmbare Türfächer/Flaschenhalter

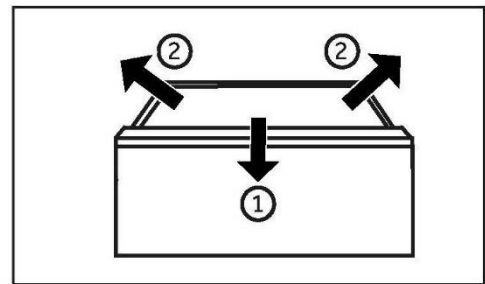
1. Die Türablagen/Flaschenhalter können zur Reinigung herausgenommen werden:
2. Halten Sie dazu die Ablage/Flaschenhalter mit beiden Händen fest, heben Sie sie nach oben ① und ziehen Sie sie heraus ②.
3. Um die Ablage/Flaschenhalter wieder einzusetzen, werden die oben genannten Schritte in umgekehrter Reihenfolge durchgeführt.



Herausnehmbare Schublade

Um die Schublade herauszunehmen, diese bis zum Anschlag herausziehen ①, anheben und herausnehmen ②.

Um die Schublade wieder einzusetzen, werden die oben genannten Schritte in umgekehrter Reihenfolge durchgeführt.



Eisbehälter

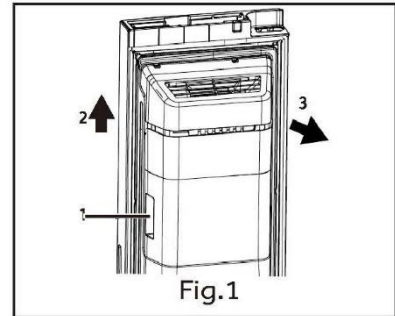
Stoppen der Eisproduktion

Wenn über einen längeren Zeitraum kein Eis oder Wasser benötigt wird, kann das Ventil zwischen der Wasserzufuhr und dem Gerät abgestellt werden.

Der Eisbehälter sollte gereinigt, getrocknet und wieder in das Gerät eingesetzt werden, um die Entstehung von Gerüchen zu vermeiden.

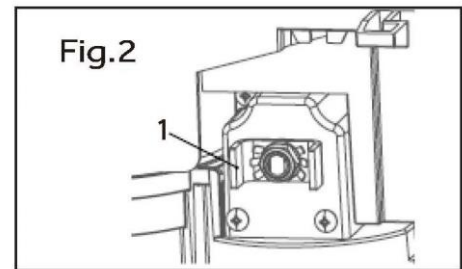
Herausnehmen des Eisbehälters

1. Greifen Sie in beide Seitenbügel.
2. Heben Sie den Behälter an.
3. Ziehen Sie den Behälter heraus.



Wiedereinbau des Eisbehälters

Um den Eisbehälter wieder einzubauen, muss die U-förmige Halterung hinter dem Eisbehälter (1 in Abb.2) auf das entsprechende Metallteil gesetzt werden. Führen Sie die Schritte aus Abb.1 in umgekehrter Reihenfolge aus.



HINWEIS

Feuchtigkeit kann kondensieren und den Eisbehälter festfrieren lassen.



WARNUNG!

Trennen Sie das Gerät vor der Reinigung von der Stromversorgung.

Reinigung

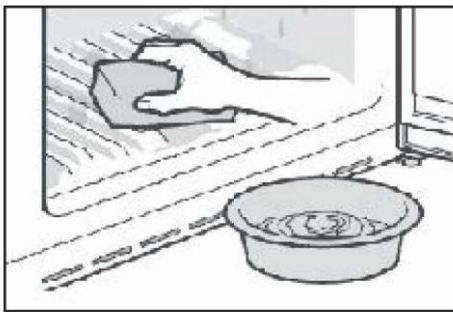
Reinigen Sie das Gerät, wenn nur wenig oder keine Lebensmittel gelagert werden.

Das Gerät sollte alle vier Wochen gereinigt werden, um eine gute Wartung zu gewährleisten und um schlechte Gerüche von gelagerten Lebensmitteln zu vermeiden.



WARNUNG!

- ▶ Reinigen Sie das Gerät nicht mit harten Bürsten, Drahtbürsten, Reinigungspulver, Benzin, Amylacetat, Aceton und ähnlichen organischen Lösungen, Säure oder Alkalilösungen. Reinigen Sie das Gerät mit einem speziellen Reinigungsmittel für Kühlgeräte, um Beschädigungen zu vermeiden.
- ▶ Das Gerät während der Reinigung nicht besprühen oder mit Wasser beschütten.
- ▶ Das Gerät nicht mit Wasser besprühen oder mit Dampf reinigen.
- ▶ Die kalten Einlegeböden aus Glas nicht mit heißem Wasser reinigen. Plötzliche Temperaturschwankungen können dazu führen, dass das Glas zerspringt.
- ▶ Berühren Sie nicht die Innenfläche des Gefrierschranks, insbesondere nicht mit nassen Händen, da Ihre Hände an der Oberfläche festfrieren könnten.
- ▶ Überprüfen Sie bei eventuellem Temperaturanstieg den Zustand des Gefrierguts.



- ▶ Die Türdichtung immer sauber halten.
 - ▶ Reinigen Sie das Innere und das Gehäuse des Geräts mit einem Schwamm, der mit warmem Wasser und einem neutralen Reinigungsmittel angefeuchtet wurde.
1. Säubern Sie den Kühlschrank außen und innen, einschließlich Türdichtungen, Türablage, Einlegeböden aus Glas, Schubladen usw., gründlich mit einem weichen Geschirrtuch oder einem Schwamm mit warmem Wasser (eventuell mit etwas neutralem Reinigungsmittel im Wasser).
 2. Wenn Flüssigkeit verschüttet wurde, nehmen Sie alle verschmutzten Teile heraus, spülen Sie sie unter fließendem Wasser ab, trocknen Sie sie ab und setzen Sie sie wieder in den Kühlschrank.
 3. Bei verschütteten Milchprodukten (z. B. Sahne, schmelzendes Eis) entfernen Sie die verunreinigten Teile, legen Sie sie für eine Weile in ca. 40 °C warmes Wasser, spülen Sie sie dann unter fließendem Wasser ab, trocknen Sie sie ab, und setzen Sie sie wieder in den Kühlschrank ein.
 4. Falls ein kleines Teil oder Krümel im Inneren des Kühlschranks (zwischen die Ablagen oder Schubladen) festsitzen, lösen Sie die Verunreinigung mit einer weichen Zahnbürste. Wenn Sie die Verunreinigung nicht entfernen konnten, wenden Sie sich bitte an den Haier-Kundendienst.
- ▶ Wischen Sie den Kühlschrank mit einem feuchten Tuch gründlich aus und trocknen Sie ihn mit einem weichen Tuch ab.
 - ▶ Reinigen Sie Geräteteile nicht in einer Geschirrspülmaschine.

- ▶ Warten Sie vor dem Neustart des Geräts mindestens 5 Minuten, da ein häufiger Neustart den Kompressor beschädigen kann.

Abtauen

Das Abtauen des Kühl- und Gefrierschranks erfolgt automatisch, es ist keine manuelle Tätigkeit erforderlich.

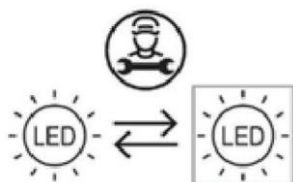
Austausch der LED-Leuchten



WARNUNG!

Wechseln Sie die LED nicht selbst. Sie darf nur vom Hersteller oder von einem autorisierten Service-Mitarbeiter ausgetauscht werden.

Die Leuchte nutzt als Lichtquelle eine LED mit geringem Energieverbrauch und langer Lebensdauer. Bei Anomalien wenden Sie sich bitte an den Kundenservice. Siehe KUNDENSERVICE.



Lichtquelle (nur LED), die durch einen Fachmann ausgetauscht werden muss.

Dieses Produkt enthält eine Lichtquelle der Energieeffizienzklasse G.

Gerätech	Spannung	Energieeffizienzklasse	Modell
Kühlschrank	12V	G	HSW59F18DIMM
Gefrierschrank	12V	G	HSW79F18DIPT
Hintere Leuchte	12V	G	

Reinigung des Eisbehälters

Reinigen Sie den Eisbehälter regelmäßig mit warmem Wasser, vor allem, wenn die Eiswürfel alt und abgestanden sind. Trocknen Sie den Behälter gut ab, bevor Sie ihn wieder in das Gerät einsetzen, damit die Eiswürfel nicht an den Wänden haften bleiben.

Nichtverwendung für einen längeren Zeitraum

Wenn das Gerät über einen längeren Zeitraum nicht benutzt wird und Sie die Holiday-Funktion für den Kühlschrank nicht verwenden:

- ▶ Nehmen Sie die Lebensmittel heraus.
- ▶ Ziehen Sie das Netzkabel ab.
- ▶ Reinigen Sie das Gerät wie oben beschrieben.
- ▶ Lassen Sie die Türen auf, um die Bildung von schlechten Gerüchen zu verhindern.



HINWEIS

Schalten Sie das Gerät nur aus, wenn es unbedingt nötig ist.



Verstellen des Geräts

1. Nehmen Sie alle Lebensmittel heraus und ziehen Sie den Gerätestecker aus der Steckdose.
2. Fixieren Sie die Einlegeböden und andere bewegliche Teile im Kühlschrank und im Gefrierschrank mit Klebeband.
3. Den Kühlschrank um maximal 45° kippen, um eine Beschädigung des Kühlsystems zu vermeiden.



WARNUNG!

- ▶ Heben Sie das Gerät nicht an seinen Griffen an.
- ▶ Stellen Sie das Gerät niemals waagrecht auf den Boden.

Auswechseln des Filters

Der Wasserfilter muss ca. alle 6 Monate gewechselt werden, wenn die Anzeige „c3“ (Filter Reset Funktion) aufleuchtet.

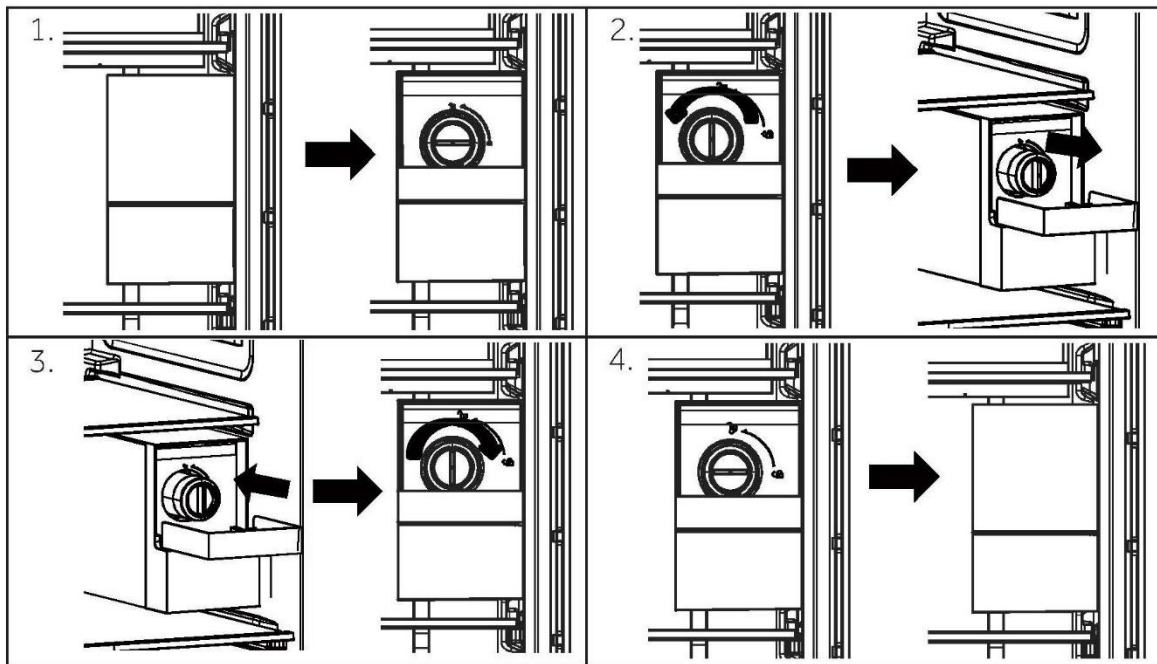
Zum Kauf eines Ersatz-Wasserfilters:

- Verwenden Sie eine Ersatzpatrone: HRXWF,
- Besuchen Sie Ihren Vertreter oder Händler vor Ort. Weitere Informationen finden Sie auf unserer Website www.haiersparses.eu



Hinweis

- ▶ Beim Auswechseln des Wasserfilters läuft eine kleine Menge Wasser (ca. 25 cm³ (1 oz)) aus.
 - ▶ Wickeln Sie ein Tuch um das vordere Ende des Wasserfilterdeckels, um eventuell auslaufendes Wasser aufzufangen. Halten Sie den Wasserfilter nach dem Herausnehmen aufrecht, um zu verhindern, dass Restwasser aus dem Wasserfilter ausläuft.
1. Drücken Sie die Mitte der oberen Abdeckung nach unten und klappen Sie sie um.
 2. Entfernen Sie den Einweg-Wasserfilter.
 3. Ersetzen Sie ihn durch einen neuen Wasserfilter. Setzen Sie den neuen Filter in den Filterkopf ein und drehen Sie ihn so lange im Uhrzeigersinn, bis der Pfeil auf dem neuen Filter mit dem Pfeil auf dem Filterkopf übereinstimmen. Schwenken Sie den Filter zurück in das Fach.
 4. Schließen Sie den Wasserfilterdeckel.



5. Halten Sie die Taste 3Sec.Filter Reset 3 Sekunden lang gedrückt.
6. Lassen Sie etwa 5 Minuten lang Wasser laufen, um eingeschlossene Luft und Verunreinigungen zu entfernen.



VORSICHT!

- ▶ Wenn Sie die Filter nicht rechtzeitig austauschen oder nicht von Haier zugelassene Wasserfilter verwenden, kann die Filterpatrone undicht werden und zu Sachschäden führen.

Wasserfilter

Modell: Haier HRXWF

- ▶ Das System ist von IAPMO R&T gemäß den NSF/ANSI-Normen 42, 53, 401 und P473 für die im Leistungsdatenblatt und unter iapmort.org angegebene Reduzierung der Ansprüche zertifiziert.
- ▶ Die tatsächliche Leistung kann je nach den örtlichen Wasserbedingungen variieren.

Anwendungsrichtlinien/Wasserversorgungsparameter

Durchfluss im Betrieb: 1,89 lpm (0,5 gpm)

Wasserversorgung: Trinkwasser

Wasserdruck: 172-827 kPa (25-120 psi)

Wassertemperatur: 0,6°C-38°C

Leistung: 643,5 l (170 gal)

Es ist wichtig, dass die vom Hersteller empfohlenen Installations-, Wartungs- und Filterwechselanforderungen eingehalten werden, damit das Produkt die angegebene Leistung erbringen kann. Siehe Installationshandbuch für Informationen zur Garantie.



Hinweis

Obwohl die Tests unter Standard-Laborbedingungen durchgeführt wurden, kann die tatsächliche Leistung abweichen. Ersatzpatrone: HRXWF Kostenvoranschläge für Ersatzelemente finden Sie auf unserer Website unter www.haierspars.eu.



WARNUNG!

- ▶ Zur Verringerung des mit der Aufnahme von Schadstoffen verbundenen Risikos:
- ▶ Verwenden Sie kein Wasser, das mikrobiologisch unsicher oder von unbekannter Qualität ist, ohne eine angemessene Desinfektion vor und nach dem System. Systeme, die für die Zystenreduzierung zertifiziert sind, können für desinfiziertes Wasser verwendet werden, das filtrierbare Zysten enthalten kann.

Hinweis

Zur Verringerung des Risikos von Wasserlecks oder Überschwemmungen und zur Gewährleistung einer optimalen Filterleistung:

- ▶ Lesen und befolgen Sie die Gebrauchsanweisung, bevor Sie dieses System installieren und benutzen.
- ▶ Installation und Verwendung MÜSSEN allen staatlichen und örtlichen Vorschriften für Sanitärinstallationen entsprechen.
- ▶ Installieren Sie das System nicht, wenn der Wasserdruck über 827 kPa (120 psi) liegt. Wenn der Wasserdruck 552 kPa (80 psi) übersteigt, müssen Sie ein Druckbegrenzungsventil installieren. Wenden Sie sich an einen Sanitärfachmann, wenn Sie unsicher sind, wie Sie Ihren Wasserdruck überprüfen können.
- ▶ Vermeiden Sie die Installation an Orten, an denen Wasserschläge auftreten können. Wenn Wasserschläge auftreten, müssen Sie einen Wasserschlagschutz installieren. Wenden Sie sich an einen Sanitärfachmann, wenn Sie nicht sicher sind, wie Sie diesen Zustand feststellen können.
- ▶ Vermeiden Sie die Installation an Warmwasserleitungen. Die maximale Betriebswassertemperatur dieses Filtersystems beträgt 38°C.
- ▶ Schützen Sie den Filter vor dem Einfrieren. Entleeren Sie den Filter, wenn die Temperatur unter 0,6°C fällt.
- ▶ Wechseln Sie die Einweg-Filterpatrone alle sechs Monate oder früher, wenn Sie eine merkliche Verringerung der Wasserdurchflussmenge feststellen.
- ▶ Wird die Einweg-Filterpatrone nicht in den empfohlenen Intervallen ausgetauscht, kann dies zu einer verminderten Filterleistung und zu Rissen im Filtergehäuse führen, die Wasserlecks oder Überschwemmungen verursachen.
- ▶ Dieses System wurde gemäß NSF/ANSI 42, 53, 401 und P473 auf die Reduzierung der unten aufgeführten Stoffe getestet. Die Konzentration der angegebenen Stoffe im Wasser, das im System zugeführt wird, wurde auf eine Konzentration reduziert, die kleiner oder gleich dem zulässigen Grenzwert für das Wasser ist, das das System verlässt, wie in NSF/ANSI 42, 53, 401 und P473 angegeben.



Viele auftretende Probleme können von Ihnen selbst ohne spezifische Fachkenntnisse gelöst werden. Bei Problemen prüfen Sie bitte alle angezeigten Möglichkeiten und befolgen Sie die nachstehenden Anweisungen, bevor Sie einen Kundendienst kontaktieren. Siehe KUNDENSERVICE.



WARNUNG!

- ▶ Das Gerät vor der Wartung deaktivieren und den Netzstecker aus der Steckdose ziehen.
- ▶ Elektrische Geräte sollten nur von qualifizierten Fachelektrikern repariert werden, da unsachgemäße Reparaturen erhebliche Folgeschäden verursachen können.
- ▶ Eine beschädigte Lieferung sollte nur vom Hersteller, von seinem Service-Mitarbeiter oder einer gleichwertig qualifizierten Person ausgetauscht werden, um jegliches Risiko zu vermeiden.

Problem	Mögliche Ursache	Mögliche Behebung
Der Kompressor funktioniert nicht.	<ul style="list-style-type: none"> • Der Netzstecker ist nicht an die Steckdose angeschlossen. • Das Gerät befindet sich im Abtauvorgang. 	<ul style="list-style-type: none"> • Den Netzstecker anschließen. • Dies ist normal für eine automatische Abtauung.
Das Gerät läuft häufig oder zu lange.	<ul style="list-style-type: none"> • Die Innen- oder Außentemperatur ist zu hoch. • Das Gerät wurde über einen längeren Zeitraum ausgeschaltet. • Eine Gerätetür wurde nicht richtig geschlossen. • Die Tür wurde zu häufig oder zu lange geöffnet. • Die Temperatur für den Gefrierschrank ist zu niedrig. • Die Türdichtungen sind verschmutzt, verschlissen, gerissen oder verrutscht. • Die erforderliche Luftzirkulation ist nicht gewährleistet. 	<ul style="list-style-type: none"> • In diesem Fall ist es normal, dass das Gerät länger läuft. • Normalerweise dauert es 8 bis 12 Stunden, bis das Gerät vollständig abgekühlt ist. • Die Tür/Schublade schließen und sicherstellen, dass das Gerät auf einem ebenem Untergrund steht und dass keine Lebensmittel oder Behälter gegen die Tür stoßen. • Die Tür/Schublade nicht zu häufig öffnen. • Die Temperatur höher einstellen, bis eine zufriedenstellende Kühlschranktemperatur erreicht ist. Es dauert 24 Stunden, bis sich die Kühlschranktemperatur stabilisiert hat. • Die Tür-/Schubladendichtungen reinigen oder vom Kundendienst ersetzen lassen. • Für ausreichende Belüftung sorgen.
Das Innere des Kühlschranks ist schmutzig und/oder übelriechend.	<ul style="list-style-type: none"> • Das Innere des Kühlschranks muss gereinigt werden. • Lebensmittel mit starkem Geruch werden im Kühlschrank gelagert. 	<ul style="list-style-type: none"> • Das Innere des Kühlschranks reinigen. • Packen Sie die Lebensmittel sorgfältig ein.



Problem	Mögliche Ursache	Mögliche Behebung
Das Gerät macht abnormale Geräusche.	<ul style="list-style-type: none">• Das Gerät befindet sich nicht auf einem ebenen Untergrund.• Das Gerät berührt einige Gegenstände um es herum.	<ul style="list-style-type: none">• Die Füße entsprechend einstellen, um das Gerät zu nivellieren.• Die Gegenstände um das Gerät herum entfernen.
Das Innere des Geräts ist nicht kalt genug.	<ul style="list-style-type: none">• Die Temperatur ist zu hoch eingestellt. Es wurden zu warme Lebensmittel eingelagert.• Es wurden zu viele Lebensmittel auf einmal hineingelegt.• Die Lebensmittel liegen zu dicht beieinander.• Eine Tür/Schublade wurde nicht richtig geschlossen.• Die Tür/Schublade wurde zu häufig oder zu lange geöffnet.	<ul style="list-style-type: none">• Die Temperatur zurücksetzen.• Die Lebensmittel immer erst abkühlen lassen, bevor Sie sie hineinlegen.• Nur kleinere Mengen an Lebensmitteln hineinlegen.• Zwischen mehreren Lebensmitteln einen Abstand lassen, damit die Luft zirkulieren kann.• Die Tür/Schublade schließen. • Die Tür/Schublade nicht zu häufig öffnen.
Das Innere des Geräts ist zu kalt.	<ul style="list-style-type: none">• Die Temperatur ist zu niedrig eingestellt. Die Super-Frz/Super-Cool-Funktion ist aktiviert oder läuft zu lange.	<ul style="list-style-type: none">• Die Temperatur zurücksetzen.• Die Super-Frz/Super-Cool-Funktion ausschalten.
Feuchtigkeitsbildung im Innern des Kühlfachs.	<ul style="list-style-type: none">• Das Klima ist zu warm und zu feucht.• Eine Tür/Schublade wurde nicht richtig geschlossen.• Die Tür/Schublade wurde zu häufig oder zu lange geöffnet.• Lebensmittelbehälter oder Flüssigkeiten werden offen gelassen.	<ul style="list-style-type: none">• Die Temperatur erhöhen.• Die Tür/Schublade schließen. • Die Tür/Schublade nicht zu häufig öffnen.• Heiße Speisen auf Raumtemperatur abkühlen lassen und Speisen und Flüssigkeiten abdecken.
Feuchtigkeit sammelt sich außen am Kühlschrank oder zwischen der oder den Türen und der Schublade.	<ul style="list-style-type: none">• Das Klima ist zu warm und zu feucht.• Tür nicht richtig geschlossen. Die kalte Luft im Gerät und die warme Außenluft kondensieren.	<ul style="list-style-type: none">• Das ist bei feuchtem Klima normal und ändert sich, wenn die Feuchtigkeit abnimmt.• Prüfen Sie, ob die Tür/Schublade fest geschlossen ist.
Starke Eisbildung und Frost im Gefrierfach.	<ul style="list-style-type: none">• Die Lebensmittel sind nicht angemessen verpackt.• Eine Tür/Schublade wurde nicht richtig geschlossen.• Die Tür/Schublade wurde zu häufig oder zu lange geöffnet.• Die Tür-/Schubladendichtungen sind verschmutzt, verschlissen, gerissen oder verrutscht.• Etwas im Inneren verhindert, dass die Tür/Schublade richtig schließt.	<ul style="list-style-type: none">• Die Lebensmittel immer gut verpacken.• Die Tür/Schublade schließen. • Die Tür/Schublade nicht zu häufig öffnen.• Die Tür-/Schubladendichtungen reinigen oder austauschen.• Die Einlegeböden, Türfächer oder Behälter so versetzen, dass die Tür/Schublade richtig schließt.



Fehlerbehebung

Problem	Mögliche Ursache	Mögliche Behebung
Die Seitenwände des Geräts und die Türleiste werden warm.	<ul style="list-style-type: none">• -	<ul style="list-style-type: none">• Das ist normal.
Das Gerät macht abnormale Geräusche.	<ul style="list-style-type: none">• Das Gerät befindet sich nicht auf einem ebenen Untergrund.• Das Gerät berührt einige Gegenstände um es herum.	<ul style="list-style-type: none">• Die Füße entsprechend einstellen, um das Gerät zu nivellieren.• Die Gegenstände um das Gerät herum entfernen.
Es ist ein leichtes Geräusch zu hören, ähnlich wie dem von fließendem Wasser.	<ul style="list-style-type: none">• -	<ul style="list-style-type: none">• Das ist normal.
Sie hören einen Signalton.	<ul style="list-style-type: none">• Die Kühlschranktür ist offen.	<ul style="list-style-type: none">• Die Tür schließen.
Sie hören ein schwaches Brummen.	<ul style="list-style-type: none">• Das Antikondensationssystem arbeitet.	<ul style="list-style-type: none">• Dies verhindert Kondensation und ist normal.
Die Innenbeleuchtung oder das Kühlsystem funktioniert nicht.	<ul style="list-style-type: none">• Der Netzstecker ist nicht an die Steckdose angeschlossen.• Die Stromversorgung ist nicht intakt.• Die LED-Leuchte ist defekt.	<ul style="list-style-type: none">• Den Netzstecker anschließen.• Die Stromversorgung des Raums überprüfen. Den örtlichen Stromversorger anrufen!• Den Kundenservice kontaktieren, um die Leuchte auszutauschen.
Wasser läuft aus oder tropft aus dem Auslauf des Wasserspenders.	<ul style="list-style-type: none">• Der Wassertank ist nicht korrekt installiert• Der Auslauf des Wasserspenders ist nicht fest mit dem Tank verschraubt.• Am Wasserauslauf fehlt der weiße O-Ring aus Silikon.	<ul style="list-style-type: none">• Den Wassertank wieder in die Kühlschranktür einsetzen und darauf achten, dass er vollständig in die Tür geschoben wird.• Der Wasserauslauf ist fest mit dem Wassertank verschraubt.• Sicherstellen, dass der Wasserauslauf am Tankende einen weißen O-Ring aus Silikon hat, bevor Sie den Wasserauslauf am Wassertank anbringen.



Um den technischen Kundendienst zu kontaktieren, besuchen Sie unsere Website:
<https://corporate.haier-europe.com/en/>

Wählen Sie im Abschnitt „Website“ die Marke Ihres Produkts und Ihr Land aus. Sie werden auf die entsprechende Website weitergeleitet, auf der Sie die Telefonnummer und das Formular zur Kontaktaufnahme mit dem technischen Kundendienst finden.

Stromunterbrechung

Bei Stromausfall sollten die gelagerten Lebensmittel noch 5 Stunden lang frisch gekühlt bleiben. Beachten Sie diese Tipps bei einer längeren Stromunterbrechung, insbesondere im Sommer:

- ▶ Öffnen Sie die Tür/Schublade so selten wie möglich.
- ▶ Legen Sie während eines Stromausfalls keine weiteren Lebensmittel in das Gerät.
- ▶ Wenn der Stromausfall vorher angekündigt wurde und die Unterbrechungsdauer länger als 5 Stunden ist, frieren Sie im Voraus ein paar Eiswürfel oder Kühlakkus ein, und legen Sie diese beim Stromausfall oben in das Kühlfach.
- ▶ Prüfen Sie nach dem Stromausfall direkt, ob die Lebensmittel verdorben sind.
- ▶ Da die Temperatur im Kühlschrank während einer Stromunterbrechung oder eines anderen Fehlers ansteigt, werden die Haltbarkeit und die Qualität der Lebensmittel reduziert. Aufgetaute Lebensmittel sollten entweder verzehrt oder gekocht und (sofern geeignet) gleich danach wieder eingefroren werden, um Gesundheitsrisiken zu vermeiden.



HINWEIS: Speicherfunktion bei Stromunterbrechung

Nach Wiederherstellung der Stromversorgung fährt das Gerät mit den Einstellungen fort, die vor dem Stromausfall eingestellt waren.

Auspacken



WARNUNG!

- ▶ Das Gerät ist schwer. Transportieren oder bewegen Sie es immer mit mindestens zwei Personen.
- ▶ Bewahren Sie sämtliche Verpackungsmaterialien außerhalb der Reichweite von Kindern auf und entsorgen Sie sie umweltfreundlich.
- ▶ Nehmen Sie das Gerät aus der Verpackung.
- ▶ Entfernen Sie alle Verpackungsmaterialien.

Umgebungsbedingungen

Die Raumtemperatur sollte immer zwischen 10°C und 43°C liegen, da sie die Temperatur im Inneren des Geräts und dessen Energieverbrauch beeinflussen kann. Das Gerät nicht in der Nähe anderer wärmeemittierender Geräte (Ofen, Kühlschränke) installieren.

- Subnormal (SN): Dieses Kühlgerät ist für die Verwendung bei einer Umgebungstemperatur zwischen 10°C und 32°C ausgelegt.
- Normal (N): Dieses Kühlgerät ist für die Verwendung bei einer Umgebungstemperatur zwischen 16°C und 32°C ausgelegt.
- Subtropisch (ST): Dieses Kühlgerät ist für die Verwendung bei einer Umgebungstemperatur zwischen 16°C und 38°C ausgelegt.

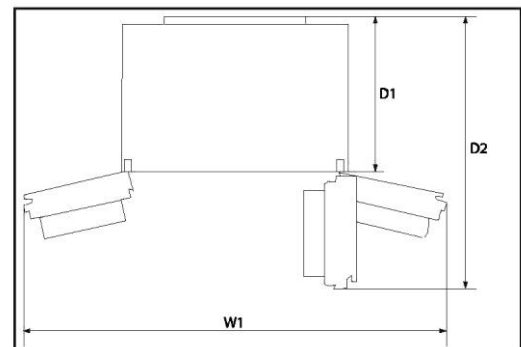
Platzbedarf

Erforderlicher Abstand bei geöffneter Tür:

$W1=157,8\text{ cm}$

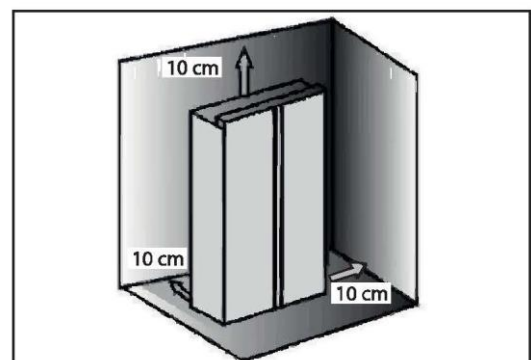
$D1=62,9\text{ cm}$

$D2=117,3\text{ cm}$



Platzbedarf für ausreichende Belüftung

Damit eine ausreichende Belüftung des Geräts gewährleistet wird, dürfen die Hinweise zum ausreichenden Platzbedarf aus Sicherheitsgründen nicht missachtet werden.

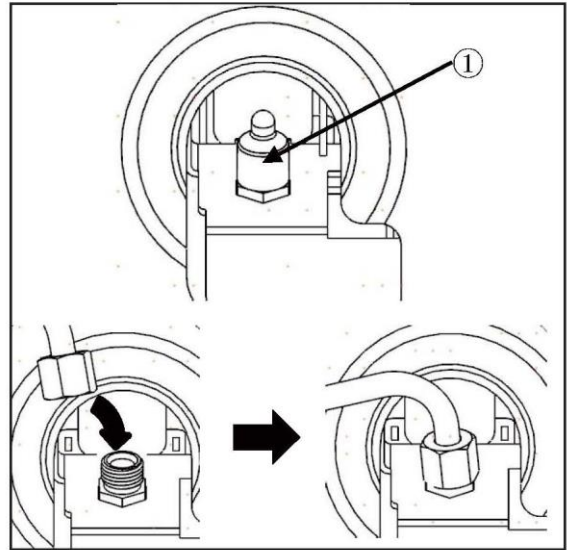


HINWEIS

Für ein frei stehendes Gerät: Dieses Kühlgerät ist nicht zur Verwendung als Einbaugerät bestimmt.

Anschluss des Geräts an die Wasserversorgung

1. Entfernen Sie den Gummistopfen (1) vom Wassereinlassventil.

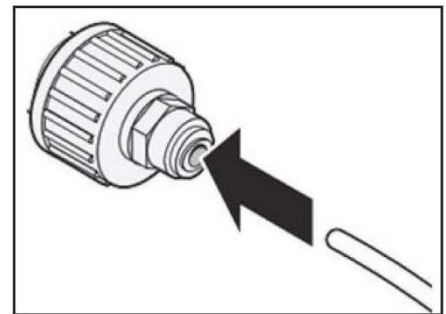


2. Schieben Sie den Wasserschlauch fest auf das Wassereinlassventil und ziehen Sie die Überwurfmutter fest. Diese Wasserleitung muss in der Mitte durchgeschnitten und verwendet werden; der andere Abschnitt dient als Ersatzteil.

Anschluss an den Wasserhahn

Diese Funktion ist nur bei einigen Modellen verfügbar.

1. Stecken Sie den Wasserschlauch in die Öffnung des im Zubehör enthaltenen Wasseranschlusses. Das Rohr muss festgehalten werden, während der Anschluss auf das Rohr geschoben wird.
2. Vergewissern Sie sich, dass die Unterlegscheibe aus Gummi an der Innenseite des Anschlusses angebracht ist, bevor Sie ihn auf den Hahn schrauben.
 - ▶ Möglicherweise muss ein separater Anschluss oder ein Adapter gekauft werden, wenn Ihre Armatur nicht mit der Gewindegröße des mitgelieferten Anschlusses übereinstimmt.



Wasseranschluss prüfen

Diese Funktion ist nur bei einigen Modellen verfügbar.

- ▶ Schalten Sie die Wasserversorgung und das Gerät ein. Prüfen Sie alle Anschlüsse sorgfältig auf mögliche Lecks durch nicht ordnungsgemäß montierte Schläuche.
- ▶ Halten Sie die Taste 3Sec.Filter Reset 3 Sekunden lang gedrückt. Der neue Wasserfilter wurde aktiviert.
- ▶ Stellen Sie einen Becher unter den Wasserspender, um zu prüfen, ob das Wasser durch das Gerät fließt.
- ▶ Prüfen Sie die Anschlussleitung und die Verbindungen noch einmal auf Dichtheit.



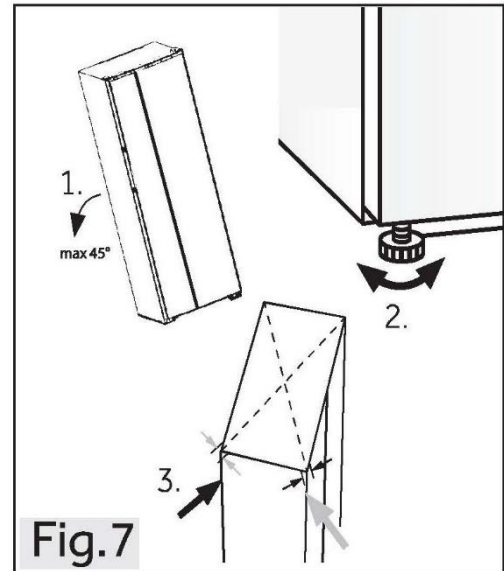
WARNUNG!

- ▶ Achten Sie darauf, dass die Anschlüsse stets fest, trocken und leckfrei sind.
- ▶ Achten Sie darauf, dass der Schlauch nicht gequetscht, geknickt oder verdreht wird.

Geräteausrichtung

Das Gerät sollte auf einer flachen und festen Oberfläche aufgestellt werden.

1. Das Gerät leicht nach hinten neigen (Abb.7).
2. Stellfüße auf die gewünschte Höhe justieren. Achten Sie darauf, dass der Abstand zur Wand an den Scharnierseiten mindestens 10 cm beträgt.
3. Die Stabilität kann durch abwechselndes Anschlagen gegen die Diagonalen überprüft werden. Das leichte Schwanken sollte in beide Richtungen gleich sein. Andernfalls kann sich der Rahmen verziehen; mögliche undichte Türdichtungen sind die Folge. Eine geringe Neigung nach hinten erleichtert das Schließen der Türen.

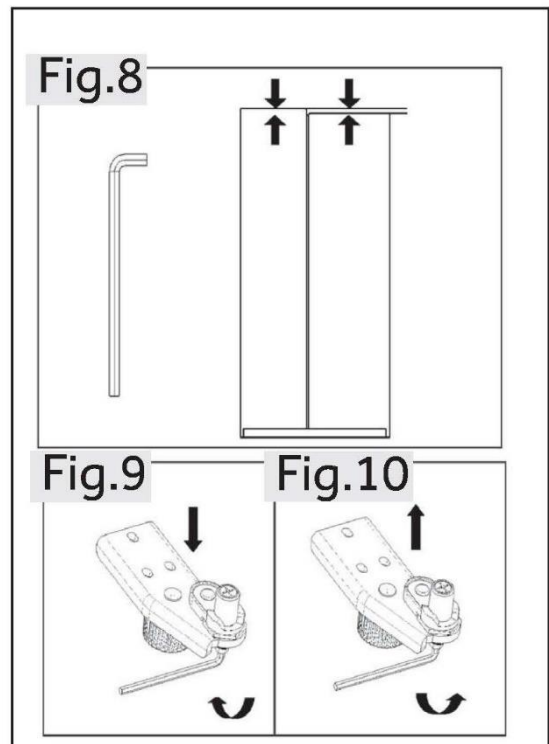


Feinabstimmung der Türen

Wenn die Türen nach dem Justieren der Stellfüße immer noch nicht in der Waage sind, kann dieses durch Drehen der Scharnierhebewelle an der rechten unteren Ecke der Kühlschranktür mit einem Schraubenschlüssel behoben werden (Abb.8).

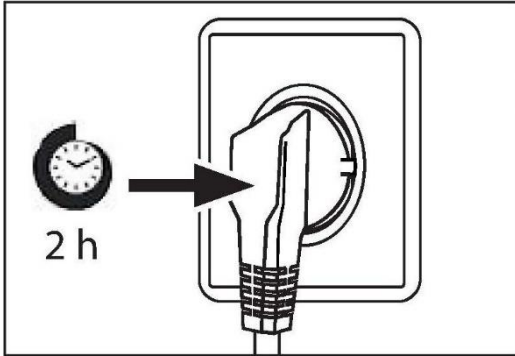
Hebewelle mit Schlüssel im Uhrzeigersinn drehen, um die Türhöhe abzusenken (Abb.9).

Drehen Sie die Hebewelle mit einem Schraubenschlüssel gegen den Uhrzeigersinn, um die Höhe der Tür anzuheben (Abb.10).



**WARNUNG!**

Stellen Sie die Hubwelle des Scharniers nicht so hoch ein, dass die Welle ihre ursprüngliche Verriegelungsposition verlässt (einstellbarer Höhenbereich: 3 mm).

**Wartezeit**

Das wartungsfreie Schmieröl befindet sich in der Kapsel des Kompressors. Dieses Öl kann beim Transport durch das geschlossene Rohrsystem gelangen, wenn das Gerät gekippt wird. Warten Sie mindestens 2 Stunden, bevor Sie das Gerät an die Stromversorgung anschließen, damit das Öl wieder in die Kapsel zurückfließt.

Elektrischer Anschluss**Stellen Sie vor jedem Anschluss sicher, dass:**

- ▶ die Stromversorgung, Steckdose und Sicherung den Angaben auf dem Typenschild entsprechen.
- ▶ die Steckdose geerdet ist und kein Mehrfachstecker oder Verlängerungskabel vorhanden ist.
- ▶ der Netzstecker und die Steckdose richtig zusammenpassen.

Schließen Sie den Stecker an eine ordnungsgemäß installierte Haushaltssteckdose an.

**WARNUNG!**

Um Gefahren zu vermeiden, muss ein beschädigtes Netzkabel vom Kundendienst ausgetauscht werden (siehe Garantiekarte).

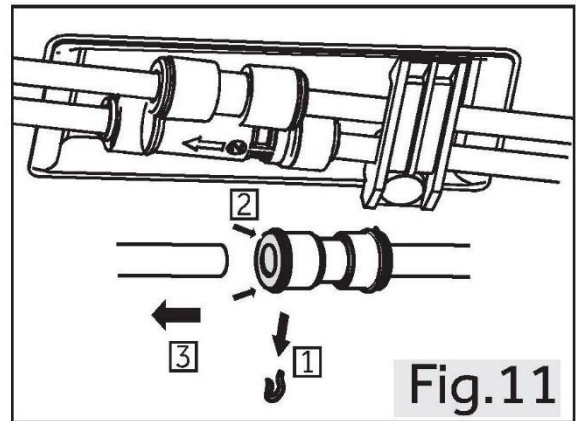
Ausbauen und Einbauen der Türen

Falls Sie die Gerätetüren ausbauen müssen, befolgen Sie die nachstehenden Anweisungen zum Aus- und Einbau der Türen.

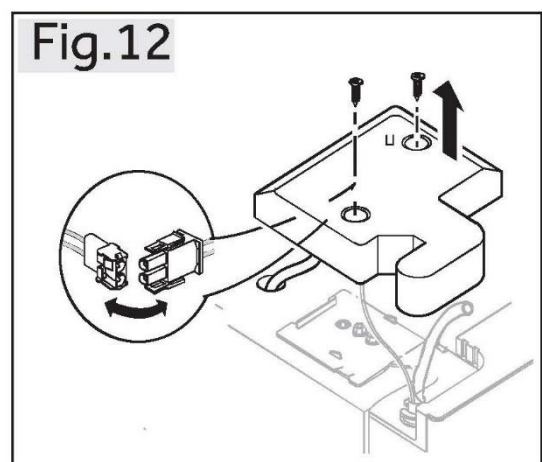
**WARNUNG!**

- ▶ Schalten Sie das Gerät vor der Wartung aus und ziehen Sie den Netzstecker aus der Steckdose.
- ▶ Drehen Sie die Wasserversorgung ab.
- ▶ Das Gerät ist schwer. Transportieren oder bewegen Sie es immer mit mindestens zwei Personen.
- ▶ Neigen Sie das Gerät nicht mehr als 45 Grad und legen Sie es nicht flach auf den Boden.
- ▶ Die Tür kann umfallen und Personen verletzen oder bei diesen Schritten beschädigt werden. Achten Sie bei einem Umzug und beim Abnehmen oder Einsetzen der Türen besonders darauf.

1. Lösen Sie die linke Seite der beiden Wassermuffen am vorderen linken Geräteboden: Drücken und halten Sie den Anschluss wie abgebildet und nehmen Sie die Wasserleitung ab. (Abb. 11).



2. Lösen Sie die Schraube der Scharnierabdeckung und nehmen Sie die Abdeckung ab (Abb. 12). Wenn Sie die Gefrierschranktür abnehmen, trennen Sie alle Drähte mit Ausnahme des Erdungsdrahtes ab.

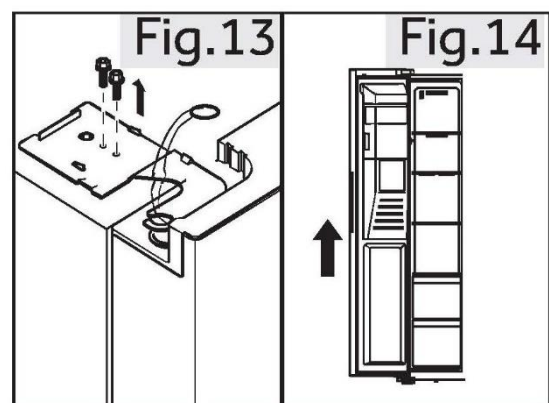


3. Lösen Sie die Schrauben, mit denen das obere Scharnier befestigt ist, und entfernen Sie das Scharnier (Abb. 13).

4. Heben Sie die Tür an, um sie zu entfernen (Abb. 14). Heben Sie die Gefrierschranktür beim Abnehmen hoch genug an, um den Wasseranschluss von der Unterseite des Geräts herauszuziehen.

5. Montieren Sie die Tür in umgekehrter Reihenfolge wie beim Ausbau. Stellen Sie sicher, dass das Erdungskabel mit der Schraube befestigt wird.

6. Schließen Sie den Wasseranschluss wieder an.




HINWEIS: Kühlschrankschranktür

Die Bilder zeigen den Ausbau der Gefrierfachtür. Für die Kühlschrankschranktür verwenden Sie bitte die entsprechenden Teile auf der anderen Seite.



Produktdatenblatt gemäß der EU-Verordnung Nr. 2019/2016

Marke	Haier
Modellname / Kennung	HSW59F18DIMM HSW79F18DIPT
Kategorie des Modells	Kühl-Gefrierkombination
Energieeffizienzklasse	D
Jährlicher Energieverbrauch (kWh/Jahr) ⁽¹⁾	267
Gesamtvolumen (L)	601
Volumen Kühlschrank (L)	391
Volumen Gefrierschrank (L)	210
Sterne-Bewertung	
Temperatur der anderen Fächer >14°C	Nicht anwendbar
Frostfreies System	Ja
Gefrierleistung (kg/24h)	10
Klima-Bewertung ⁽²⁾	SN-N-ST
Geräuschemissionsklasse und Luftschallemissionen (db(A) re 1pW)	C(36)
Temperaturanstiegszeit (h)	5
Leistung des Eiswürfelbereiters	0,8 kg/24h
Gerätetyp	Freistehend

Erläuterungen:

- Ja, vorhanden

- (1) Basierend auf den Ergebnissen des Normenkonformitätstests über 24 Stunden. Der tatsächliche Verbrauch hängt von der Verwendung und dem Standort des Geräts ab.
- (2) Klima-Bewertung SN: Dieses Gerät ist für die Verwendung bei einer Umgebungstemperatur zwischen +10 °C und +32 °C ausgelegt.
 Klima-Bewertung N: Dieses Gerät ist für die Verwendung bei einer Umgebungstemperatur zwischen +16°C und +32°C ausgelegt.
 Klima-Bewertung ST: Dieses Gerät ist für die Verwendung bei einer Umgebungstemperatur zwischen +16°C und +38°C ausgelegt.

Zusätzliche technische Daten

Spannung / Frequenz	220-240V~/50Hz
Eingangsstrom (A)	1,8
Eingangsleistung Abtauen (W)	220
Hauptsicherung (A)	15
Kühlmittel	R600a
Abmessungen (H/B/T in mm)	1775/905/726



Wir empfehlen unseren Haier Kundendienst und die Verwendung von Original-Ersatzteilen. Wenn Sie Probleme mit dem Gerät haben, lesen Sie bitte zuerst den Abschnitt „FEHLERBEHEBUNG“.

Wenn Sie dort keine Lösung finden, wenden Sie sich bitte an

- ▶ Ihren Händler vor Ort oder
- ▶ an unser Europäisches Call-Service-Center (siehe unten aufgeführte Telefonnummern) oder
- ▶ an den Service und Support unter www.haier.com, wo Sie den Service aktivieren können.
- ▶ Hier finden Sie auch FAQs.

Um unseren Kundendienst zu kontaktieren, stellen Sie sicher, dass Sie die folgenden Daten zur Hand haben.

Die Informationen finden Sie auf dem Typenschild.

Modell _____

Seriennummer _____

Prüfen Sie im Garantiefall auch die mit dem Produkt mitgelieferte Garantiekarte.

Europäisches Call-Service-Center		
Land*	Telefonnummer	Kosten
Haier Italy (IT)	199 100912	
Haier Spain (ES)	902 509 123	
Haier Germany (DE)	0180539 39 99	<ul style="list-style-type: none">• 14 Ct/Min Festnetz• max. 42 Ct/Min Mobil
Haier Austria (AT)	0820 001 205	<ul style="list-style-type: none">• 14,53 Ct/Min Festnetz• max. 20 Ct/Min alle anderen
Haier United Kingdom (UK)	0333 003 8122	
Haier France (FR)	0980 406 409	



* Weitere Informationen finden Sie unter www.haier.com

Haier Europe Trading S.r.l

Niederlassung UK

Westgate House, Westgate, Ealing

London, W5 1YY

*Gewährleistungsdauer des Kühlgeräts:

Die Mindestgarantie beträgt: 2 Jahre für EU-Länder, 3 Jahre für die Türkei, 1 Jahr für Großbritannien, 1 Jahr für Russland, 3 Jahre für Schweden, 2 Jahre für Serbien, 5 Jahre für Norwegen, 1 Jahr für Marokko, 6 Monate für Algerien, Tunesien keine gesetzliche Gewährleistung erforderlich.

*Der Zeitraum für die Beschaffung von Ersatzteilen für die Reparatur des Geräts:

Thermostate, Temperatursensoren, Leiterplatten und Leuchtmittel sind für einen Zeitraum von mindestens sieben Jahren nach Inverkehrbringen des letzten Gerätes des Modells erhältlich.

Türgriffe, Türscharniere, Ablagen und Schubladen für eine Mindestdauer von sieben Jahren und Türdichtungen für eine Mindestdauer von 10 Jahren, nachdem das letzte Gerät des Modells in Verkehr gebracht wurde.

*Weitere Informationen zum Produkt finden Sie entweder unter <https://eprel.ec.europa.eu/> oder Sie scannen den QR-Code auf dem Energielabel, das dem Gerät beiliegt.

Haier

2023 Fassung A



0060535837



Índice

Información de seguridad.....	94
Uso previsto.....	99
Descripción del producto	100
Panel de control	101
Uso	102
Equipamiento	115
Cuidado y limpieza.....	117
Solución de problemas.....	122
Instalación	126
Datos técnicos	131
Atención al cliente	133



Gracias



Gracias por comprar un producto Haier.

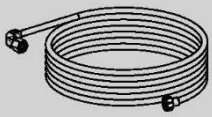
Lea atentamente estas instrucciones antes de utilizar este electrodoméstico. Estas instrucciones contienen información importante que le ayudará a sacar el máximo provecho del electrodoméstico y a garantizar una instalación, uso y mantenimiento seguros y adecuados.

Guarde este manual en un lugar seguro para poder consultarlo en cualquier momento y garantizar un uso seguro y adecuado del electrodoméstico.

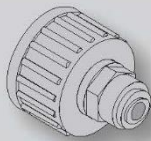
Si vende este electrodoméstico, lo dona o lo deja al mudarse, asegúrese de entregar también este manual para que el nuevo propietario pueda familiarizarse con el electrodoméstico y las advertencias de seguridad.

Accesorios

Verifique los accesorios y la documentación según la siguiente lista:



*Tubería de agua



*Conector de agua



Etiqueta energética



Tarjeta de garantía



Guía rápida



ADVERTENCIA: Información de seguridad importante



AVISO: Información general y consejos



Información medioambiental



Eliminación

Ayude a proteger el medio ambiente y la salud humana. Tire el embalaje en los contenedores correspondientes para reciclarlo. Ayude a reciclar los residuos de aparatos eléctricos y electrónicos. No deseche los aparatos marcados con este símbolo en la basura doméstica. Lleve el producto a su planta de reciclaje local o póngase en contacto con su oficina municipal.



ADVERTENCIA

¡Peligro de lesiones o asfixia!

Los refrigerantes y gases deben ser eliminados de forma profesional. Asegúrese de que la tubería del circuito refrigerante no está dañada antes de desecharla adecuadamente. Desconecte el electrodoméstico de la red eléctrica. Corte el cable de red y deséchelo. Quite las bandejas y los cajones, así como el asa de la puerta y las juntas, para evitar que los niños y las mascotas se queden encerrados en el electrodoméstico.



Antes de encender el electrodoméstico por primera vez, lea las siguientes directrices de seguridad:



¡ADVERTENCIA!

Antes del primer uso

- ▶ Asegúrese de que no haya daños causados por el transporte.
- ▶ Retire todo el embalaje y manténgalo fuera del alcance de los niños.
- ▶ Espere al menos dos horas antes de instalar el electrodoméstico para asegurarse de que el circuito refrigerante sea totalmente eficiente.
- ▶ Este electrodoméstico pesa mucho: manipúlelo con la ayuda de otra persona.

Instalación

- ▶ Este electrodoméstico debe colocarse en un lugar bien ventilado. Asegúrese de dejar un espacio libre de al menos 10 cm por encima y alrededor del electrodoméstico.
- ▶ No coloque el electrodoméstico en un área húmeda o en un lugar donde pueda recibir salpicaduras de agua. Limpie y seque las salpicaduras y manchas con un paño suave y limpio.
- ▶ No instale el electrodoméstico bajo la luz directa del sol o cerca de fuentes de calor (p. ej.: fogones, estufas...).
- ▶ Instale y nivele el electrodoméstico en un lugar adecuado para su tamaño y uso.
- ▶ Mantenga libres de obstrucciones los orificios de ventilación del electrodoméstico o de la estructura en la que esté colocado.
- ▶ Asegúrese de que la información eléctrica de la placa de características técnicas coincida con la fuente de alimentación. Si no es así, póngase en contacto con un electricista.
- ▶ Este electrodoméstico funciona mediante una fuente de alimentación de 220-240 V CA/50 Hz. Una fluctuación anormal del voltaje puede provocar que el electrodoméstico no se ponga en marcha o que se dañe el control de temperatura o el compresor, o que se oiga un ruido anormal durante el funcionamiento. En tal caso, se deberá instalar un regulador automático.
- ▶ No utilice adaptadores de múltiples contactos ni cables de extensión.
- ▶ No ubique tomas de corriente múltiples portátiles ni fuentes de alimentación portátiles en la parte trasera del electrodoméstico.
- ▶ Asegúrese de que el cable de alimentación no quede aprisionado por el frigorífico. No oprima el cable de alimentación.

¡ADVERTENCIA!

- ▶ Utilice una toma de corriente independiente puesta a tierra como fuente de alimentación, que sea de fácil acceso. Este electrodoméstico debe conectarse a tierra.
Solo para el Reino Unido: El cable de alimentación de este electrodoméstico está equipado con un enchufe de 3 cables (con puesta a tierra) que se ajusta a una toma de corriente estándar de 3 cables (puesta a tierra). No corte ni desmonte la tercera patilla (toma de tierra). Una vez instalado el electrodoméstico, el enchufe debe ser accesible.

- ▶ No dañe el circuito del refrigerante.

Uso diario

- ▶ Este electrodoméstico puede ser utilizado por niños a partir de 8 años y por personas con capacidades físicas, sensoriales o mentales reducidas, o sin experiencia o conocimientos previos, siempre y cuando hayan recibido la supervisión y las instrucciones necesarias para utilizar el electrodoméstico de forma segura y comprendan los riesgos que implica.
- ▶ Se permite que los niños de 3 a 8 años llenen y vacíen electrodomésticos de refrigeración, pero no están autorizados a limpiarlos o instalarlos.
- ▶ Mantenga alejados del electrodoméstico a los niños menores de 3 años a menos que estén constantemente supervisados.
- ▶ Los niños no deben jugar con este electrodoméstico.
- ▶ Si hay una fuga de un gas inflamable en las proximidades del electrodoméstico, cierre la válvula de gas que presente la fuga, abra las puertas y ventanas y no desconecte ni conecte el cable de alimentación del frigorífico o de cualquier otro electrodoméstico.
- ▶ Tenga en cuenta que el electrodoméstico está configurado para funcionar en un intervalo de temperatura ambiente específico de entre 10 y 38 °C. El electrodoméstico no puede funcionar correctamente si se deja durante mucho tiempo a una temperatura superior o inferior al intervalo indicado.
- ▶ No coloque artículos inestables (objetos pesados, recipientes llenos de agua) en la parte superior del frigorífico, a fin de evitar lesiones personales causadas por caídas o descargas eléctricas causadas por el contacto con el agua.
- ▶ No tire de los estantes de la puerta. Se puede tirar de la puerta de forma inclinada, el botellero puede retirarse o el electrodoméstico puede volcar.
- ▶ Abra y cierre las puertas solamente usando las asas. El hueco entre las puertas y entre las puertas y el armario es muy estrecho. No ponga las manos en estas áreas para evitar pillarse los dedos. Abra o cierre las puertas del frigorífico solo cuando no haya niños dentro del área de movimiento de la puerta.



¡ADVERTENCIA!

- ▶ No almacene ni utilice elementos inflamables, explosivos o corrosivos en el electrodoméstico ni cerca de él.
 - ▶ No guarde medicamentos, bacterias ni agentes químicos en el electrodoméstico. Este aparato es un electrodoméstico. No se recomienda almacenar materiales que requieran temperaturas extremas.
 - ▶ Nunca almacene líquidos en botellas o latas (aparte de bebidas de alto grado alcohólico), especialmente las bebidas carbonatadas, en el congelador, ya que se romperían durante la congelación.
 - ▶ Compruebe el estado de los alimentos si se ha producido un calentamiento en el congelador.
 - ▶ No ajuste una temperatura demasiado baja sin necesidad en el compartimento frigorífico. Los ajustes más altos pueden generar temperaturas bajo cero. Atención: Las botellas pueden reventar.
 - ▶ No toque los productos congelados con las manos mojadas (use guantes). Sobre todo, no coma hielo inmediatamente después de haberlo sacado del congelador. Existe el riesgo de congelación o de formación de ampollas. **PRIMEROS AUXILIOS:** poner inmediatamente bajo el grifo de agua fría. ¡No tirar!
 - ▶ No toque la superficie interior del compartimento de almacenamiento del frigorífico cuando esté en funcionamiento, especialmente con las manos mojadas, ya que las manos pueden congelarse por la superficie.
 - ▶ Desenchufe el electrodoméstico en caso de interrupción del suministro eléctrico o antes de limpiarlo. Espere al menos 7 minutos antes de volver a poner en marcha el aparato, ya que un arranque frecuente puede dañar el compresor.
 - ▶ No deben utilizarse dispositivos eléctricos dentro de los compartimentos para alimentos del electrodoméstico, salvo que sean del tipo recomendado por el fabricante.
- Mantenimiento / limpieza
- ▶ Asegúrese de que los niños están bajo supervisión si realizan tareas de limpieza y mantenimiento.
 - ▶ Desconecte el electrodoméstico de la red eléctrica antes de realizar cualquier mantenimiento rutinario. Deje pasar al menos 5 minutos antes de reiniciar el electrodoméstico, ya que el arranque frecuente puede dañar el compresor.

¡ADVERTENCIA!

- ▶ Cuando desenchufe el electrodoméstico, hágalo por la clavija, no por el cable.
- ▶ No limpie el electrodoméstico con cepillos duros, cepillos de alambre, detergente en polvo, gasolina, acetato de amilo, acetona y soluciones orgánicas similares, soluciones ácidas o alcalinas. Limpie con un detergente especial para frigoríficos para evitar daños.
- ▶ No raspe la escarcha y el hielo con objetos afilados. No utilice aerosoles, calentadores eléctricos como secadores de pelo, limpiadores a vapor u otras fuentes de calor para evitar dañar las piezas de plástico.
- ▶ No utilice dispositivos mecánicos ni otros equipos para acelerar el proceso de descongelación, salvo aquellos recomendados por el fabricante.
- ▶ Si el cable de alimentación está dañado, debe ser sustituido por el fabricante, por su servicio técnico o por cualquier profesional cualificado similar para evitar riesgos.
- ▶ No intente reparar, desmontar o modificar el aparato por su cuenta. En caso de requerir una reparación, póngase en contacto con nuestro servicio de atención al cliente.
- ▶ Saque el polvo de la parte posterior de la unidad al menos una vez al año para evitar el riesgo de incendio, así como un mayor consumo de energía.
- ▶ No rocíe ni enjuague el electrodoméstico durante la limpieza.
- ▶ No use agua pulverizada o vapor para limpiar el electrodoméstico.
- ▶ No limpie los estantes de cristal fríos con agua caliente. Un cambio repentino de temperatura puede causar que el cristal se rompa.

Información sobre el gas refrigerante

¡ADVERTENCIA!

Este electrodoméstico contiene el refrigerante inflamable ISOBUTANO (R600a). Asegúrese de no dañar el circuito refrigerante durante el transporte o la instalación. La fuga de refrigerante puede causar lesiones oculares o incendios. Si se produce algún daño, manténgase alejado de llamas abiertas, ventile bien la habitación y no conecte o desconecte los cables de alimentación de este ni de cualquier otro electrodoméstico. Informe al servicio de atención al cliente.

En caso de que los ojos entren en contacto con el refrigerante, enjuáguelos inmediatamente con agua corriente y llame inmediatamente a un oftalmólogo.



Uso previsto

Este electrodoméstico está diseñado para enfriar y congelar alimentos. Ha sido diseñado exclusivamente para su uso en aplicaciones domésticas y similares, como áreas de cocina para personal de tiendas, oficinas y otros entornos de trabajo; granjas y el uso por clientes en hoteles, moteles y otros entornos de tipo residencial, así como en alojamientos y restauración. No está destinado a un uso comercial o industrial.

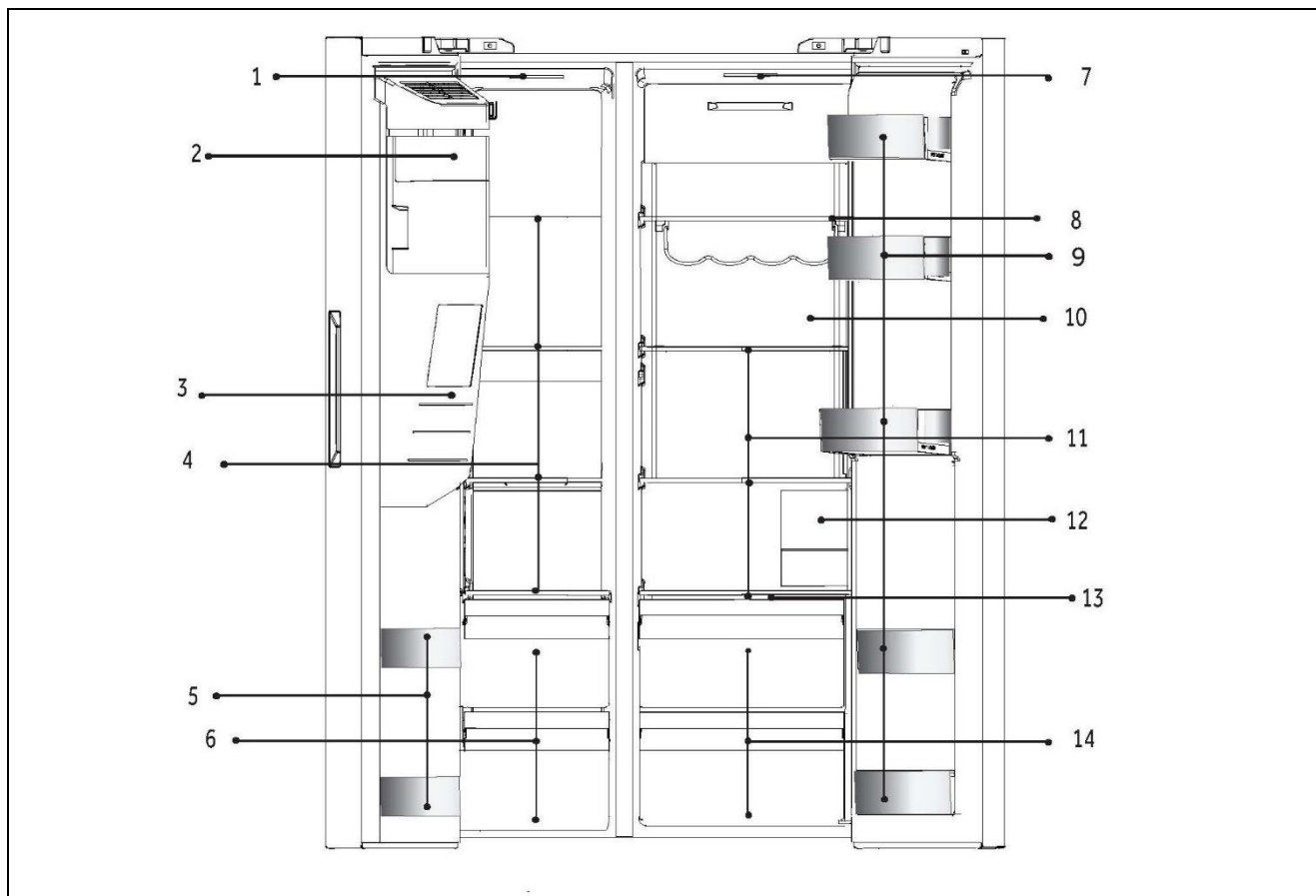
No se permite realizar cambios o modificaciones en el electrodoméstico. Un uso no previsto puede causar riesgos y la pérdida de reclamaciones de garantía.

Normas y directivas y

Este producto cumple los requisitos de todas las directivas CE aplicables con las correspondientes normas acordadas y normas del RU que establecen el mercado CE y UKCA.

i Aviso

Debido a cambios técnicos y a las diferencias entre modelos, algunas de las ilustraciones de este manual pueden diferir de su modelo.



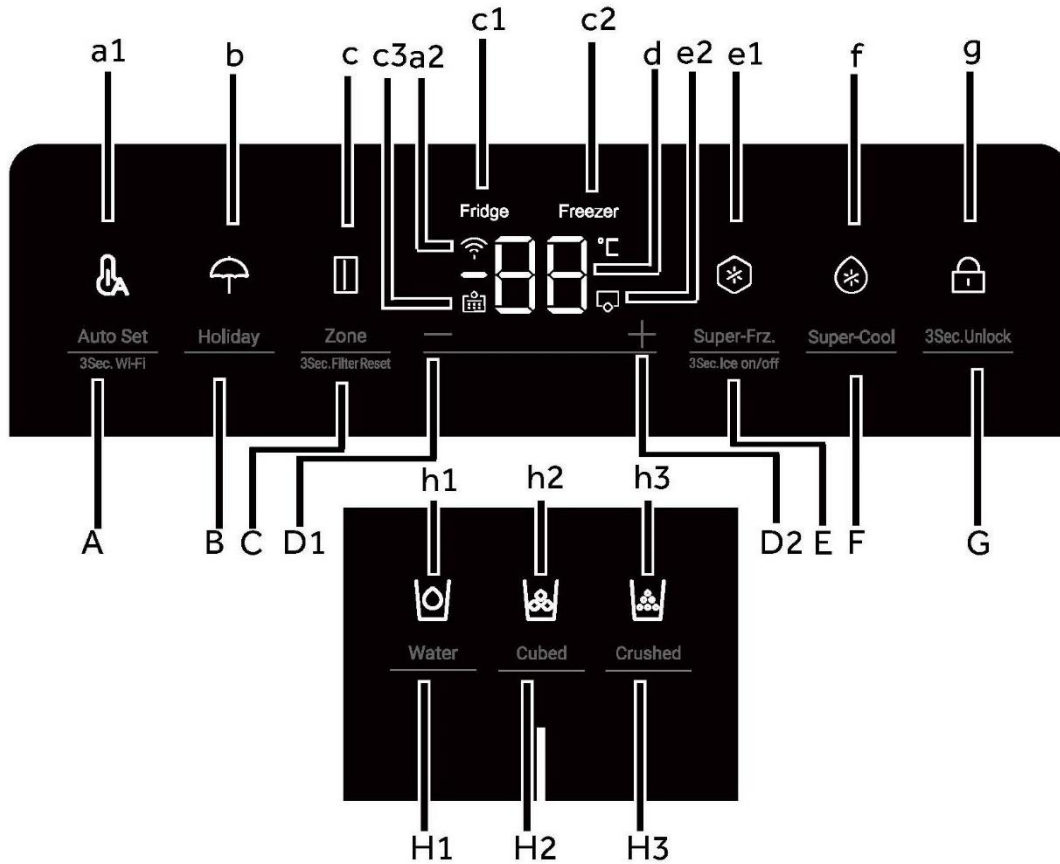
A: Compartimento congelador

- 1 Lámpara de techo
- 2 Fabricador de cubitos de hielo con depósito de hielo
- 3 Dispensador de agua y hielo
- 4 Estantes de cristal
- 5 Soporte para botellas
- 6 Cajones

B: Compartimento frigorífico

- 7 Lámpara de techo
- 8 Estante para el vino
- 9 Soporte para botellas
- 10 Lámpara trasera (HSW79F18DIPT)
- 11 Estantes de cristal
- 12 Filtro de agua
- 13 Placa de cubierta de Wet zone
- 14 Cajones

Panel de control



Teclas:

- A Función Auto Set / 3 sec. Wi-Fi
- B Función Holiday
- C Selección de zona/3Sec. Filter Reset
- D1 Botón de ajuste de la temperatura "-"
- D2 Botón de ajuste de la temperatura "+"
- E Función Super-Freeze/3sec. Ice on/off
- F Función Super-Cool
- G Selector de bloqueo del panel
- H1 Selector de la función Water intake
- H2 Selector de la función Cubed ice
- H3 Selector de la función Crushed ice

Indicadores:

- a1 Modo Auto Set
- a2 Función Wi-Fi
- b Modo Holiday
- c Indicador de zona
- c1 Indicador del frigorífico
- c2 Indicador del congelador
- c3 Función de restablecimiento del filtro
- d Indicador de temperatura
- e1 Modo Super-Freeze
- e2 Modo Ice maker
- f Modo Super-Cool
- g Bloqueo del panel
- h1 Función Water intake
- h2 Función Cubed ice
- h3 Función Crushed ice



Antes del primer uso

- ▶ Retire todo el material de embalaje, manténgalo fuera del alcance de los niños y deséchelo de forma respetuosa con el medio ambiente.
- ▶ Limpie el interior y el exterior del electrodoméstico con agua y un detergente suave antes de introducir cualquier alimento en él.
- ▶ Después de nivelar y limpiar el electrodoméstico, espere al menos 2-5 horas antes de conectarlo a la fuente de alimentación. Ver sección INSTALACIÓN.
- ▶ Enfríe previamente los compartimentos a altas temperaturas antes de cargarlos con alimentos. La función Power-Freeze ayuda a enfriar rápidamente los compartimentos.
- ▶ Las temperaturas del frigorífico y del congelador se ajustan automáticamente a 5 °C y -18 °C respectivamente. Estos son los ajustes recomendados. Si lo desea, puede cambiar estas temperaturas manualmente. Consulte la sección AJUSTE DE LA TEMPERATURA.

Teclas táctiles

Los botones del panel de control son teclas táctiles, que se activan incluso cuando se rozan ligeramente con el dedo.

Encender/apagar el electrodoméstico

El electrodoméstico se pondrá en marcha en cuanto se conecte a la fuente de alimentación.

Las temperaturas mostradas corresponden a las temperaturas ajustadas en el compartimento.

Puede que el bloqueo del panel esté activo.

Aviso

Cuando se enciende el electrodoméstico después de desconectarlo de la fuente de alimentación principal, alcanzar las temperaturas correctas puede tomar hasta 12 horas.

Vacíe el electrodoméstico antes de apagarlo. Para apagar el electrodoméstico, retire el cable de alimentación de la toma de corriente.

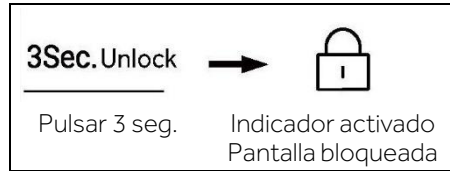
AVISO

Al encender el frigorífico por primera vez, el indicador se ilumina. La temperatura del frigorífico y la temperatura del congelador se ajustan automáticamente entre 5 °C y -18 °C respectivamente.



Panel de bloqueo/desbloqueo

1. Bloqueo automático: Cuando las puertas del frigorífico y del congelador están cerradas y no se toca ninguna tecla en 30 segundos, la pantalla se apaga y se bloquea automáticamente.



2. Bloqueo manual: Cuando la pantalla está desbloqueada, pulse el botón "G" (selector de bloqueo del panel) y manténgalo pulsado durante 3 segundos; el zumbador suena una vez, el indicador "g" (bloqueo del panel) se ilumina y la pantalla queda bloqueada.



Ajuste de la temperatura

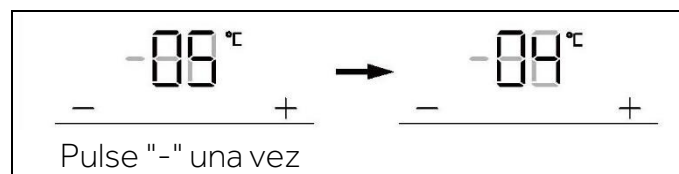
Las temperaturas interiores están influenciadas por los siguientes factores:

- ▶ Temperatura ambiente
- ▶ Frecuencia de apertura de la puerta
- ▶ Cantidad de alimentos almacenados
- ▶ Instalación del electrodoméstico

Ajustar la temperatura del frigorífico

1. Cuando la pantalla esté desbloqueada, pulse el botón "C" (selector de zona). El zumbador suena una vez, el indicador "c1" (indicador del frigorífico) parpadea y se accede al modo de ajuste de la temperatura del frigorífico.

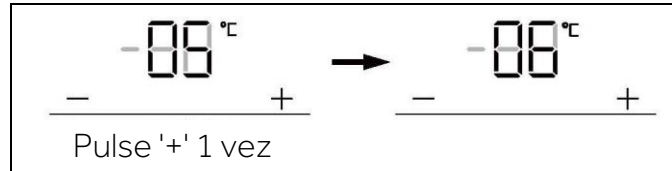
2. Pulse el botón "D1" (botón de ajuste de la temperatura "-"); el zumbador sonará una vez y la temperatura del frigorífico se reducirá en 1 grado. La temperatura del frigorífico se mostrará en la secuencia "9 °C -> 8 °C -> 7 °C -> 6 °C -> 5 °C -> 4 °C -> 3 °C -> 2 °C -> 1 °C".





Ajuste de la temperatura del frigorífico

3. Pulse el botón "D2" (botón de ajuste de la temperatura "+"); el zumbador suena una vez y la temperatura del frigorífico aumentará en 1 grado. La temperatura del frigorífico se mostrará en la secuencia "1 °C -> 2 °C -> 3 °C -> 4 °C -> 5 °C -> 6 °C -> 7 °C -> 8 °C -> 9 °C".



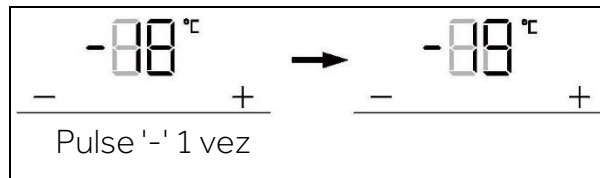
Aviso

Después de ajustar la temperatura, si no se realiza otra ninguna acción en 5 segundos, el sistema guardará automáticamente la temperatura seleccionada.

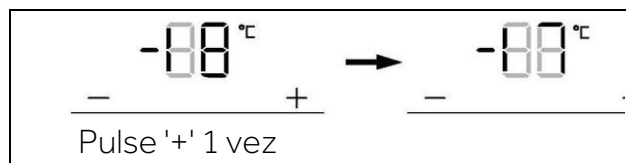
Ajustar la temperatura del congelador

1. Cuando la pantalla esté desbloqueada, pulse el botón "C" (selector de zona). El zumbador suena una vez, el indicador "c2" (indicador del congelador) parpadea y se accede al modo de ajuste de la temperatura del congelador.

2. Pulse el botón "D1" (botón de ajuste de la temperatura "-"); el zumbador suena una vez y la temperatura del congelador se reducirá en 1 grado. La temperatura del congelador se mostrará en la secuencia "-14 °C -> -15 °C -> -16 °C -> -17 °C -> -18 °C -> -19 °C -> -20 °C -> -21 °C -> -22 °C -> -23 °C -> -24 °C".



3. Pulse el botón "D2" (botón de ajuste de la temperatura "+"); el zumbador suena una vez y la temperatura del congelador aumentará en 1 grado. La temperatura del congelador se mostrará en la secuencia "-24 °C -> -23 °C -> -22 °C -> -21 °C -> -20 °C -> -19 °C -> -18 °C -> -17 °C -> -16 °C -> -15 °C -> -14 °C".



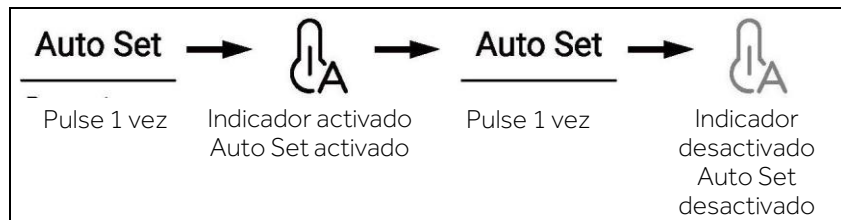
Aviso

Después de ajustar la temperatura, si no se realiza otra ninguna acción en 5 segundos, el sistema guardará automáticamente la temperatura seleccionada.



Modo Auto Set

1. Cuando la pantalla esté desbloqueada, pulse el botón "A" (selector del modo Auto Set); el zumbador suena una vez, se ilumina el indicador "a1" (modo Auto Set) y, a continuación, se activa la función Auto Set.
2. Cuando se encienda el indicador "a1" (modo Auto Set), pulse el botón "A" (selector del modo Auto Set); el zumbador suena una vez, se apaga el indicador "a1" (modo Auto Set) y, a continuación, se apaga la función Auto Set.



Aviso

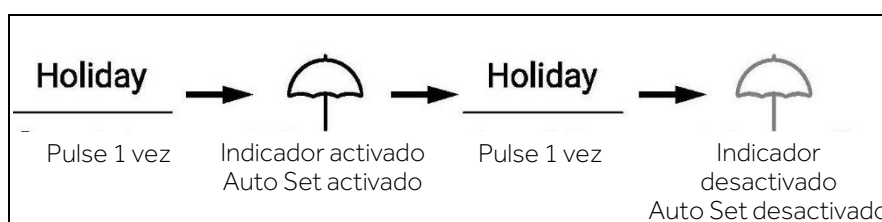
En el modo Auto Set no se puede ajustar la temperatura del frigorífico o del congelador. Si se pulsa el botón "D1" (botón de ajuste de la temperatura "-") o el botón "D2" (botón de ajuste de la temperatura "+") para ajustar la temperatura del frigorífico o del congelador, el indicador "a1" (indicador Auto Set) parpadeará con un sonido de aviso para indicar que esta operación no se puede realizar.

En el modo Auto Set, debido a diferentes métodos de control, si se configura la función "Super-Cool", "Super-Freeze" o "Holiday", el indicador "a1" (modo Auto Set) se apaga y la función Auto Set se desactivará automáticamente.

Modo Holiday

El modo Holiday está diseñado para no utilizar el frigorífico durante mucho tiempo. Cuando el modo Holiday está encendido, el congelador está en condiciones normales de control, y la temperatura del frigorífico se ajusta automáticamente a 17 °C. La temperatura real no es superior a 17 °C, lo que previene la aparición de olores peculiares causadas por la sobretemperatura, y ayuda a reducir el consumo de energía al mismo tiempo.

1. Cuando la pantalla esté desbloqueada, pulse el botón "B" (selector del modo Holiday); el zumbador suena una vez, se ilumina el indicador "b" (modo Holiday) y, a continuación, se activa la función Holiday.
2. Cuando el indicador "b" (modo Holiday) se ilumina, pulse el botón "B" (selector del modo Holiday); el zumbador suena una vez, se apaga el indicador "b" (modo Holiday) y, a continuación, se desactiva la función Holiday.



i Aviso

En el estado Holiday, la temperatura del frigorífico no se puede ajustar. Si se pulsa el botón "D1" (botón de ajuste de la temperatura "-") o "D2" (botón de ajuste de la temperatura "+") para ajustar la temperatura del frigorífico, el indicador "b" (indicador Holiday) parpadeará con un sonido de aviso para indicar que esta operación no se puede realizar.

Antes de usar la función Holiday, vacíe la nevera para evitar que la comida se eche a perder. Cuando la función Holiday está activada, la función "Auto Set" o "Super-Cool" no se pueden encender al mismo tiempo.

Función Super-Cool

1. Cuando la pantalla esté desbloqueada, pulse el botón "F" (selector de la función Super-Cool); el zumbador suena una vez, se ilumina el indicador "f" (función Super-Cool) y, a continuación, se activa la función Super-Cool.
2. Cuando se encienda el indicador "f" (función Super-Cool), pulse el botón "F" (selector de Super-Cool); el zumbador suena una vez, el indicador "f" (función Super-Cool) se apaga y la función Super-Cool se desactivará.
3. Después de activar la función Super-Cool, el frigorífico desactivará automáticamente la función cuando se alcance la temperatura establecida. Si desea salir de forma manual, puede pulsar el botón "F" (selector de la función Super-Cool) para apagarla.



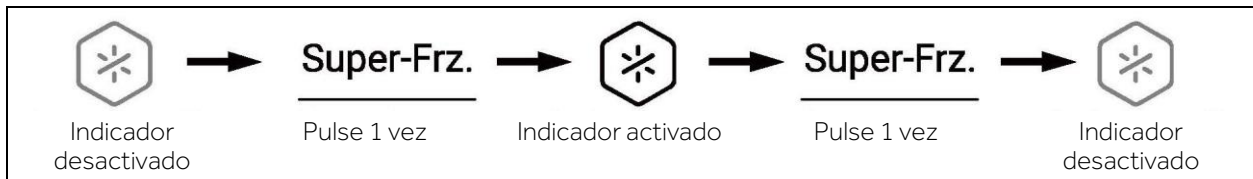
i Aviso

En estado Super-Cool, la temperatura del frigorífico no se puede ajustar. Si se pulsa el botón "D1" (botón de ajuste de la temperatura "-") o "D2" (botón de ajuste de la temperatura "+") para ajustar la temperatura del frigorífico, el indicador "f" (indicador Super-Cool) parpadeará con un sonido de aviso para indicar que esta operación no se puede realizar.

En estado de la función Super-Cool, la función Auto-set o la función Holiday no pueden activarse al mismo tiempo debido a diferentes modos de control. Cuando elija una función que esté en conflicto con otra función, la función original se desactivará automáticamente.

Función Super-Freeze (Super-Frz)

1. Cuando la pantalla esté desbloqueada, pulse el botón "E" (selector de Super-Frz.); el zumbador suena una vez, el indicador "e1" (función Super-Freeze) se ilumina y, a continuación, la función Super-Freeze se activa.
2. Cuando se encienda el indicador "e1" (función Super-Freeze), pulse el botón "E" (selector de Super-Frz.); el zumbador suena una vez, se apaga el indicador "e1" (función Super-Freeze) y, a continuación, se desactiva la función Super-Freeze.
3. Una vez activada la función Super-Freeze, el frigorífico la desactivará automáticamente cuando alcance la temperatura establecida. Si desea salir de forma manual, puede pulsar el botón "E" (selector de la función Super-Frz.) para apagarla.



Aviso

En estado Super-Freeze, la temperatura del congelador no se puede ajustar. Si pulsa "D1" (botón de ajuste de la temperatura "-") o "D2" (botón de ajuste de la temperatura "+") para ajustar la temperatura del congelador, el indicador "e1" (indicador Super-Frz.) parpadeará con un sonido de aviso para indicar que esta operación no se puede realizar.

En estado de la función Super-Freeze, la función Auto-set no puede activarse al mismo tiempo debido a diferentes modos de control. Cuando elija una función que esté en conflicto con otra función, la función original se desactivará automáticamente.

Función de filtro

Cuando el frigorífico lleve en funcionamiento seis meses, se iluminará el indicador de recordatorio "c3" (función de restablecimiento del filtro) para recordar a los usuarios que sustituyan el filtro. Al cambiar el filtro, mantenga pulsado el botón "C" (Selector de la función de restablecimiento del filtro) durante 3 segundos para cancelar el recordatorio, el temporizador se restablecerá y el zumbador emitirá un sonido.



Aviso

La vida útil normal del filtro es de seis meses. Se recomienda reemplazar el filtro cada seis meses.

Modo Ice maker

1. En estado de desbloqueo, pulse el botón "E" (selector del modo Ice maker) y manténgalo pulsado durante 3 segundos; el zumbador suena una vez, el indicador "e2" (modo Ice maker) se ilumina, y a continuación el modo Ice maker se activará.
2. Cuando se ilumine el indicador "e2" (modo Ice maker), pulse el botón "E" (selector del modo Ice maker) y manténgalo pulsado durante 3 segundos; el zumbador suena una vez, el indicador "e2" (modo Ice maker) se apaga y el modo Ice maker se desactiva.



Aviso

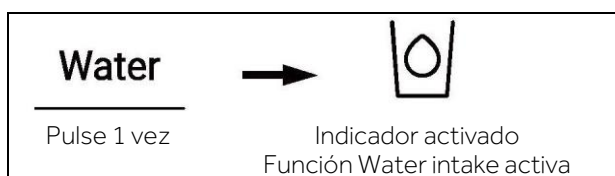
Al encender la aplicación, el fabricante de hielo está apagado por defecto.

Cuando no necesite cubitos de hielo durante un largo periodo de tiempo, apague la función Ice maker, vacíe el recipiente e inserte el recipiente limpio.

El sistema de fabricación de cubitos hielo solo puede configurarse de fábrica o adquirirse en su agente de servicio.

Función Water intake

En cualquier estado (bloqueado o desbloqueado), pulse el botón "H1" (selector de la función Water intake), el zumbador suena una vez, se ilumina el indicador "h1" (función Water intake) y, a continuación, se activará la función de dispensación de agua.



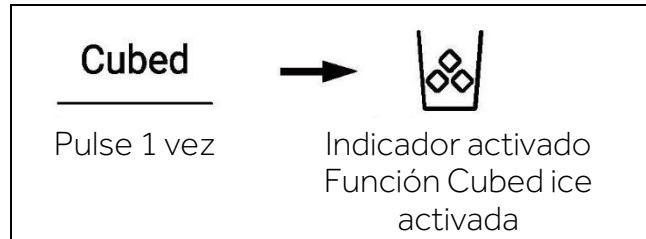
Aviso

1. Cuando se enciende el indicador "h1" (función Water intake), los indicadores "h2" (función Cubed ice) y "h3" (función Crushed ice) se apagan. Al presionar la paleta dispensadora, saldrá agua por el dispensador.
2. Cuando el tiempo de entrada de agua alcance los 150 s, el frigorífico emitirá un pitido y mantendrá el agua hasta que llegue a 180 s, el agua se cortará y la válvula de agua entrará en el tiempo de protección de 200 s, y luego la entrada de agua puede llevarse a cabo de nuevo.
3. Cuando el tiempo acumulado de dispensación de agua alcanza los 5 minutos en un periodo de 10 minutos, la válvula de agua pasa a un periodo de protección de 10 minutos, transcurrido el cual el sistema volverá a dispensar agua.



Función Cubed ice

En cualquier estado (bloqueado o desbloqueado), pulse el botón "H2" (selector de la función Cubed ice); el zumbador suena una vez, el indicador "h2" (función Cubed ice) se ilumina y, a continuación, se activará la función Cubed ice.

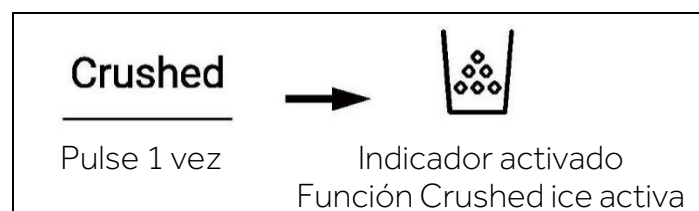


Aviso

1. Cuando el indicador "h2" (función Cubed ice) se ilumina, los indicadores "h1" (función Water intake) y "h3" (función Crushed ice) se apagan. Después de pulsar el microinterruptor del distribuidor, los cubitos de hielo saldrán por el dispensador.
2. Cuando el fabricante de hielo se conecta por primera vez a la red eléctrica, la función Cubed ice se apaga de forma predeterminada.
3. Pulse el microinterruptor del dispensador, la luz del mismo se enciende con la tapa abierta. Entonces, el motor del hielo picado comienza a girar en sentido antihorario para empujar cubitos de hielo. Suelte el microinterruptor del dispensador; el motor del hielo picado se detiene y la tapa del dispensador se cerrará y la luz se apagará al cabo de 5 segundos.
4. Bajo el estado Cubed ice, cuando el tiempo exceda los 50 segundos, habrá un zumbador que comenzará a alertar (golpeando) para avisar a los usuarios que lo apaguen. Cuando el tiempo llega a 1 minuto, se fuerza a detener Cubed ice y es efectivo cuando se vuelve a pulsar el interruptor.
5. Durante la función Cubed ice, si se abre la puerta del frigorífico, el motor que entrega hielo se detendrá, con la tapa del dispensador cerrada, la luz del dispensador apagada y la función Cubed ice se detendrá.
6. Está prohibido fabricar hielo con la puerta del frigorífico abierta.

Función Crushed ice

En cualquier estado (bloqueado o desbloqueado), pulse el botón "H3" (selector de la función Crushed ice); el zumbador suena una vez, se ilumina el indicador "h3" (función Crushed ice) y se activa la función Crushed ice.



Aviso

Cuando el indicador "h3" (función Crushed ice) se ilumina, los indicadores "h1" (función Water intake) y "h2" (función Cubed ice) se apagan. Después de pulsar el microinterruptor del distribuidor, el hielo picado saldrá por el dispensador.

Pulse el microinterruptor del dispensador, la luz del mismo se enciende con la tapa abierta. Entonces, el motor del hielo picado comienza a girar en sentido horario para empujar cubitos de hielo. Suelte el microinterruptor del dispensador; la luz se apaga y el motor del hielo picado se detiene, la tapa del dispensador se cerrará y la luz se apagará al cabo de 5 segundos.

Bajo el estado Crushed ice, cuando el tiempo exceda los 50 segundos, habrá un zumbador que alertará a los usuarios para que lo apaguen. Cuando el tiempo llega a 1 minuto, se fuerza a detener la función Crushed ice y es efectivo cuando se vuelve a pulsar el interruptor.

Durante Crushed ice, si se abre la puerta del frigorífico, el motor que entrega hielo se detendrá, con la tapa del dispensador cerrada, la luz del dispensador apagada y Crushed ice se detendrá.

Está prohibido picar hielo con la puerta del frigorífico abierta.

Alarma de apertura de la puerta

Si la puerta se mantiene abierta demasiado tiempo o la puerta no está bien cerrada, el frigorífico emitirá una alarma acústica a intervalos establecidos para recordarle que debe cerrar la puerta.

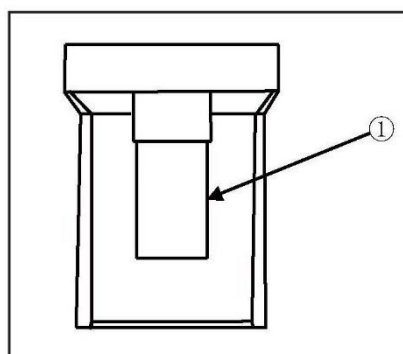
Memoria de apagado

Se recuerda el estado de funcionamiento instantáneo de apagado. Al volver a encenderlo, sigue funcionando de acuerdo con la configuración previa.

Uso del dispensador de agua y hielo

Pulse la tecla de selección del dispensador varias veces hasta que la luz sobre el indicador deseado se ilumine.

Presione la paleta del dispensador (1) con un vaso u otro recipiente para dispensar cubitos de hielo, agua o hielo picado.

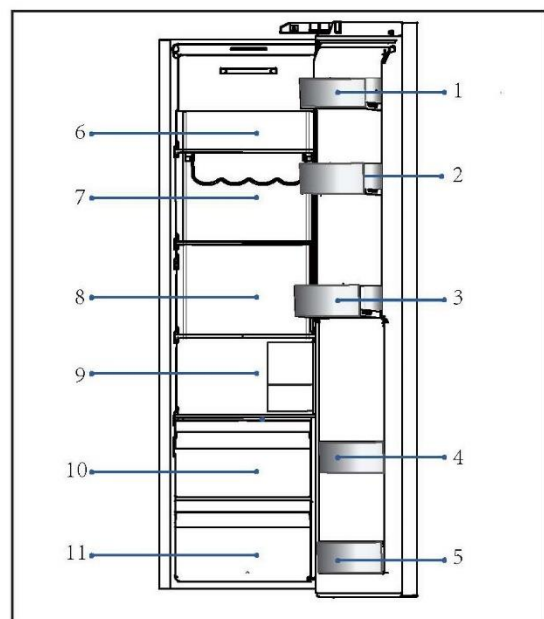


CONSEJOS PARA ALMACENAR ALIMENTOS FRESCOS

Almacenamiento en el compartimento frigorífico

1. Mantenga la temperatura de su frigorífico por debajo de los 5° C.
2. Los alimentos calientes deben haberse enfriado a temperatura ambiente antes de ser almacenados en el electrodoméstico.
3. Los alimentos almacenados en el frigorífico deben lavarse y secarse antes de almacenarse.
4. Los alimentos a almacenar deben estar debidamente sellados para evitar olores o alteraciones del sabor.
5. No almacene cantidades excesivas de comida. Deje espacio entre los alimentos para permitir que el aire frío fluya alrededor de ellos y lograr una refrigeración mejor y más homogénea.
6. Los alimentos consumidos diariamente deben almacenarse en la parte frontal del estante.
7. Deje un espacio entre los alimentos y las paredes interiores para permitir que el aire fluya. Se recomienda especialmente que los alimentos no toquen la pared trasera, ya que podrían congelarse adheridos a ella. Evite el contacto directo de los alimentos (especialmente alimentos aceitosos o ácidos) con el revestimiento interno, ya que el aceite/ácido puede erosionarlo. Limpie los restos de aceite/ácido cuando los encuentre.
8. Descongele los alimentos congelados en el compartimento frigorífico. De esta manera, puede utilizar los alimentos congelados para disminuir la temperatura en el compartimento y ahorrar energía.
9. El proceso de maduración de las frutas y verduras como calabacines, melones, papaya, plátano, piña, etc. se puede acelerar en el frigorífico. Por lo tanto, no es aconsejable conservarlos en el frigorífico. Sin embargo, se puede promover la maduración de algunas frutas durante un cierto período. Las cebollas, el ajo, el jengibre y otras raíces también deben almacenarse a temperatura ambiente.
10. Los malos olores en el interior del frigorífico son un signo de que algo se ha derramado y se requiere limpieza. Vea CUIDADO Y LIMPIEZA.
11. Los diferentes alimentos deben colocarse en diferentes áreas según sus propiedades:

- 1-Mantequilla, quesos, etc.
- 2-Huevos, alimentos enlatados, especias, etc.
- 3/4/5-Bebidas y alimentos embotellados.
- 6-Alimentos encurtidos, alimentos enlatados, etc.
- 7/8-Productos cárnicos, pescado, alimentos crudos
- 9-Latas, productos lácteos, etc.
- 10-Frutas, verduras, lechugas, etc.
- 11-Carne cocinada, salchichas, etc.

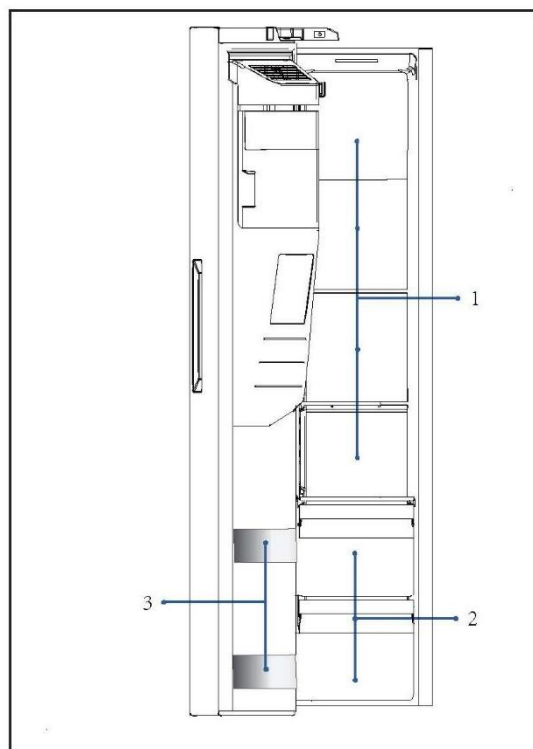


CONSEJOS PARA ALMACENAR ALIMENTOS FRESCOS

Conservación en el compartimento congelador

1. Mantenga la temperatura del congelador a -18°C .
2. 12 horas antes de congelar más alimentos, active la función Super-Freeze (para pequeñas cantidades de alimentos, 4-6 horas son suficientes).
3. Los alimentos calientes deben haberse enfriado a temperatura ambiente antes de ser almacenados en el congelador.
4. Los alimentos cortados en porciones pequeñas se congelarán más rápido y serán más fáciles de descongelar y cocinar. El peso recomendado para cada porción es de menos de 2,5 kg.
5. Es mejor envasar los alimentos antes de introducirlos en el congelador. El exterior del embalaje debe estar seco para evitar que las bolsas se peguen. Los materiales de embalaje deben estar libres de olores y ser herméticos y no tóxicos.
6. Para evitar la expiración de los periodos de conservación, anote la fecha de congelación, el límite de tiempo y el nombre de los alimentos en el envase según los períodos de conservación de los diferentes alimentos.
7. **ADVERTENCIA:** El ácido, la alcalinidad y la sal, etc. podrían erosionar la superficie interna del congelador. No coloque los alimentos que contengan estas sustancias (p.ej.: pescados marinos) directamente sobre la superficie interna. El agua salada en el congelador debe limpiarse inmediatamente.
8. No supere el tiempo de almacenamiento recomendado por los fabricantes. Saque solo la cantidad necesaria de alimentos del congelador.
9. Los diferentes alimentos deben colocarse en diferentes áreas según sus propiedades:

- 1- Artículos menos pesados, como helados, verduras, pan, etc.
- 2- Porciones grandes / pesadas de alimentos, como trozos de carne para asar
- 3- Pizza etc.





NOTA: ALMACENAMIENTO

1. Por favor, mantenga una distancia de más de 10 mm entre el alimento y el sensor para asegurar el efecto de enfriamiento.
2. Por favor, no retire el cajón inferior del aparato durante el funcionamiento para asegurar el efecto de enfriamiento.
3. Los alimentos que incluyan hielo (como helados, etc.) deben guardarse dentro del compartimento del congelador y no en los portabotellas. Los cambios de temperatura a los que están expuestos los portabotellas, provocados por la apertura y cierre de la puerta, pueden descongelar los alimentos.
4. Consuma rápidamente los alimentos descongelados. Los alimentos descongelados no pueden volver a congelarse a no ser que se cocinen previamente, ya que de lo contrario podrían resultar incomedibles.
5. No cargue cantidades excesivas de alimentos frescos en el congelador. Consulte la capacidad de congelación del congelador (Vea los DATOS TÉCNICOS o los datos de la placa).
6. Los alimentos pueden almacenarse en el congelador a una temperatura de al menos -18°C de 2 a 12 meses, dependiendo de sus propiedades (p.ej. carne: 3 a 12 meses, verduras: 6 a 12 meses)
7. Cuando congele alimentos frescos, evite ponerlos en contacto con alimentos ya congelados. ¡Riesgo de descongelación!
8. Descongele los alimentos congelados en el frigorífico. De esta manera, puede utilizar los alimentos congelados para disminuir la temperatura en el compartimento y ahorrar energía.

Cuando guarde alimentos congelados en tienda, siga estas directrices:

1. Siempre siga las directrices de los fabricantes sobre el tiempo que debe almacenar los alimentos. ¡No ignore estas directrices!
2. Trate de que el tiempo que pasa entre la compra y el almacenamiento sea el menor posible para preservar la calidad de los alimentos.
3. Compre alimentos congelados que se hayan conservado a una temperatura de -18°C o menos.
4. Evite comprar alimentos que tengan hielo o escarcha en el envase: esto indica que los productos podrían haber sido parcialmente descongelados y recongelados en algún punto (el aumento de la temperatura afecta a la calidad de los alimentos).



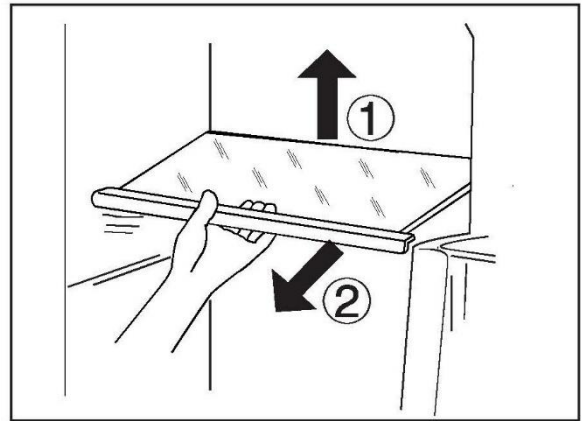
Consejos de ahorro de energía:

- ▶ Asegúrese de que el electrodoméstico esté bien ventilado (vea INSTALACIÓN).
- ▶ No instale el electrodoméstico bajo la luz directa del sol o cerca de fuentes de calor (p. ej.: fogones, estufas...).
- ▶ Evite una temperatura innecesariamente baja en el electrodoméstico. El consumo de energía aumenta la temperatura del electrodoméstico.
- ▶ Las funciones como POWER-FREEZE consumen más energía.
- ▶ Deje enfriar los alimentos calientes antes de introducirlos en el electrodoméstico.
- ▶ Abra la puerta del electrodoméstico lo menos y lo más brevemente posible.
- ▶ No llene en exceso el electrodoméstico para evitar obstruir la circulación de aire.
- ▶ Evite la presencia de aire dentro del embalaje de los alimentos.
- ▶ Mantenga las juntas de la puerta limpias para que la puerta se cierre siempre correctamente.
- ▶ Descongele los alimentos congelados en el compartimento frigorífico.
- ▶ La configuración de más ahorro energético requiere que el electrodoméstico mantenga los cajones, las cajas de alimentos y los estantes. en condiciones de fábrica, y los alimentos deben colocarse lo más lejos posible sin bloquear la salida de aire del conducto.



Estantes ajustables

1. La altura de los estantes se puede ajustar para adaptarse a sus necesidades de almacenamiento.
2. Para reubicar un estante, retírelo primero levantando su borde posterior ① y extráigalo ②.
3. Para volver a instalarlo, colóquelo en los rieles de ambos lados y empuje hasta que la parte trasera del estante se fije dentro de las ranuras laterales.

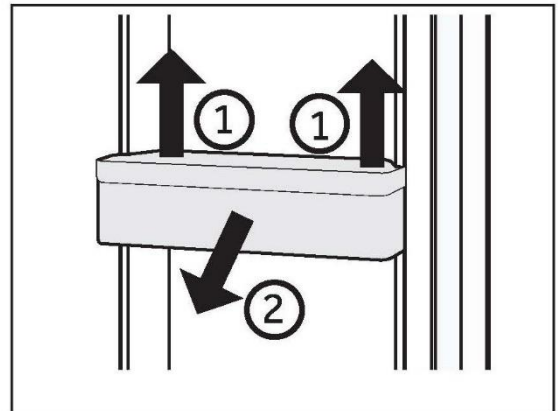


i AVISO

Asegúrese de que todos los extremos del estante estén nivelados.

Estantes de puerta/soportes para botellas desmontables

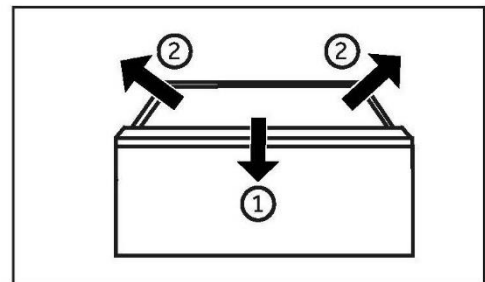
1. Los estantes de la puerta y el portabotellas pueden desmontarse para su limpieza:
2. Coloque las manos a cada lado del estante o el portabotellas, levántelo hacia arriba ① y extráigalo ②.
3. Para insertar los estantes de la puerta o el portabotellas, realice los pasos anteriores en orden inverso.



Cajón extraíble

Para sacar el cajón, tire al máximo ①, levante y retire ②.

Para insertar el cajón, realice los pasos anteriores en orden inverso.



Depósito de hielo

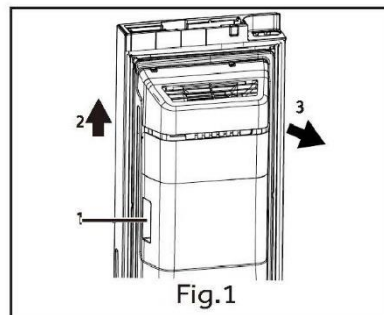
Interrupción de la producción de hielo

Si no se necesita hielo o agua durante un largo periodo de tiempo, se puede cerrar la válvula de suministro de agua al aparato.

El depósito de hielo debe limpiarse, secarse y volver a colocarse en el aparato para evitar la aparición de olores.

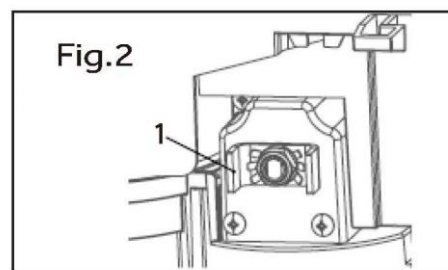
Extracción del depósito de hielo

1. Sujete ambos ganchos laterales.
2. Levante el depósito.
3. Saque el depósito.



Reinstalación del depósito de hielo

Para volver a colocar el depósito de hielo, es preciso alinear el soporte en forma de U situado detrás del depósito de hielo (1 en la Fig.2) con la estructura metálica correspondiente. Siga los pasos de la Fig. 1 en orden inverso.



AVISO

La humedad puede condensarse y congelar la caja de hielo.

**¡ADVERTENCIA!**

Desconecte el electrodoméstico de la fuente de alimentación antes de limpiarlo.

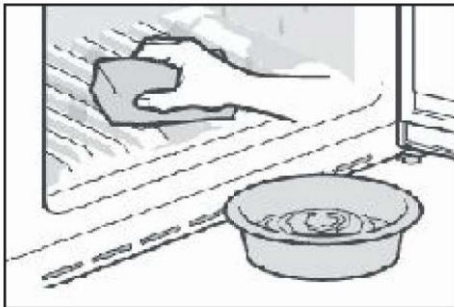
Limpieza

Limpie el electrodoméstico solo cuando haya pocos o ningún alimento guardado.

Este electrodoméstico debe limpiarse cada cuatro semanas para realizar un buen mantenimiento y evitar malos olores.

**¡ADVERTENCIA!**

- ▶ No limpie el electrodoméstico con cepillos duros, cepillos de alambre, detergente en polvo, gasolina, acetato de amilo, acetona y soluciones orgánicas similares, soluciones ácidas o alcalinas. Limpie con un detergente especial para frigoríficos para evitar daños.
- ▶ No rocíe ni enjuague el electrodoméstico durante la limpieza.
- ▶ No use agua pulverizada o vapor para limpiar el electrodoméstico.
- ▶ No limpie los estantes de cristal fríos con agua caliente. Un cambio repentino de temperatura puede causar que el cristal se rompa.
- ▶ No toque la superficie interior del compartimento del electrodoméstico, especialmente con las manos mojadas, ya que las manos pueden congelarse en la superficie.
- ▶ En caso de calentamiento, compruebe el estado de los productos congelados.



- ▶ Mantenga siempre limpia la junta de la puerta.
 - ▶ Limpie el interior y el armazón del electrodoméstico con una esponja humedecida en agua tibia y detergente neutro.
1. Frote el interior y el exterior del frigorífico, incluyendo la junta de la puerta, los estantes de la puerta, los estantes de cristal, los cajones, etc., con una toalla suave o una esponja sumergida en agua caliente (se puede añadir detergente neutro).
 2. Si hay líquido derramado, retire todas las piezas contaminadas, enjuague directamente con agua corriente, seque y coloque las piezas de nuevo en el frigorífico.
 3. Si hay productos cremosos derramados (como nata, helado derretido...), retire todas las piezas contaminadas, póngalas en agua caliente a unos 40 °C durante un rato, enjuague con agua corriente, séquelas y colóquelas de nuevo en el frigorífico.
 4. En caso de que alguna parte o componente pequeño quede atascada dentro del frigorífico (entre las estanterías o los cajones), utilice un cepillo suave pequeño para sacarlo. Si no la alcanza, póngase en contacto con el servicio de Haier.
- ▶ Aclare y seque con un paño suave.
 - ▶ No limpie ninguna de las piezas o partes de este electrodoméstico en un lavavajillas.
 - ▶ Deje pasar al menos 5 minutos antes de reiniciar el electrodoméstico, ya que el arranque frecuente puede dañar el compresor.

Descongelación

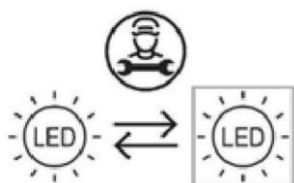
La descongelación de los compartimentos frigorífico y congelador se realiza automáticamente: no se requiere ninguna operación manual.

Sustitución de las lámparas LED

 ¡ADVERTENCIA!

No sustituya usted mismo la lámpara LED, solo debe cambiarla el fabricante o un técnico autorizado.

Las lámparas utilizan LED como fuente de luz, con bajo consumo energético y larga vida útil. Si detecta alguna anomalía, póngase en contacto con el servicio de atención al cliente. Vea ATENCIÓN AL CLIENTE.



Fuente de luz reemplazable (solo LED) por un profesional.

Este producto contiene una fuente luminosa de clase de eficiencia energética G.

Compartimento	Tensión	Clase de eficiencia energética	Modelo
Frigorífico	12 V	G	HSW59F18DIMM
Congelador	12 V	G	HSW79F18DIPT
Retroiluminación	12 V	G	

Limpieza del depósito de hielo

Limpie periódicamente el depósito de hielo con agua tibia, sobre todo si los cubitos envejecen y emiten mal olor. Seque bien el depósito antes de volver a colocarlo en el aparato para evitar que los cubitos de hielo se peguen a las paredes.

Si no se utiliza durante un período más largo

Si el aparato no se utiliza durante un periodo de tiempo prolongado, y no va a utilizar la función Holiday para el frigorífico:

- ▶ Saque la comida.
- ▶ Desenchufe el cable de la toma de corriente.
- ▶ Limpie el electrodoméstico como se ha descrito anteriormente.
- ▶ Mantenga las puertas abiertas para evitar que se generen malos olores en el interior.

 **AVISO**

Apague el electrodoméstico solo si es estrictamente necesario.



Traslado del electrodoméstico

1. Retire toda la comida y desenchufe el electrodoméstico.
2. Fije los estantes y otras partes móviles en el frigorífico y el congelador con cinta adhesiva.
3. No incline el frigorífico más de 45° para evitar dañar el sistema de refrigeración.



¡ADVERTENCIA!

- ▶ No levante el electrodoméstico por las asas.
- ▶ No coloque el electrodoméstico horizontalmente sobre el suelo.

Sustitución del filtro

El filtro de agua debe cambiarse aproximadamente cada 6 meses, cuando se encienda el indicador "c3" (función de restablecimiento del filtro).

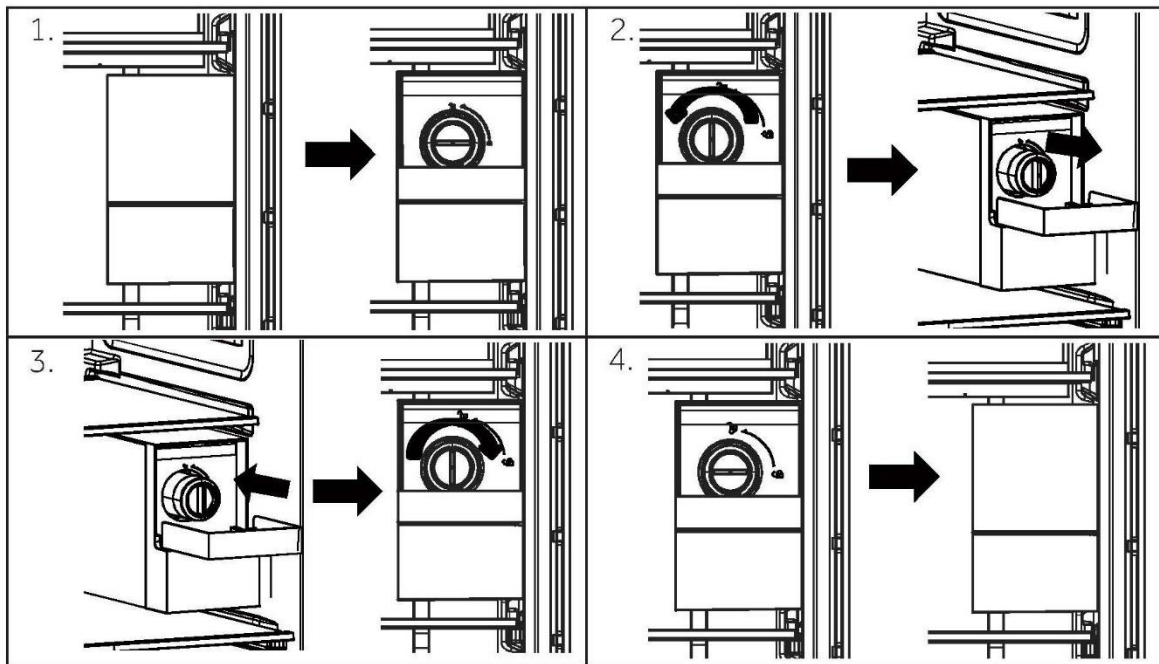
Para adquirir un filtro de agua de recambio:

- Utilice el cartucho de repuesto: HRXWF
- Visite a su distribuidor local. Para obtener más ayuda, visite nuestro sitio web en www.haierpares.eu



Aviso

- ▶ Reemplazar el filtro de agua hace que se drene una pequeña cantidad de agua (alrededor de 1 onza o 25 cc).
 - ▶ Envuelva un paño alrededor del extremo delantero de la tapa del filtro de agua para recoger el agua que se escape. Sujete el filtro de agua en posición vertical, una vez retirado, para evitar que se derrame el agua restante del filtro de agua.
1. Presione el centro de la cubierta superior y gírela hacia abajo.
 2. Retire el filtro de agua desechable.
 3. Reemplace por un nuevo filtro de agua. Inserte el filtro nuevo en el cabezal del filtro y gírelo en el sentido de las agujas del reloj hasta que la flecha del filtro nuevo se alinee con la flecha del cabezal del filtro. Vuelva a girar el filtro en el compartimiento.
 4. Cierre la tapa del filtro de agua.



5. Mantenga pulsado el botón 3Sec. Filter Reset durante 3 segundos.
6. Dispense agua durante aproximadamente 5 minutos para eliminar el aire y los contaminantes atrapados.



¡PRECAUCIÓN!

- ▶ Si no se reemplazan los filtros cuando sea necesario o si se usan filtros de agua no autorizados por Haier, el cartucho del filtro puede tener fugas y provocar daños a la propiedad.

Filtro de agua

Modelo: Haier HRXWF

- ▶ Sistema certificado por IAPMO R&T con respecto a las normas NSF/ANSI 42, 53, 401 y P473 con respecto a la reducción de reclamaciones especificadas en la ficha de datos de rendimiento y en iapmort.org.
- ▶ El rendimiento real puede variar con las condiciones locales del agua.

Directrices de aplicación/Parámetros de abastecimiento de agua

Flujo de servicio: 0,5 gpm (1,89 lpm)

Suministro de agua: Agua potable

Presión del agua: 25-120 psi (172-827 kPa)

Temperatura del agua: 0,6 °C-38 °C

Capacidad: 170 galones (643,5 litros)

Es esencial que los requisitos de instalación, mantenimiento y sustitución de filtros recomendados por el fabricante se lleven a cabo para que el producto funcione como se anuncia. Consulte el manual de instalación para obtener información sobre la garantía.



Aviso

Si bien las pruebas se realizaron bajo condiciones de laboratorio estándar, el rendimiento real puede variar. Cartucho de repuesto: HRXWF Para conocer los costes estimados de las piezas de repuesto, visite nuestro sitio web en www.haierspares.eu.

¡ADVERTENCIA!

- ▶ Para reducir el riesgo asociado a la ingestión de contaminantes:
- ▶ No lo use con agua microbiológicamente insegura o de calidad desconocida sin una desinfección adecuada antes y después del sistema. Los sistemas certificados para la reducción de quistes se pueden usar en agua desinfectada que puede contener quistes filtrables.

Aviso

Para reducir el riesgo de fuga de agua o inundación, y para garantizar un rendimiento óptimo del filtro:

- ▶ Lea y siga las instrucciones de uso antes de la instalación y el uso de este sistema.
- ▶ La instalación y el uso DEBEN cumplir con todos los códigos de fontanería estatales y locales.
- ▶ No instale si la presión del agua supera los 120 psi (827 kPa). Si la presión del agua supera los 80 psi (552 kPa), debe instalar una válvula limitadora de presión. Póngase en contacto con un fontanero profesional si no está seguro de cómo controlar la presión del agua.
- ▶ No instale donde puedan ocurrir condiciones de golpe de ariete. Si existen condiciones de golpe de ariete, debe instalar un protector de golpe de ariete. Póngase en contacto con un fontanero profesional si no está seguro de cómo comprobar estas condiciones.
- ▶ No lo instale en líneas de suministro de agua caliente. La temperatura máxima de funcionamiento del agua de este sistema de filtrado es de 38 °C.
- ▶ Evite que el filtro se congele. Drene el filtro cuando las temperaturas desciendan por debajo de 0,6 °C.
- ▶ Cambie el cartucho de filtro desechable cada seis meses o antes si observa una reducción notable en el caudal de agua.
- ▶ Si no se reemplaza el cartucho de filtro desechable en los intervalos recomendados, se puede reducir el rendimiento del filtro y agrietarse la carcasa, lo que provocaría fugas de agua o inundaciones.
- ▶ Este sistema ha sido probado según la NSF/ANSI 42, 53, 401 y P473 para la reducción de las sustancias enumeradas a continuación. La concentración de las sustancias indicadas en el agua que ingresa al sistema se redujo a una concentración menor o igual al límite permisible para el agua que sale del sistema, como se especifica en NSF/ANSI 42, 53, 401 y P473.



Usted mismo puede resolver muchos de los problemas que puedan presentarse sin tener conocimientos específicos. En caso de que se produzca algún problema, compruebe todas las posibilidades ilustradas y siga las instrucciones pertinentes antes de ponerse en contacto con un servicio posventa. Vea ATENCIÓN AL CLIENTE.



¡ADVERTENCIA!

- ▶ Antes de realizar tareas de mantenimiento, desactive el electrodoméstico y desconecte el enchufe de la toma de corriente.
- ▶ Los equipos eléctricos solo deben ser revisados y manejados por electricistas expertos cualificados, ya que las reparaciones incorrectas pueden causar daños considerables en consecuencia.
- ▶ Si el sistema de alimentación está dañado, debe ser sustituido por el fabricante, por su servicio técnico o por cualquier profesional cualificado similar para evitar riesgos.

Problema	Causa posible	Solución posible
El compresor no funciona.	<ul style="list-style-type: none"> • El enchufe no está conectado a la toma de corriente. • El electrodoméstico está en el ciclo de descongelación 	<ul style="list-style-type: none"> • Conecte el enchufe. • Esto es normal para una descongelación automática
El electrodoméstico funciona con frecuencia o funciona durante un período de tiempo demasiado largo.	<ul style="list-style-type: none"> • La temperatura interior o exterior es demasiado alta. • El electrodoméstico ha estado apagado durante cierto de tiempo. • Una puerta del electrodoméstico no está bien cerrada. • La puerta se ha abierto con demasiada frecuencia o durante mucho tiempo. • El ajuste de temperatura del compartimento congelador es demasiado bajo. • La junta de la puerta está sucia, desgastada, agrietada o desaparejada. • La circulación de aire requerida no está garantizada. 	<ul style="list-style-type: none"> • En este caso, es normal que el electrodoméstico funcione más tiempo. • Normalmente, lleva de 8 a 12 horas que el electrodoméstico se enfríe completamente. • Cierre la puerta/cajón y asegúrese de que el electrodoméstico esté ubicado sobre una superficie plana y que no haya alimentos o recipientes que impidan que la puerta se cierre bien. • No abra la puerta/cajón con demasiada frecuencia. • Ajuste una temperatura más alta hasta obtener una temperatura satisfactoria para el frigorífico. Se necesitan 24 horas para que la temperatura del frigorífico se mantenga estable. • Limpie la junta de la puerta/cajón o pídale al servicio de atención al cliente que la cambie. • Garantice una ventilación adecuada.



Problema	Causa posible	Solución posible
El interior del frigorífico está sucio y/o huele mal.	<ul style="list-style-type: none">• El interior del frigorífico necesita limpieza.• Hay alimentos de olor fuerte guardados en el frigorífico.	<ul style="list-style-type: none">• Limpie el interior del frigorífico.• Envuelva bien los alimentos.
El electrodoméstico hace sonidos anormales.	<ul style="list-style-type: none">• El electrodoméstico no está ubicado sobre una superficie plana.• El electrodoméstico toca algún objeto a su alrededor.	<ul style="list-style-type: none">• Ajuste las patas para nivelar el electrodoméstico.• Retire los objetos que haya alrededor del electrodoméstico.
La temperatura del interior del electrodoméstico no es lo suficientemente fría.	<ul style="list-style-type: none">• La temperatura establecida es demasiado alta. Se han almacenado alimentos demasiado calientes.• Se ha almacenado demasiada comida a la vez.• Los alimentos están demasiado cerca entre sí.• Una puerta/cajón del electrodoméstico no está bien cerrada.• La puerta/cajón se ha abierto con demasiada frecuencia o durante mucho tiempo.	<ul style="list-style-type: none">• Restablezca la temperatura.• Enfríe siempre los alimentos antes de guardarlos.• Guarde siempre pequeñas cantidades de alimentos.• Deje un espacio entre varios alimentos para permitir que el aire fluya.• Cierre la puerta/cajón.• No abra la puerta/cajón con demasiada frecuencia.
La temperatura del interior del electrodoméstico es demasiado fría.	<ul style="list-style-type: none">• La temperatura establecida es demasiado baja. La función Super-Frz/Super-Cool está activada o funciona demasiado tiempo.	<ul style="list-style-type: none">• Restablezca la temperatura.• Apague la función Super-Frz/Super-Cool.
Formación de humedad en el interior del compartimento frigorífico.	<ul style="list-style-type: none">• El clima es demasiado cálido y húmedo.• Una puerta/cajón del electrodoméstico no está bien cerrada.• La puerta/cajón se ha abierto con demasiada frecuencia o durante mucho tiempo.• Hay recipientes de alimentos o líquidos abiertos.	<ul style="list-style-type: none">• Aumente la temperatura.• Cierre la puerta/cajón.• No abra la puerta/cajón con demasiada frecuencia.• Deje que los alimentos calientes se enfríen a temperatura ambiente y cubra los alimentos y líquidos.
Se acumula humedad fuera de la superficie o entre las puertas/puerta y cajón.	<ul style="list-style-type: none">• El ambiente es demasiado cálido y demasiado húmedo.• La puerta no está bien cerrada. Se produce condensación por la presencia de aire frío dentro del electrodoméstico y aire caliente en el exterior.	<ul style="list-style-type: none">• Esto es normal en un ambiente húmedo y cambiará cuando la humedad disminuya.• Asegúrese de que la puerta/cajón está bien cerrada.

Problema	Causa posible	Solución posible
Hay mucho hielo y escarcha en el compartimento congelador.	<ul style="list-style-type: none"> • Los alimentos no están correctamente embalados. • Una puerta/cajón del electrodoméstico no está bien cerrada. • La puerta/cajón se ha abierto con demasiada frecuencia o durante mucho tiempo. • La junta de la puerta/cajón está sucia, desgastada, agrietada o desparejada. • Algo en el interior impide que la puerta o el cajón se cierren correctamente. 	<ul style="list-style-type: none"> • Embale bien los alimentos. • Cierre la puerta/cajón. • No abra la puerta/cajón con demasiada frecuencia. • Limpie la junta de la puerta/cajón o cámbiela por una nueva. • Vuelva a colocar los estantes, estantes de la puerta o contenedores internos para permitir que la puerta/cajón se cierre.
Los lados del frigorífico y la tira de la puerta se calientan.	<ul style="list-style-type: none"> • - 	<ul style="list-style-type: none"> • Esto es normal.
El electrodoméstico hace sonidos anormales.	<ul style="list-style-type: none"> • El electrodoméstico no está ubicado sobre una superficie plana. • El electrodoméstico toca algún objeto a su alrededor. 	<ul style="list-style-type: none"> • Ajuste las patas para nivelar el electrodoméstico. • Retire los objetos que haya alrededor del electrodoméstico.
Se oye un ligero sonido similar al del flujo de agua.	<ul style="list-style-type: none"> • - 	<ul style="list-style-type: none"> • Esto es normal.
Oirá un pitido de alarma.	<ul style="list-style-type: none"> • La puerta del compartimento frigorífico está abierta. 	<ul style="list-style-type: none"> • Cierre la puerta.
Oirá un débil zumbido.	<ul style="list-style-type: none"> • El sistema anticondensación está en marcha 	<ul style="list-style-type: none"> • Esto evita la condensación y es normal
El sistema de iluminación o refrigeración interior no funciona.	<ul style="list-style-type: none"> • El enchufe no está conectado a la toma de corriente. • La fuente de alimentación presenta alguna alteración. • La lámpara LED no funciona. 	<ul style="list-style-type: none"> • Conecte el enchufe. • Compruebe el suministro eléctrico a la habitación. Llame a la compañía eléctrica local. • Llame al servicio técnico para cambiar la lámpara.
Fuga o goteo de agua del surtidor del dispensador de agua.	<ul style="list-style-type: none"> • El depósito de agua no está instalado correctamente • El surtidor del dispensador de agua no está bien atornillado al depósito. • Falta la junta tórica de silicona blanca en el surtidor de agua. 	<ul style="list-style-type: none"> • Vuelva a colocar el depósito de agua en la puerta del frigorífico, asegúrese de que quede completamente introducido en la puerta. • El surtidor de agua está firmemente atornillado al depósito de agua. • Compruebe que el surtidor de agua tenga una junta tórica de silicona blanca en el extremo del depósito antes de colocar el surtidor de agua en el depósito de agua.



Para ponerse en contacto con el servicio de asistencia técnica, visite nuestro sitio web: <https://corporate.haier-europe.com/en/>

En la sección "website", elija la marca de su producto y su país. Se le redirigirá a la página web específica donde podrá encontrar el número de teléfono y el formulario para ponerse en contacto con el servicio de asistencia técnica.

Interrupción del suministro

En caso de un corte de luz, los alimentos deberían permanecer frescos y a salvo durante 5 horas. Siga estos consejos durante una interrupción prolongada del suministro, especialmente en verano:

- ▶ abra la puerta/cajón lo menos posible.
- ▶ No introduzca más alimentos en el electrodoméstico durante un corte de luz.
- ▶ Si se da el aviso previo de un corte de luz y la duración de la interrupción es superior a 5 horas, fabrique algo de hielo y póngalo en un recipiente en la parte superior del compartimento frigorífico.
- ▶ Inmediatamente después de la interrupción, es necesario llevar a cabo una inspección de los alimentos.
- ▶ Como la temperatura del frigorífico subirá durante una interrupción del suministro eléctrico u otro fallo, el período de conservación y la calidad comestible de los alimentos se reducirán. Cualquier alimento que se descongele debe consumirse, o bien cocinarse y volver a congelarse (cuando proceda) rápidamente para evitar riesgos para la salud.



NOTA: Función de memoria durante el corte de luz

En cuanto vuelva la luz, el electrodoméstico restablecerá los ajustes establecidos antes del corte de luz.

Desempaquetado

⚠ ¡ADVERTENCIA!

- ▶ Este es un electrodoméstico pesado. Manipúlelo con la ayuda de otra persona.
- ▶ Mantenga todo el material de embalaje fuera del alcance de los niños y deséchelo de forma respetuosa con el medio ambiente.
- ▶ Saque el electrodoméstico de su embalaje.
- ▶ Retire todos los materiales de embalaje.

Condiciones ambientales

La temperatura ambiente debería encontrarse siempre entre 10 °C y 43 °C, ya que puede influir en la temperatura del interior del electrodoméstico y en su consumo energético. No instale el electrodoméstico cerca de otros electrodomésticos emisores de calor (hornos, neveras) sin aislamiento.

- Templada extendida (SN): este electrodoméstico de refrigeración está diseñado para su uso a una temperatura ambiente comprendida entre 10 °C y 32 °C.
- Templada (N): este electrodoméstico de refrigeración está diseñado para su uso a una temperatura ambiente comprendida entre 16 °C y 32 °C.
- Subtropical (ST): este electrodoméstico de refrigeración está diseñado para su uso a una temperatura ambiente comprendida entre 16 °C y 38 °C.

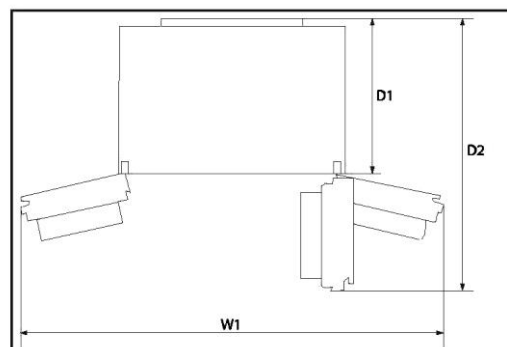
Requisitos de espacio

Espacio requerido con la puerta abierta:

W1 = 157,8 cm

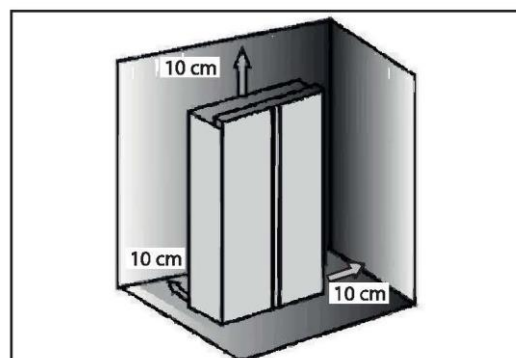
D1 = 62,9 cm

D2 = 117,3 cm



Sección cruzada de ventilación

Para lograr una ventilación suficiente del electrodoméstico por razones de seguridad, debe observarse la información de las secciones cruzadas de ventilación requeridas.

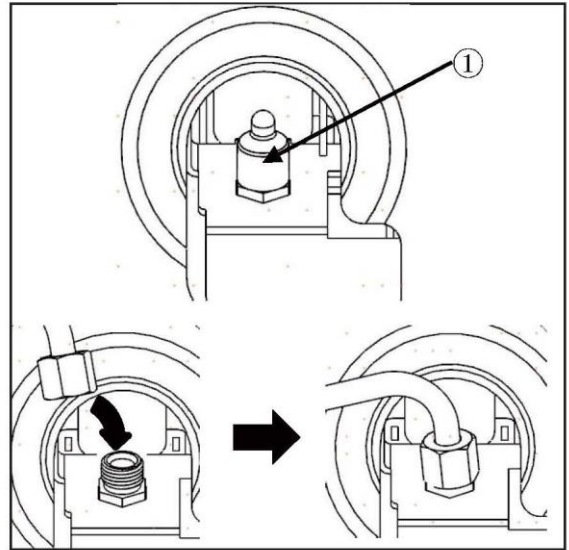


i AVISO

Para un electrodoméstico independiente: este electrodoméstico de refrigeración no está diseñado para ser utilizado como un electrodoméstico empotrado.

Conexión del agua al electrodoméstico

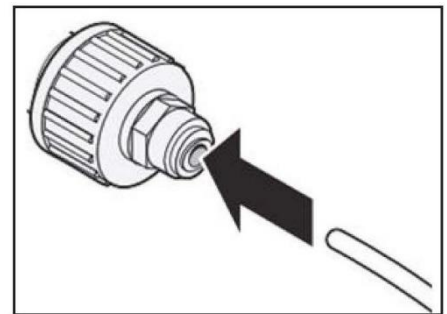
1. Retire el tapón de goma (1) de la válvula de entrada de agua.
2. Empuje firmemente el tubo de agua en la válvula de entrada de agua y apriete la tuerca de la abrazadera. Esta tubería de agua debe cortarse por la mitad antes de usar una de sus secciones; la otra sección se usa como repuesto.



Conexión al grifo de agua

Esta función solo está disponible en algunos modelos.

1. Introduzca el tubo de agua en el orificio del conector del grifo suministrado en los accesorios. La tubería debe sujetarse firmemente mientras se empuja el conector en la tubería.
 2. Asegúrese de que la arandela de goma esté colocada en el interior del conector del grifo antes de enroscarla en el grifo.
- ▶ Es posible que tenga que comprar un conector o un adaptador separados si su accesorio de grifo no coincide con el tamaño de rosca del conector proporcionado.



Comprobación de la conexión de agua

Esta función solo está disponible en algunos modelos.

- ▶ Encienda el suministro de agua y encienda el electrodoméstico. Compruebe cuidadosamente todos los accesorios para ver si hay posibles fugas debido a mangueras mal instaladas.
- ▶ Mantenga pulsado el botón 3Sec. Filter Reset durante tres segundos. El nuevo filtro de agua ha sido activado.
- ▶ Coloque una taza bajo el dispensador de agua para verificar que el agua fluye a través del aparato.
- ▶ Compruebe de nuevo el tubo de conexión y las juntas para fugas.

¡ADVERTENCIA!

- ▶ Asegúrese de que las conexiones estén siempre firmes, secas y sin fugas.
- ▶ Asegúrese de que la manguera nunca esté aplastada, doblada o retorcida.

Nivelación del electrodoméstico

Este electrodoméstico debe colocarse sobre una superficie plana y sólida.

1. Incline el electrodoméstico ligeramente hacia atrás (Fig. 7).
2. Ajuste las patas al nivel deseado. Asegúrese de que la distancia a la pared en los lados de las bisagras sea de al menos 10 cm.
3. Puede comprobarse la estabilidad golpeando alternativamente las diagonales. El ligero bamboleo debe ser el mismo en ambas direcciones. De lo contrario, el marco puede deformarse y resultar en fugas en las juntas de la puerta. Una ligerísima inclinación hacia atrás facilita el cierre de las puertas.

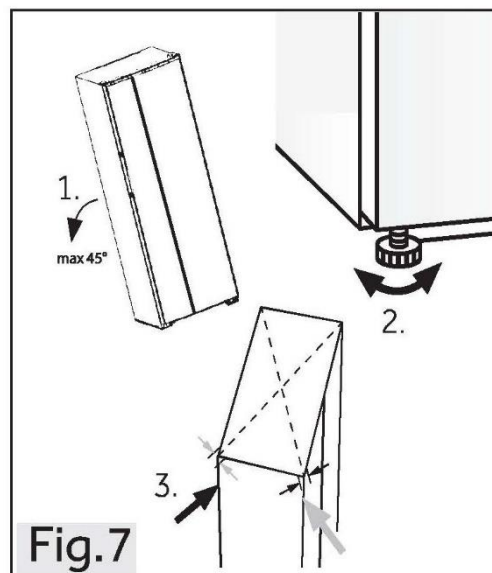


Fig.7

Ajuste de las puertas

Si después de nivelar las puertas con las patas las puertas siguen sin estar a un mismo nivel, este desajuste puede solucionarse girando con una llave el eje de elevación de la bisagra situado en la esquina inferior derecha de la puerta frigorífica (Fig. 8).

Gire el eje de elevación con la llave en el sentido de las agujas del reloj para bajar la altura de la puerta (Fig. 9).

Gire el eje de elevación con la llave en el sentido contrario a las agujas del reloj hasta la altura de la puerta izquierda (Fig. 10).

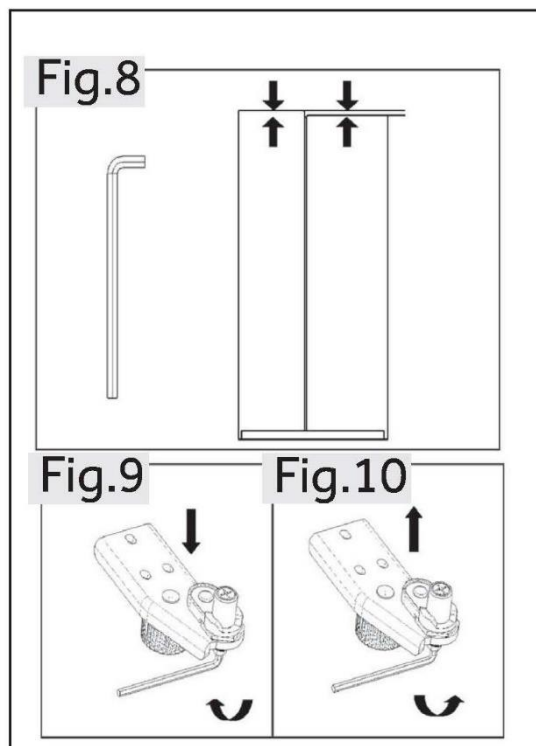


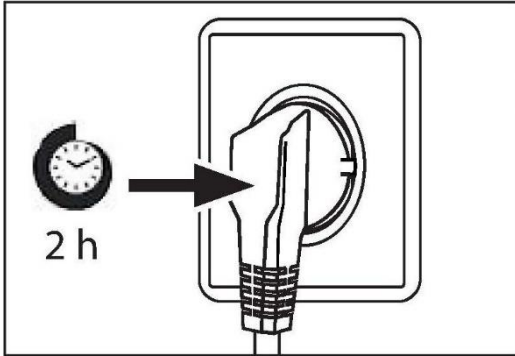
Fig.8

Fig.9

Fig.10

 ¡ADVERTENCIA!

No ajuste excesivamente el eje de elevación de la bisagra a una altura que pueda hacer que el eje salga de su posición de bloqueo original (rango de altura ajustable: 3 mm).

**Tiempo de espera**

El aceite de lubricación sin mantenimiento se encuentra en la cápsula del compresor. Este aceite puede pasar por el sistema de tuberías cerradas durante el transporte si el electrodoméstico está inclinado. Antes de conectar el electrodoméstico a la fuente de alimentación, espere al menos 2 horas para que el aceite vuelva a entrar en la cápsula.

Conexión eléctrica**Antes de cada conexión, compruebe si:**

- ▶ La fuente de alimentación, la toma de corriente y el fusible son adecuados para la placa de clasificación.
- ▶ La toma de corriente tiene conexión a tierra y no tiene múltiples contactos ni extensiones.
- ▶ El enchufe y la toma de corriente encajan perfectamente.

Conecte el enchufe a una toma de corriente doméstica correctamente instalada.

 ¡ADVERTENCIA!

Para evitar riesgos, solo el servicio de atención al cliente debe reemplazar un cable de alimentación dañado (ver tarjeta de garantía).

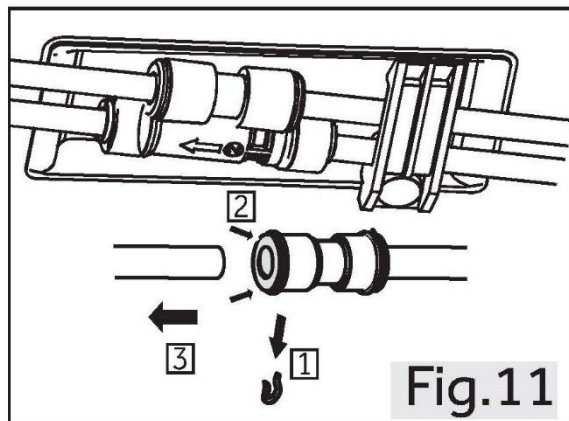
Desmontaje e instalación de las puertas

En caso de que necesite retirar las puertas del electrodoméstico, siga las instrucciones de retirada e instalación de las puertas que se indican a continuación.

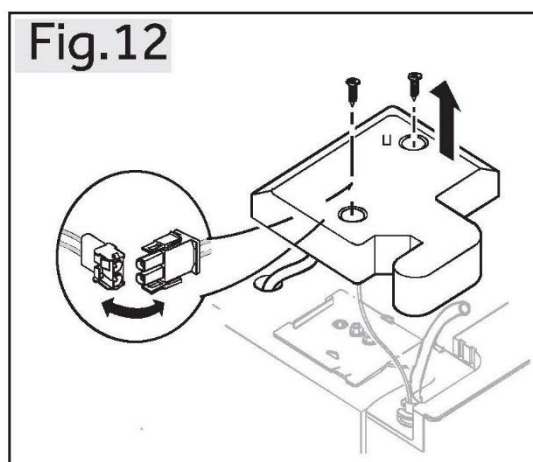
 ¡ADVERTENCIA!

- ▶ Antes de realizar cualquier operación, desactive el electrodoméstico y desconecte el enchufe de la toma de corriente.
- ▶ Bloquee el suministro de agua.
- ▶ El aparato es pesado. Manipúlelo con la ayuda de otra persona.
- ▶ No incline el aparato más de 45° ni lo coloque horizontalmente en el suelo.
- ▶ La puerta puede caerse y herir a las personas, o dañarse durante estos pasos, por favor preste más atención al retirar e instalar las puertas.

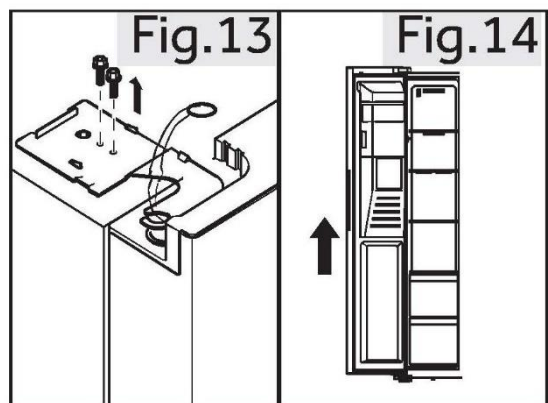
1. Suelte el lado izquierdo de los dos acopladores de agua situados en la esquina delantera izquierda de la parte inferior del aparato: mantenga presionado el collarín como se muestra y retire el tubo de agua. (Fig.11).



2. Afloje el tornillo de la tapa de la bisagra y retire la tapa (Fig.12). Al retirar la puerta del congelador, desconecte todos los cables excepto el cable de conexión a tierra.



3. Afloje los tornillos que sujetan la bisagra superior en su posición y, a continuación, retire la bisagra (Fig. 13).



4. Levante la puerta para extraerla (Fig.14). Al retirar la puerta del congelador, levántela lo suficiente para extraer la conexión de agua de la parte inferior del aparato.

5. Vuelva a montar la puerta invirtiendo los pasos de desmontaje. Asegúrese de que el cable de toma de tierra quede fijado por el tornillo.


6. Vuelva a colocar la conexión de agua.

i NOTA: Puerta del frigorífico

Las imágenes muestran la retirada de la puerta del compartimento congelador. Para la puerta del frigorífico, utilice las piezas correspondientes en el otro lado.



Ficha del producto conforme al Reglamento UE n.º 2019/2016

Marca	Haier
Nombre del modelo / identificador	HSW59F18DIMM HSW79F18DIPT
Categoría del modelo	Frigorífico-congelador
Clase de eficiencia energética	D
Consumo anual de energía (kWh/año) ⁽¹⁾	267
Volumen total (L)	601
Volumen del frigorífico (L)	391
Volumen congelador(L)	210
Estrellas	
Temperatura de otros compartimentos > 14 °C	No aplicable
Sistema Frost-free	Sí
Capacidad de congelación (kg/24 h)	10
Clasificación climática ⁽²⁾	SN-N-ST
Clase de emisión de ruido y emisiones de ruido acústico en el aire (db (A) re 1pW)	C(36)
Tiempo de aumento de la temperatura (h)	5
Capacidad de fabricación de hielo	0,8 kg / 24 h
Tipo de electrodoméstico	Independiente



Explicaciones:

- Sí

- (1) Basado en los resultados de la prueba de conformidad normativa durante 24 horas. El consumo real depende del uso y de la ubicación del electrodoméstico.
- (2) Calificación climática SN: Este electrodoméstico está diseñado para ser utilizado a una temperatura ambiente comprendida entre + 10 °C y +32 °C
 Calificación climática N: Este electrodoméstico está diseñado para ser utilizado a una temperatura ambiente comprendida entre + 16 °C y +32 °C
 Calificación climática ST: Este electrodoméstico está diseñado para ser utilizado a una temperatura ambiente comprendida entre +16 °C y +38 °C

Datos técnicos adicionales

Voltaje / Frecuencia	220-240V~/50Hz
Corriente de entrada (A)	1,8
Potencia de entrada de descongelación (W)	220
Fusible principal (A)	15
Refrigerante	R600a
Tamaño (Al/An/Pr en mm)	1775/905/726



Recomendamos nuestro Servicio de atención al cliente Haier y el uso de repuestos originales. Si tiene algún problema con su electrodoméstico, compruebe primero la sección SOLUCIÓN DE PROBLEMAS.

Si no encuentra una solución allí, póngase en contacto con

- ▶ su distribuidor local o
- ▶ nuestro Centro europeo de atención al cliente (ver números de teléfono listados abajo) o
- ▶ el área de servicio y asistencia en www.haier.com, donde puede activar la
- ▶ solicitud de servicio y encontrar las Preguntas frecuentes.

Para ponerse en contacto con nuestro Servicio, asegúrese de tener los siguientes datos disponibles.

Puede encontrar la información en la placa de datos.

Modelo _____

N.º de serie _____

Compruebe también la tarjeta de garantía suministrada con el producto en caso de garantía.

Centro europeo de atención al cliente		
País*	Número de teléfono	Costes
Haier Italy (IT)	199 100912	
Haier Spain (ES)	902 509 123	
Haier Germany (DE)	0180539 39 99	<ul style="list-style-type: none">• 14 ct/min teléfono fijo• máx. 42 ct/min móvil
Haier Austria (AT)	0820 001 205	<ul style="list-style-type: none">• 14,53 ct/min teléfono fijo• máx. 20 ct/min el resto
Haier United Kingdom (UK)	0333 003 8122	
Haier France (FR)	0980 406 409	



Atención al cliente

* Para otros países, consulte www.haier.com

Haier Europe Trading S.r.l

Sucursal Reino Unido

Westgate House, Westgate, Ealing

Londres, W5 1YY

*Duración de la garantía del electrodoméstico de refrigeración:

La garantía mínima es de: 2 años para los países de la UE, 3 años para Turquía, 1 año para el Reino Unido, 1 año para Rusia, 3 años para Suecia, 2 años para Serbia, 5 años para Noruega, 1 año para Marruecos, 6 meses para Argelia, Túnez sin garantía legal, al no requerirse.

*El período de piezas de repuesto para la reparación del aparato:

Los termostatos, los sensores de temperatura, las placas de circuito impresas y las fuentes de luz están disponibles durante un período mínimo de 7 años después de la comercialización de la última unidad del modelo.

Las asas, bisagras, bandejas y cestas lo están durante un período mínimo de 7 años, y las juntas durante un período mínimo de 10 años después de la comercialización de la última unidad del modelo.

*Para más información sobre el producto, consulte <https://eprel.ec.europa.eu> o escanee el código QR en la etiqueta energética suministrada con el electrodoméstico.



Sommaire

Informations sur la sécurité	138
Utilisation prévue	143
Description du produit	144
Panneau de commande	145
Utilisation	146
Matériel	159
Entretien et nettoyage	161
Dépannage	166
Installation	170
Données techniques	175
Service clientèle	177



Merci

Merci d'avoir acheté un produit Haier.

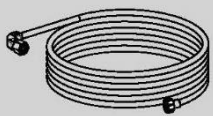
Veuillez lire attentivement ces instructions avant d'utiliser cet appareil. Les instructions contiennent des informations importantes qui vous aideront à tirer le meilleur parti de l'appareil et à assurer l'installation, l'utilisation et l'entretien sûrs et appropriés de celui-ci.

Conservez ce manuel dans un endroit facilement accessible afin que vous puissiez toujours vous y référer pour une utilisation sûre et appropriée de l'appareil.

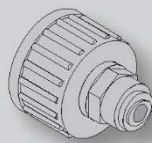
Si vous vendez l'appareil, si vous le donnez ou si vous le laissez lorsque vous déménagez, assurez-vous que vous transmettez également ce manuel pour que le nouveau propriétaire puisse se familiariser avec l'appareil et les consignes de sécurité.

Accessoires

Vérifiez les accessoires et la littérature conformément à cette liste :



*Tuyau d'eau



*Connecteur d'eau



Étiquette
énergétique



Carte de garantie



Guide rapide



AVERTISSEMENT : informations importantes sur la sécurité



REMARQUE : informations générales et conseils



Informations environnementales

Mise au rebut



Contribuez à protéger l'environnement et la santé humaine. Jetez l'emballage dans les bacs correspondants pour le recycler. Participez au recyclage des déchets d'appareils électriques et électroniques. Ne jetez pas les appareils marqués de ce symbole avec les déchets ménagers. Ramenez le produit à votre déchetterie locale ou contactez votre bureau municipal.



AVERTISSEMENT !

Risque de blessure ou de suffocation !

Les frigorigènes et les gaz doivent être éliminés par un professionnel. Assurez-vous que le tube du circuit réfrigérant n'est pas endommagé avant d'être correctement éliminé. Débranchez l'appareil du secteur. Coupez le câble d'alimentation et jetez-le. Retirez les clayettes et les tiroirs ainsi que le verrou et les joints de la porte, afin d'éviter que les enfants et les animaux domestiques ne se retrouvent enfermés dans l'appareil.



Avant d'allumer l'appareil pour la première fois, lisez les conseils de sécurité suivants :



AVERTISSEMENT !

Avant la première utilisation

- ▶ Assurez-vous qu'il n'a pas été endommagé pendant le transport.
- ▶ Retirez tous les emballages et gardez-les hors de portée des enfants.
- ▶ Attendez au moins deux heures avant d'installer l'appareil afin de vous assurer que le circuit réfrigérant fonctionne parfaitement.
- ▶ Manipulez toujours l'appareil avec au moins deux personnes parce qu'il est lourd.

Installation

- ▶ L'appareil doit être placé dans un endroit bien ventilé. Garantissez un espace d'au moins 10 cm au-dessus et autour de l'appareil.
- ▶ Ne placez jamais l'appareil dans un endroit humide ou un endroit où il pourrait être éclaboussé d'eau. Nettoyez et séchez les éclaboussures d'eau et les taches avec un chiffon doux et propre.
- ▶ N'installez pas l'appareil en plein soleil ou à proximité de sources de chaleur (par ex. cuisinières, chauffages).
- ▶ Installez et mettez à niveau l'appareil dans une zone adaptée à sa taille et à son utilisation.
- ▶ Maintenez les ouvertures de ventilation situées dans l'appareil ou dans la structure encastrée libres de toute obstruction.
- ▶ Assurez-vous que les informations électriques figurant sur la plaque signalétique sont conformes à l'alimentation électrique. Si ce n'est pas le cas, contactez un électricien.
- ▶ L'appareil est alimenté par une alimentation de 220-240 VCA/50 Hz. Les variations anormales de tension peuvent provoquer l'arrêt de l'appareil ou endommager le régulateur de température ou le compresseur, ou il peut y avoir un bruit anormal lors du fonctionnement. Dans ce cas, un régulateur automatique doit être monté.
- ▶ N'utilisez pas d'adaptateurs multiprises ni de rallonges.
- ▶ Ne placez pas de systèmes multiprises portatifs ou d'alimentations portatives à l'arrière de l'appareil.
- ▶ Assurez-vous que le câble d'alimentation n'est pas coincé par le réfrigérateur. Ne marchez pas sur le câble d'alimentation.



AVERTISSEMENT !

- ▶ Utilisez une prise de terre séparée pour l'alimentation électrique qui soit facile d'accès. L'appareil doit être mis à la terre.

Uniquement pour le Royaume-Uni : Le câble d'alimentation de l'appareil est équipé d'une fiche 3 pôles (de mise à la terre) qui s'adapte à une prise standard 3 pôles (de mise à la terre). Ne coupez jamais ou ne démontez jamais la troisième broche (mise à la terre). Une fois l'appareil installé, la fiche doit être accessible.

- ▶ N'endommagez pas le circuit réfrigérant.

Utilisation quotidienne

- ▶ Cet appareil peut être utilisé par des enfants à partir de 8 ans et par des personnes ayant des capacités physiques, sensorielles ou mentales réduites ou un manque d'expérience et de connaissances, s'ils sont sous surveillance ou si on leur a appris à utiliser l'appareil en toute sécurité et s'ils comprennent les risques courus.
- ▶ Les enfants âgés de 3 à 8 ans sont autorisés à remplir et vider les appareils de réfrigération, mais ne sont pas autorisés à les nettoyer ni à les installer.
- ▶ Gardez les enfants âgés de moins de 3 ans à l'écart de l'appareil à moins qu'ils ne soient constamment surveillés.
- ▶ Les enfants ne doivent pas jouer avec l'appareil.
- ▶ Si du gaz réfrigérant ou tout autre gaz inflammable fuit à proximité de l'appareil, fermez la vanne du gaz qui fuit, ouvrez les portes et les fenêtres et ne débranchez pas le câble d'alimentation du réfrigérateur ou de tout autre appareil.
- ▶ Notez que l'appareil est conçu pour fonctionner dans une plage de température ambiante spécifique comprise entre 10 °C et 38 °C. L'appareil peut ne pas fonctionner correctement s'il est laissé pendant une longue période à une température inférieure ou supérieure à la plage indiquée.
- ▶ Ne placez pas d'objets instables (objets lourds, récipients remplis d'eau) sur le dessus du réfrigérateur, pour éviter les blessures corporelles causées par une chute ou une électrocution causée par le contact avec de l'eau.
- ▶ Ne tirez pas sur les balconnets. La porte peut être tirée en biais, le porte-bouteilles peut être retiré ou l'appareil risque de basculer.
- ▶ Ouvrez et fermez les portes uniquement avec les poignées. L'écart entre les portes et entre les portes et le compartiment est très étroit. Ne mettez pas vos mains dans ces zones pour éviter de vous pincer les doigts. Ouvrez ou fermez les portes du réfrigérateur uniquement lorsqu'il n'y a pas d'enfants dans le rayon de mouvement de la porte.



AVERTISSEMENT !

- ▶ Ne conservez pas et n'utilisez pas de matières corrosives, explosives ou inflammables dans l'appareil ou à proximité.
- ▶ Ne conservez pas de médicaments, de bactéries ou d'agents chimiques dans l'appareil. Cet appareil est un appareil électroménager. Il n'est pas recommandé pour stocker des produits qui nécessitent des températures strictes.
- ▶ Ne conservez jamais des liquides dans des bouteilles ou des canettes (en dehors des spiritueux avec un degré d'alcool très élevé), en particulier les boissons gazeuses, dans le congélateur car ceux-ci pourraient exploser durant la congélation.
- ▶ Vérifiez l'état des aliments si l'intérieur du congélateur s'est réchauffé.
- ▶ Ne réglez pas une température inutilement basse dans le compartiment du réfrigérateur. Des températures inférieures peuvent se produire à des réglages élevés. Attention : les bouteilles peuvent éclater
- ▶ Ne touchez pas les produits surgelés avec les mains mouillées (portez des gants). Ne mangez surtout pas les sucettes glacées juste après les avoir sorties du compartiment congélateur. Vous risquez de vous blesser ou de vous brûler à cause du froid. Premiers secours : mettez immédiatement sous l'eau froide. Ne retirez pas !
- ▶ Ne touchez pas la surface intérieure du compartiment congélateur lorsqu'il est en fonctionnement, en particulier avec les mains mouillées, car vos mains peuvent geler sur la surface.
- ▶ Débranchez l'appareil en cas de coupure de courant ou avant de le nettoyer. Attendez au moins 7 minutes avant de redémarrer l'appareil, car des démarrages trop fréquents risqueraient d'endommager le compresseur.
- ▶ N'utilisez pas des appareils électriques à l'intérieur des compartiments de conservation des aliments de l'appareil, sauf s'ils correspondent aux modèles recommandés par le fabricant. Entretien/nettoyage
- ▶ Veillez à superviser les enfants s'ils effectuent le nettoyage et l'entretien.
- ▶ Débranchez l'appareil du secteur avant d'effectuer tout entretien courant. Attendez au moins 5 minutes avant de redémarrer l'appareil, car des démarrages trop fréquents risqueraient d'endommager le compresseur.



AVERTISSEMENT !

- ▶ Tenez la fiche, pas le câble, lorsque vous débranchez l'appareil.
- ▶ Ne nettoyez pas l'appareil à l'aide de brosses dures, de brosses métalliques, de détergents en poudre, d'essence, d'acétate d'amyle, d'acétone et de solutions organiques similaires, d'acides ou de solutions alcalines. Nettoyez-le avec un détergent spécial pour réfrigérateur afin d'éviter de l'endommager.
- ▶ Ne raclez pas le givre et la glace avec des objets tranchants. N'utilisez pas de pulvérisateurs ni de réchauffeurs électriques comme des nettoyeurs à vapeur, des sèche-cheveux ou d'autres sources de chaleur pour éviter d'endommager les pièces en plastique.
- ▶ N'utilisez pas de dispositifs mécaniques ou d'autres moyens pour accélérer le processus de dégivrage, hormis ceux recommandés par le fabricant.
- ▶ Si le cordon d'alimentation est endommagé, faites-le remplacer par le fabricant, le service clientèle ou un électricien qualifié pour éviter tout risque d'accident.
- ▶ N'essayez pas de réparer, de démonter ou de modifier l'appareil vous-même. Pour toute réparation, veuillez contacter notre service clientèle.
- ▶ Éliminez la poussière à l'arrière de l'appareil au moins une fois par an pour éviter tout risque d'incendie, ainsi que l'augmentation de la consommation d'énergie.
- ▶ Ne pulvérisez pas et ne rincez pas l'appareil pendant le nettoyage.
- ▶ N'utilisez pas de jet d'eau ou de vapeur pour nettoyer l'appareil.
- ▶ Ne nettoyez pas les clayettes froides en verre à l'eau chaude. Un changement soudain de température peut casser le verre.

Informations sur les gaz réfrigérants



AVERTISSEMENT !

L'appareil contient de l'ISOBUTANE, un réfrigérant inflammable (R600a). Assurez-vous que le circuit du réfrigérant n'est pas endommagé pendant le transport ou l'installation. Les fuites de frigorigène peuvent provoquer des blessures oculaires ou s'enflammer. Si un dommage s'est produit, gardez les sources de feu ouvert à l'écart, aérez complètement la pièce, ne branchez pas ou ne débranchez pas les cordons d'alimentation de l'appareil ou de tout autre appareil. Informez le service clientèle. En cas de contact du réfrigérant avec les yeux, rincez-les immédiatement à l'eau courante et appelez immédiatement un oculiste.



Utilisation prévue

Cet appareil est destiné à réfrigérer et à congeler les aliments. Il a été conçu exclusivement pour une utilisation dans les habitations et des applications similaires telles que les espaces de cuisine dans les magasins, bureaux et autres environnements de travail ; les habitations rurales et par les clients dans les hôtels, motels et autres environnements de type résidentiel, ainsi que dans les chambres d'hôtes ou B&B et activités de restauration. Il n'est pas destiné à un usage commercial ou industriel.

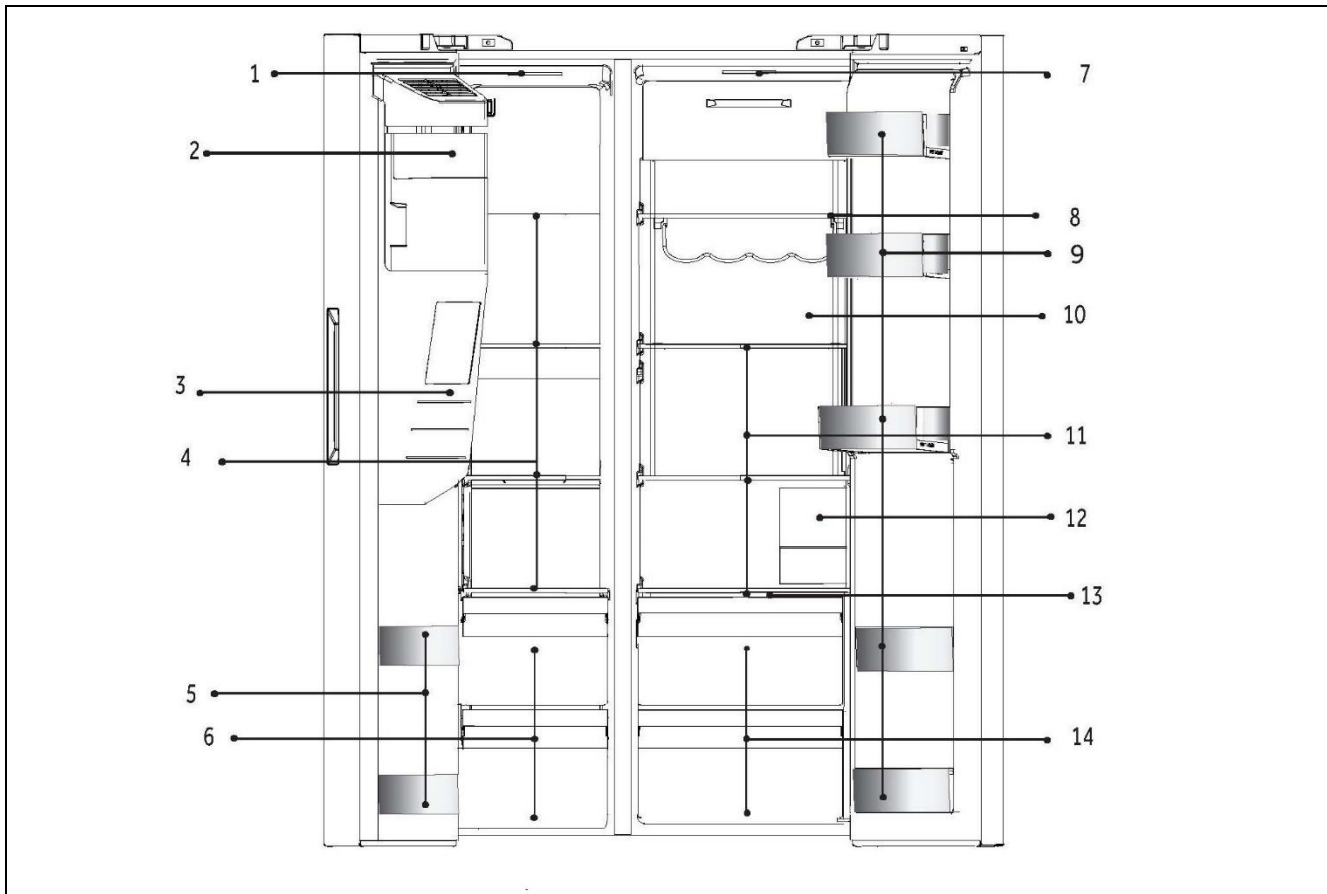
Les changements ou modifications apportés à l'appareil ne sont pas autorisés. Une utilisation non prévue peut entraîner des risques et la perte de garantie.

Normes et directives et

Ce produit satisfait aux exigences de toutes les directives CE applicables avec les normes harmonisées correspondantes et les normes du Royaume-Uni, qui prévoient le marquage CE et UK.

i Remarque

En raison des changements techniques et de différents modèles, certaines des illustrations de ce manuel peuvent différer de votre modèle.



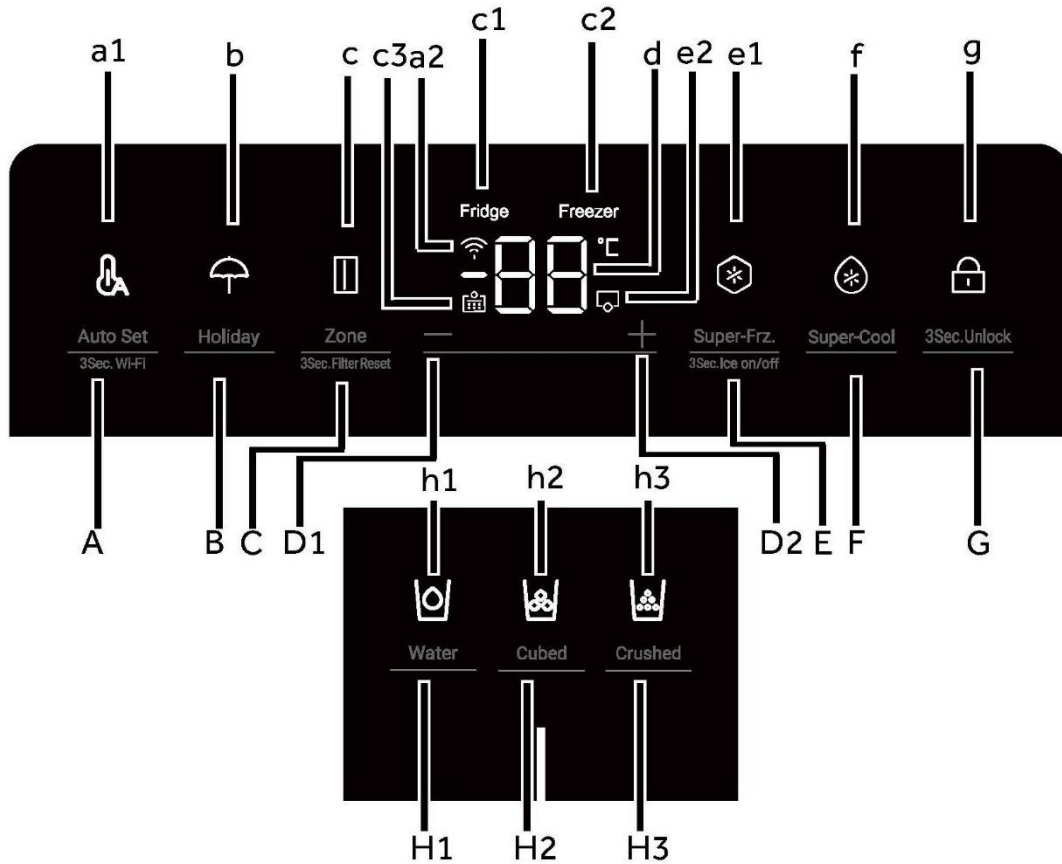
A : Compartiment congélateur

- 1 Lampe de plafond
- 2 Machine à glaçons avec bac à glaçons
- 3 Distributeur d'eau et de glaçons
- 4 Clayettes en verre
- 5 Porte-bouteille
- 6 Tiroirs

B : Compartiment réfrigérateur

- 7 Lampe de plafond
- 8 Porte-vin
- 9 Porte-bouteille
- 10 Lampe arrière (HSW79F18DIPT)
- 11 Clayettes en verre
- 12 Filtre à eau
- 13 Couvercle de zone humide
- 14 Tiroirs

Panneau de commande



Touches :

A Fonction Auto Set /3Sec.Wi-Fi

B Fonction Holiday

C Sélection de la zone/3Sec.Filter Reset

D1 Touche de réglage de la température « - »

D2 Touche de réglage de la température « + »

E Fonction Super-Freeze/3Sec.Ice on/off

F Fonction Super-Cool

G Sélecteur de verrouillage du panneau

H1 Sélecteur de fonction d'admission d'eau

H2 Sélecteur de fonction Cubed ice

H3 Sélecteur de fonction Crushed ice

Indicateurs :

a1 Mode Auto Set

a2 Fonction Wi-Fi

b Mode Holiday

c Indicateur de zone

c1 Indicateur du réfrigérateur

c2 Indicateur du congélateur

c3 Fonction de réinitialisation du filtre

d Affichage de la température

e1 Mode Super-Freeze

e2 Mode Machine à glaçons

f Mode Super-Cool

g Verrouillage du panneau

h1 Fonction d'admission d'eau

h2 Fonction Cubed ice

h3 Fonction Crushed ice

Avant la première utilisation

- ▶ Retirez tous les emballages, gardez-les hors de la portée des enfants, puis jetez-les d'une manière respectueuse de l'environnement.
- ▶ Nettoyez l'intérieur et l'extérieur de l'appareil avec de l'eau et un détergent doux avant d'y mettre des aliments.
- ▶ Une fois l'appareil à plat et nettoyé, attendez au moins 2 à 5 heures avant de le brancher à l'alimentation électrique. Voir la section INSTALLATION.
- ▶ Pré-réfrigérez les compartiments à des réglages élevés avant de les remplir d'aliments. La fonction Power-Freeze permet de refroidir rapidement les compartiments.
- ▶ La température du réfrigérateur et celle du congélateur sont réglées automatiquement sur 5 °C et -18 °C respectivement. Ce sont les paramètres recommandés. Si vous le souhaitez, vous pouvez modifier ces températures manuellement. Voir RÉGLAGE DE LA TEMPÉRATURE.

Touches tactiles

Les touches du panneau de commande sont des touches tactiles qui réagissent dès que le doigt les touche légèrement.

Allumer/éteindre l'appareil

L'appareil fonctionne dès qu'il est branché sur l'alimentation électrique.

Les températures affichées indiquent les températures de réglage dans le compartiment.

Le verrouillage du panneau est peut-être actif.



Remarque

Lorsque l'appareil est allumé après avoir été débranché de l'alimentation secteur, il peut falloir jusqu'à 12 heures pour que les températures correctes soient atteintes.

Videz l'appareil avant de l'éteindre. Pour éteindre l'appareil, tirez le cordon d'alimentation pour le sortir de la prise d'alimentation.

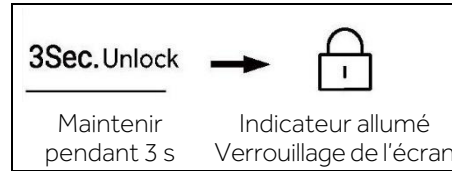


REMARQUE

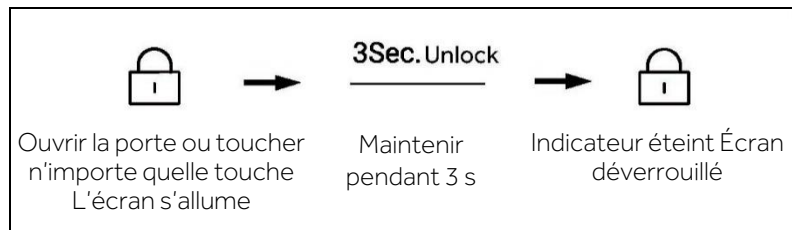
Lorsque le réfrigérateur est mis sous tension pour la première fois, l'indicateur s'allume. La température du réfrigérateur et celle du congélateur sont réglées automatiquement sur 5 °C et -18 °C respectivement.

Verrouillage/Déverrouillage du panneau

1. Verrouillage automatique : lorsque la porte du réfrigérateur et la porte du congélateur sont fermées et qu'aucune touche n'est actionnée dans les 30 secondes, l'écran s'éteint et se verrouille automatiquement.



2. Verrouillage manuel : lorsque l'écran d'affichage est déverrouillé, appuyez sur la touche « G » (sélecteur de verrouillage du panneau) et maintenez-la enfoncée pendant 3 secondes, le signal sonore retentit une fois, l'indicateur « g » (verrouillage du panneau) s'allume et l'affichage est verrouillé.



Régler la température

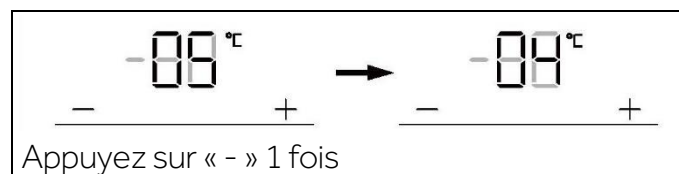
Les températures intérieures sont influencées par les facteurs suivants :

- ▶ Température ambiante
- ▶ Fréquence d'ouverture de la porte
- ▶ Quantité d'aliments stockés
- ▶ Installation de l'appareil

Réglez la température du réfrigérateur

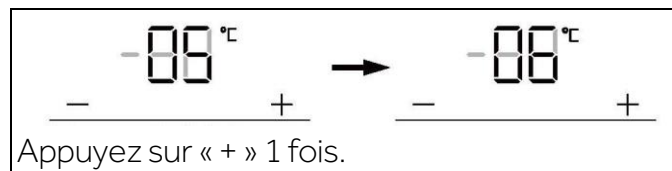
1. Lorsque l'écran d'affichage est déverrouillé, appuyez sur la touche « C » (sélecteur de zone). Le signal sonore retentit une fois, l'indicateur « c1 » (indicateur du réfrigérateur) clignote, puis vient le mode de réglage de la température du réfrigérateur.

2. Appuyez sur la touche « D1 » (touche de réglage de la température « - ») à chaque fois, le signal sonore retentit une fois, la température définie du réfrigérateur sera réduite de 1. La température du réfrigérateur s'affiche selon la séquence « 9 °C -> 8 °C -> 7 °C -> 6 °C -> 5 °C -> 4 °C -> 3 °C -> 2 °C -> 1 °C ».



Réglage de la température du réfrigérateur

3. Appuyez sur la touche « D2 » (touche de réglage de la température « + ») à chaque fois, le signal sonore retentit une fois, la température définie du réfrigérateur sera augmentée de 1. La température du réfrigérateur s'affiche selon la séquence « 1 °C -> 2 °C -> 3 °C -> 4 °C -> 5 °C -> 6 °C -> 7 °C -> 8 °C -> 9 °C ».

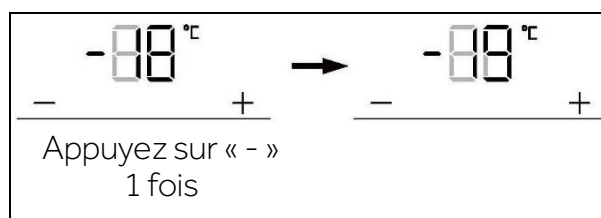


i Remarque

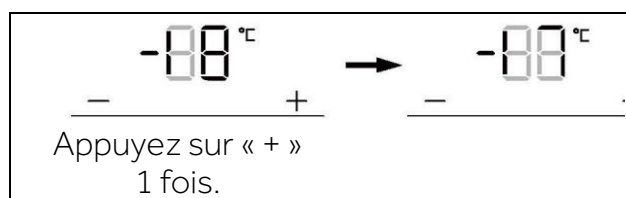
Après avoir réglé la température, s'il n'y a pas d'opération dans les 5 secondes, le système enregistrera automatiquement la température définie.

Régler la température du congélateur

1. Lorsque l'écran d'affichage est déverrouillé, appuyez sur la touche « C » (sélecteur de zone). Le signal sonore retentit une fois, l'indicateur « c2 » (indicateur du congélateur) clignote, puis vient le mode de réglage de la température du congélateur.
2. Appuyez sur la touche « D1 » (touche de réglage de la température « - ») à chaque fois, le signal sonore retentit une fois, la température définie du congélateur sera réduite de 1. La température du congélateur s'affiche selon la séquence « -14 °C -> -15 °C -> -16 °C -> -17 °C -> -18 °C -> -19 °C -> -20 °C -> -21 °C -> -22 °C -> -23 °C -> -24 °C ».



3. Appuyez sur la touche « D2 » (touche de réglage de la température « + ») à chaque fois, le signal sonore retentit une fois, la température définie du congélateur sera augmentée de 1. La température du congélateur s'affiche selon la séquence « -24 °C -> -23 °C -> -22 °C -> -21 °C -> -20 °C -> -19 °C -> -18 °C -> -17 °C -> -16 °C -> -15 °C -> -14 °C ».

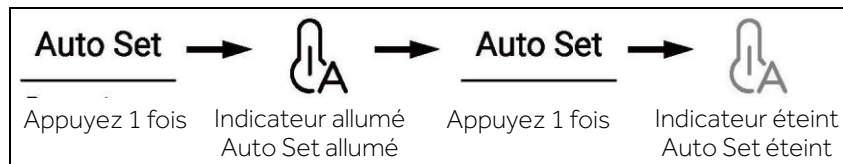


i Remarque

Après avoir réglé la température, s'il n'y a pas d'opération dans les 5 secondes, le système enregistrera automatiquement la température définie.

Mode Auto Set

1. Lorsque l'écran d'affichage est déverrouillé, appuyez sur la touche « A » (sélecteur de mode Auto Set), le signal sonore retentit une fois, l'indicateur « a1 » (mode Auto Set) s'allume, puis la fonction Auto Set est activée.
2. Lorsque l'indicateur « a1 » (mode Auto Set) s'allume, appuyez sur la touche « A » (sélecteur de mode Auto Set), le signal sonore retentit une fois, l'indicateur « a1 » (mode Auto Set) s'éteint, puis la fonction Auto Set est désactivée.



Remarque

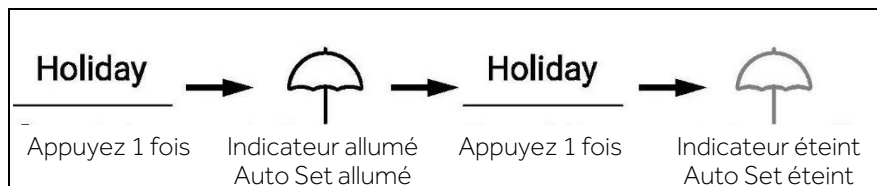
En mode Auto Set, la température du réfrigérateur ou du congélateur ne peut pas être réglée. Si vous appuyez sur la touche « D1 » (touche de réglage de la température « - ») ou sur la touche « D2 » (touche de réglage de la température « + ») pour régler la température du congélateur ou du réfrigérateur, l'indicateur « a1 » (indicateur Auto Set) clignote avec un son rapide pour indiquer que cette opération ne peut pas être effectuée.

En mode Auto Set, en raison de différentes méthodes de contrôle, si la fonction « Super-Cool », « Super-Freeze » ou « Holiday » est activée, l'indicateur « a1 » (mode Auto Set) s'éteint, puis la fonction Auto Set est automatiquement désactivée.

Mode Holiday

Le mode Holiday est conçu pour ne pas utiliser le réfrigérateur pendant une période prolongée. Lorsque le mode Holiday est activé, le congélateur est sous contrôle normal et la température du réfrigérateur est automatiquement réglée sur 17 °C. La température réelle n'est pas supérieure à 17 °C, ce qui empêche les odeurs particulières causées par une température trop élevée et contribue à réduire la consommation d'énergie en même temps.

1. Lorsque l'écran d'affichage est déverrouillé, appuyez sur la touche « B » (sélecteur de mode Holiday), le signal sonore retentit une fois, l'indicateur « b » (mode Holiday) s'allume, puis la fonction Holiday est activée.
2. Lorsque l'indicateur « b » (mode Holiday) s'allume, appuyez sur la touche « B » (sélecteur de mode Holiday), le signal sonore retentit une fois, l'indicateur « b » (mode Holiday) s'éteint, puis la fonction Holiday est désactivée.



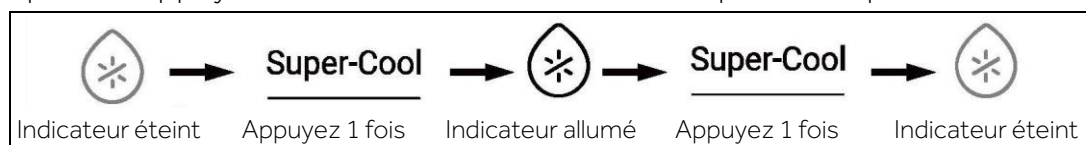
Remarque

En mode Holiday, la température du réfrigérateur ne peut pas être réglée. Si vous appuyez sur la touche « D1 » (touche de réglage de la température « - ») ou sur la touche « D2 » (touche de réglage de la température « + ») pour régler la température du réfrigérateur, l'indicateur « b » (indicateur Holiday) clignote avec un son rapide pour indiquer que cette opération ne peut pas être effectuée.

Avant d'utiliser la fonction Holiday, veuillez vider le réfrigérateur pour éviter que des aliments y pourrissent. Lorsque la fonction Holiday est activée, la fonction « Auto Set » ou « Super-Cool » ne peut pas être activée en même temps.

Fonction Super-Cool

1. Lorsque l'écran d'affichage est déverrouillé, appuyez sur la touche « F » (sélecteur Super-Cool), le signal sonore retentit une fois, l'indicateur « f » (fonction Super-Cool) s'allume, puis la fonction Super-Cool est activée.
2. Lorsque l'indicateur « f » (fonction Super-Cool) s'allume, appuyez sur la touche « F » (sélecteur Super-Cool), le signal sonore retentit une fois, l'indicateur « f » (fonction Super-Cool) s'éteint, puis la fonction Super-Cool est désactivée.
3. Une fois la fonction Super-Cool activée, le réfrigérateur arrêtera automatiquement la fonction lorsqu'il atteindra la condition définie. Si vous souhaitez quitter manuellement, vous pouvez appuyer sur la touche « F » (sélecteur Super-Cool) pour l'éteindre.



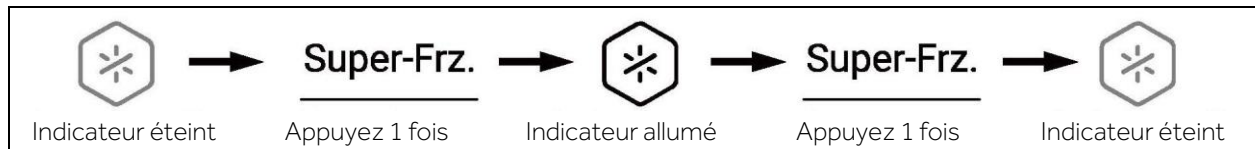
Remarque

En mode Super-Cool, la température du réfrigérateur ne peut pas être réglée. Si vous appuyez sur la touche « D1 » (touche de réglage de la température « - ») ou sur la touche « D2 » (touche de réglage de la température « + ») pour régler la température du réfrigérateur, l'indicateur « f » (indicateur Super-Cool) clignote avec un son rapide pour indiquer que cette opération ne peut pas être effectuée.

En mode Super-Cool, la fonction Auto-set ne peut pas être activée en même temps que la fonction Holiday en raison des différents modes de contrôle. Lorsque vous choisissez une fonction qui entre en conflit avec une autre, la fonction d'origine est automatiquement désactivée.

Fonction Super-Freeze (Super-Frz)

1. Lorsque l'écran est déverrouillé, appuyez sur la touche « E » (sélecteur Super-Frz.), le signal sonore retentit une fois, l'indicateur « e1 » (fonction Super-Freeze) s'allume, puis la fonction Super-Freeze est activée.
2. Lorsque l'indicateur « e1 » (fonction Super-Freeze) s'allume, appuyez sur la touche « E » (sélecteur Super-Frz.), le signal sonore retentit une fois, l'indicateur « e1 » (fonction Super-Freeze) s'éteint, puis la fonction Super-Freeze est désactivée.
3. Une fois la fonction Super-Freeze activée, le réfrigérateur arrêtera automatiquement la fonction lorsqu'il atteindra la condition définie. Si vous souhaitez quitter manuellement, vous pouvez appuyer sur la touche « E » (sélecteur Super-Frz.) pour l'éteindre.



Remarque

En mode Super-Freeze, la température du congélateur ne peut pas être réglée. Si vous appuyez sur la touche « D1 » (touche de réglage de la température « - ») ou sur la touche « D2 » (touche de réglage de la température « + ») pour régler la température du congélateur, l'indicateur « e1 » (indicateur Super-Frz.) clignote avec un son rapide pour indiquer que cette opération ne peut pas être effectuée.

En mode Super-Freeze, la fonction Auto-set ne peut pas être activée en même temps en raison des différents modes de contrôle. Lorsque vous choisissez une fonction qui entre en conflit avec une autre, la fonction d'origine est automatiquement désactivée.

Fonction du filtre

Lorsque le réfrigérateur fonctionne pendant six mois, l'indicateur de rappel « c3 » (fonction de réinitialisation du filtre) s'active pour rappeler aux utilisateurs de remplacer le filtre par un neuf. Lorsque le filtre est remplacé, maintenez la touche « C » (sélecteur de la fonction de réinitialisation du filtre) pendant 3 secondes pour annuler le rappel, le compteur se réinitialise avec l'anneau sonore.

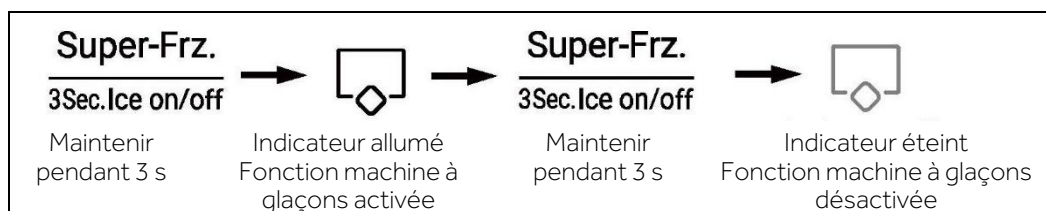


Remarque

La durée de vie normale du filtre est de six mois. Il est recommandé de remplacer le filtre tous les six mois.

Mode Machine à glaçons

1. En mode déverrouillé, appuyez sur la touche « E » (sélecteur de mode Machine à glaçons) et maintenez-la enfoncée pendant 3 secondes, le signal sonore retentit une fois, l'indicateur « e2 » (mode Machine à glaçons) s'allume, puis le mode Machine à glaçons est activé.
2. Lorsque l'indicateur « e2 » (mode Machine à glaçons) s'allume, appuyez sur la touche « E » (sélecteur de mode Machine à glaçons) et maintenez-la enfoncée pendant 3 secondes, le signal sonore retentit une fois, l'indicateur « e2 » (mode Machine à glaçons) s'éteint, puis le mode Machine à glaçons est désactivé.

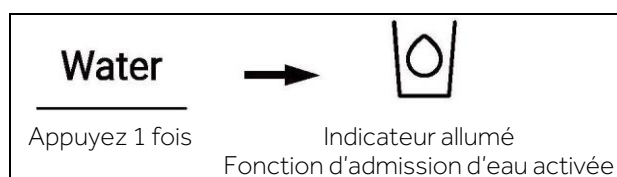


Remarque

Lorsque l'application est mise sous tension, la machine à glaçons est désactivée par défaut. Si vous n'avez pas besoin de glaçons pendant une longue période, éteignez la fonction Machine à glaçons, videz le récipient et insérez le récipient nettoyé. La machine à glaçons ne peut être configurée qu'avec le fabricant ou achetée auprès de son agent de service.

Fonction d'admission d'eau

Dans tous les modes (verrouillé ou déverrouillé), appuyez sur la touche « H1 » (sélecteur de fonction d'admission d'eau), le signal sonore retentit une fois, l'indicateur « h1 » (fonction d'admission d'eau) s'allume, puis la fonction d'admission d'eau est activée.

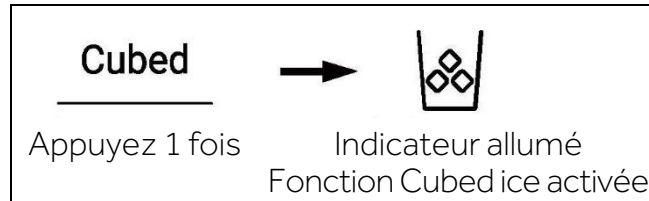


Remarque

1. Lorsque l'indicateur « h1 » (fonction d'admission d'eau) s'allume, l'indicateur « h2 » (fonction Cubed Ice) et l'indicateur « h3 » (fonction Crushed Ice) s'éteignent. Après avoir appuyé sur la pédale du distributeur, de l'eau s'écoule par l'orifice d'admission d'eau.
2. Lorsque le temps d'arrivée d'eau atteint 150 s, le réfrigérateur émet un bip et conserve l'eau jusqu'à 180 s, l'eau est ensuite coupée et la vanne d'eau passe en mode de protection jusqu'à 200 s, avant qu'une entrée d'eau puisse à nouveau avoir lieu.
3. Lorsque le temps cumulatif d'admission d'eau atteint 5 min dans les 10 min, la vanne d'eau passe en mode de protection pendant 10 min, puis l'admission d'eau est rétablie.

Fonction Cubed ice

Dans tous les modes (verrouillé ou déverrouillé), appuyez sur la touche « H2 » (sélecteur de la fonction Cubed ice), le signal sonore retentit une fois, l'indicateur « h2 » s'allume (fonction Cubed ice) et la fonction Cubed ice est activée.

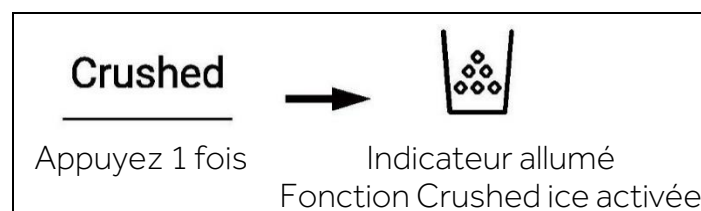


Remarque

1. Lorsque l'indicateur « h2 » (fonction Cubed ice) s'allume, l'indicateur « h1 » (fonction d'admission d'eau) et l'indicateur « h3 » (fonction Crushed ice) s'éteignent. Lorsque le micro-interrupteur du distributeur est enfoncé, la glace pilée s'écoule de l'orifice d'admission.
2. Lorsque la machine à glaçons est raccordée pour la première fois à l'électricité, la fonction Cubed ice est désactivée par défaut.
3. Appuyez sur le micro-interrupteur du distributeur, la lumière de celui-ci s'allume avec le couvercle de celui-ci ouvert. Ensuite, le moteur du système de glace pilée commence à tourner dans le sens inverse des aiguilles d'une montre afin de pousser les glaçons. Desserrez le micro-interrupteur du distributeur, le moteur s'arrête, le couvercle du distributeur se ferme et la lumière s'éteint au bout de 5 secondes.
4. En mode Cubed ice, lorsque la durée d'utilisation de la fonction Cubed Ice est supérieure à 50 secondes, un signal sonore se déclenche pour signaler aux utilisateurs de l'arrêter. Lorsque la durée atteint 1 minute, l'arrêt de la fonction Cubed ice est forcé, et son utilisation ne reprendra qu'au prochain actionnement de l'interrupteur.
5. En mode Cubed ice, si la porte du réfrigérateur est ouverte, le moteur qui émet de la glace s'arrête, le couvercle du distributeur se ferme, la lumière du distributeur s'éteint et l'écoulement des glaçons s'arrête.
6. Il est interdit de prendre de la glace avec la porte du réfrigérateur ouverte.

Fonction Crushed ice

Dans tous les modes (verrouillés ou déverrouillés), appuyer sur la touche « H3 » (sélecteur de fonction Crushed ice), le signal sonore retentit une fois, l'indicateur « h3 » (fonction Crushed ice) s'allume, puis la fonction Crushed ice est activée.



Remarque

Lorsque l'indicateur « h3 » (fonction Crushed ice) s'allume, l'indicateur « h1 » (fonction d'admission d'eau) et l'indicateur « h2 » (fonction Cubed ice) s'éteignent. Lorsque le micro-interrupteur du distributeur est enfoncé, les glaçons s'écoulent de l'orifice d'admission.

Appuyez sur le micro-interrupteur du distributeur, la lumière de celui-ci s'allume avec le couvercle de celui-ci ouvert. Ensuite, le moteur du système de glace pilée commence à tourner dans le sens des aiguilles d'une montre afin de pousser les glaçons. Desserrez le micro-interrupteur du distributeur, le moteur s'arrête, le couvercle du distributeur se ferme et la lumière s'éteint au bout de 5 secondes.

En mode Crushed ice, lorsque la durée est supérieure à 50 secondes, un signal sonore se déclenche pour signaler aux utilisateurs de l'arrêter. Lorsque la durée atteint 1 minute, l'arrêt de la fonction Crushed ice est forcé, et son utilisation ne reprendra qu'au prochain actionnement de l'interrupteur.

En mode Crushed ice, si la porte du réfrigérateur est ouverte, le moteur qui émet de la glace s'arrête, le couvercle du distributeur se ferme, la lumière du distributeur s'éteint et l'écoulement de la glace pilée s'arrête.

Il est interdit de prendre de la glace pilée avec la porte du réfrigérateur ouverte.

Alarme d'ouverture de porte

Si une porte est maintenue ouverte trop longtemps ou si la porte n'est pas bien fermée, le réfrigérateur émettra un signal sonore à l'intervalle défini pour vous rappeler de fermer la porte.

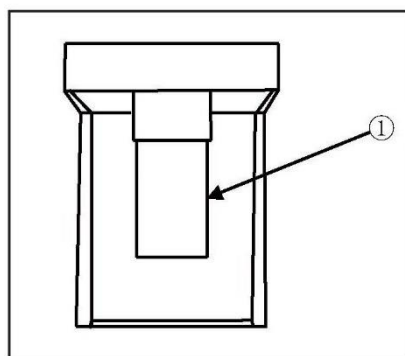
Mémoire de coupure de courant

L'état de fonctionnement instantané est mémorisé lors d'une coupure de courant. Une fois le courant rétabli, les fonctions activées avant la coupure de courant seront à nouveau fonctionnelles.

Utilisation du distributeur de glaçons et d'eau

Appuyez plusieurs fois sur la touche de sélection du distributeur jusqu'à ce que la lumière située au-dessus de l'indicateur souhaité s'allume.

Appuyez sur la pédale du distributeur (1) avec un verre ou un autre récipient pour prendre de la glace, de l'eau ou de la glace pilée.

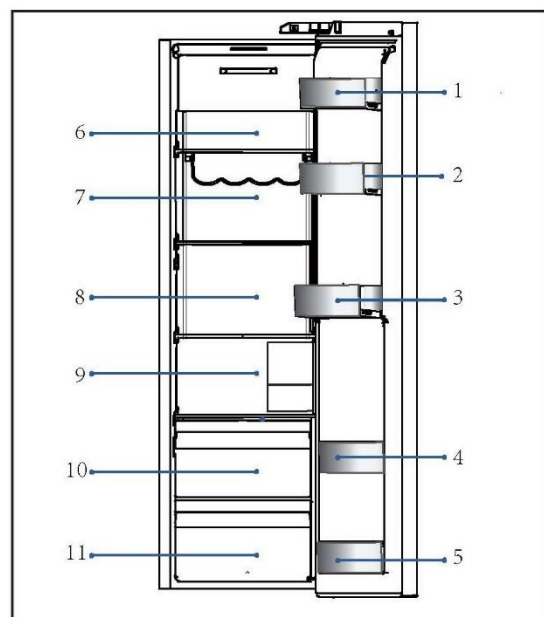


CONSEILS POUR CONSERVER DES ALIMENTS FRAIS

Stockage dans le compartiment réfrigérateur

1. Conservez la température de votre réfrigérateur en dessous de 5 °C.
2. Les aliments chauds doivent avoir refroidi à température ambiante avant d'être placés dans l'appareil.
3. Les aliments conservés au réfrigérateur doivent être lavés et séchés avant de les entreposer.
4. Les aliments à conserver doivent être correctement emballés hermétiquement pour éviter les altérations d'odeurs ou de goût.
5. Ne conservez pas des quantités excessives d'aliments. Laissez de la place entre les aliments pour permettre à l'air froid de circuler autour d'eux, pour un refroidissement meilleur et plus homogène.
6. Les aliments consommés quotidiennement doivent être conservés à l'avant de la clayette.
7. Laissez un espace entre les aliments et les parois intérieures, pour permettre la circulation de l'air. En particulier, ne placez pas d'aliments contre la paroi arrière : les aliments peuvent geler contre la paroi arrière. Évitez tout contact direct des aliments (en particulier les aliments gras ou acides) avec le revêtement intérieur, car l'huile/l'acide peut éroder le revêtement intérieur. Nettoyez les saletés grasses/acides chaque fois que vous en découvrez.
8. Décongelez les aliments surgelés dans le compartiment de rangement du réfrigérateur. De cette façon, vous pouvez utiliser les aliments surgelés pour diminuer la température du compartiment et économiser de l'énergie.
9. La maturation des fruits et légumes comme les courgettes, les melons, la papaye, la banane, l'ananas, etc. peut être accélérée au réfrigérateur. Par conséquent, il est déconseillé de les conserver au réfrigérateur. Cependant, la maturation des fruits très verts peut être favorisée pendant une certaine période. Les oignons, l'ail, le gingembre et les autres légumes-racines doivent également être conservés à température ambiante.
10. Les odeurs désagréables à l'intérieur du réfrigérateur sont un signe que quelque chose a été renversé et qu'il faut nettoyer. Voir ENTRETIEN ET NETTOYAGE.
11. Différents aliments doivent être placés dans différents endroits en fonction de leurs propriétés :

- 1-Beurre, fromage, etc.
- 2-OEufs, aliments en conserve, épices, etc.
- 3/4/5-Boissons et aliments en bouteille.
- 6-Aliments marinés, aliments en conserve, etc.
- 7/8-Produits à base de viande, poisson, aliments crus
- 9-Boîtes de conserve, produits laitiers, etc.
- 10-Fruits, légumes, laitue, etc.
- 11-Viande cuite, saucisses, etc.

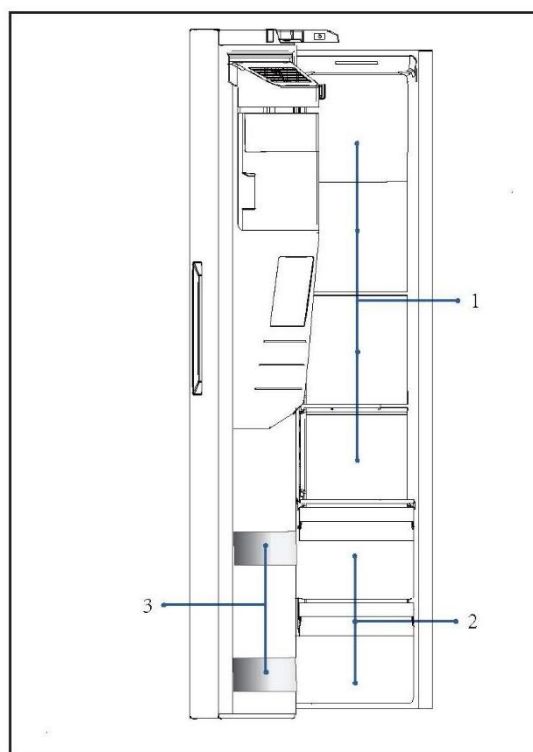


CONSEILS POUR CONSERVER DES ALIMENTS FRAIS

Conservation dans le compartiment congélateur

1. Maintenez la température du congélateur à -18°C .
2. 12 heures avant de congeler d'autres aliments, activez la fonction Super-Freeze ; pour de petites quantités d'aliments de 4 à 6 heures suffisent.
3. Les aliments chauds doivent avoir refroidi à température ambiante avant d'être placés dans le compartiment congélateur.
4. Les aliments coupés en petites portions congèleront plus rapidement et seront plus faciles à décongeler et à cuire. Le poids recommandé pour chaque portion est inférieur à 2,5 kg.
5. Il vaut mieux emballer les aliments avant de les mettre dans le congélateur. L'extérieur de l'emballage doit être sec pour éviter que les sacs ne collent les uns aux autres. Les matériaux d'emballage doivent être exempts d'odeurs, étanches à l'air et non toxiques.
6. Afin d'éviter l'expiration des périodes de conservation, veuillez noter la date de congélation, la limite de temps et le nom des aliments présents sur l'emballage en fonction des périodes de conservation des différents aliments.
7. **AVERTISSEMENT !** : les acides, les alcalins et le sel, etc., pourraient éroder la surface interne du congélateur. Ne placez pas les aliments contenant ces substances (par ex. poissons de mer) directement sur la surface interne. L'eau salée dans le congélateur doit être nettoyée immédiatement.
8. Ne dépassez pas les temps de conservation des aliments recommandés par les fabricants. Ne sortez que la quantité requise d'aliments du congélateur.
9. Différents aliments doivent être placés dans différents endroits en fonction de leurs propriétés :

- 1- Les produits moins lourds, tels que les glaces, les légumes, le pain, etc.
- 2- Portions d'aliments plus grandes/plus lourdes, telles que des morceaux de viande à rôtir, pizza, etc.
- 3- pizza, etc.





REMARQUE : CONSERVATION

1. Maintenez une distance de plus de 10 mm entre les aliments et le capteur afin d'assurer l'effet de refroidissement.
2. Veuillez laisser le tiroir le plus bas dans l'appareil lorsqu'il fonctionne afin de garantir l'effet de refroidissement.
3. Les aliments contenant de la glace (comme la crème glacée, etc.) doivent être stockés dans le compartiment congélateur plutôt que dans les porte-bouteilles. Les changements de température auxquels les porte-bouteilles sont exposés, causés par l'ouverture et la fermeture de la porte, peuvent décongeler les aliments.
4. Consommez rapidement les aliments décongelés. Les aliments décongelés ne peuvent pas être recongelés à moins qu'ils ne soient d'abord cuits, sans quoi ils risqueraient de devenir impropres à la consommation.
5. Ne mettez pas de quantités excessives d'aliments frais dans le compartiment congélateur. Reportez-vous à la capacité de congélation du congélateur - Voir les DONNÉES TECHNIQUES ou les données sur la plaque signalétique.
6. Les aliments peuvent être conservés au congélateur à une température d'au moins -18 °C pendant 2 à 12 mois, en fonction de leurs propriétés (par ex. viande : 3-12 mois, légumes : 6-12 mois)
7. Lorsque vous congélez des aliments frais, évitez de les mettre en contact avec des aliments déjà congelés. Risque de décongélation !
8. Décongelez les aliments congelés au réfrigérateur. De cette façon, vous pouvez utiliser les aliments surgelés pour diminuer la température du compartiment et économiser de l'énergie.

Lorsque vous conservez des aliments surgelés achetés dans le commerce, veuillez suivre ces directives :

1. Suivez toujours les directives du fabricant pour la durée de conservation des aliments. Ne dépassez pas ces directives !
2. Essayez de garder le temps entre l'achat et le stockage le plus court possible pour préserver la qualité des aliments.
3. Achetez des aliments surgelés, qui ont été conservés à une température de -18 °C ou moins.
4. Évitez d'acheter des aliments qui ont de la glace ou du givre sur l'emballage - cela indique que les produits ont pu être partiellement décongelés et recongelés à un certain moment - les hausses de température affectent la qualité des aliments.

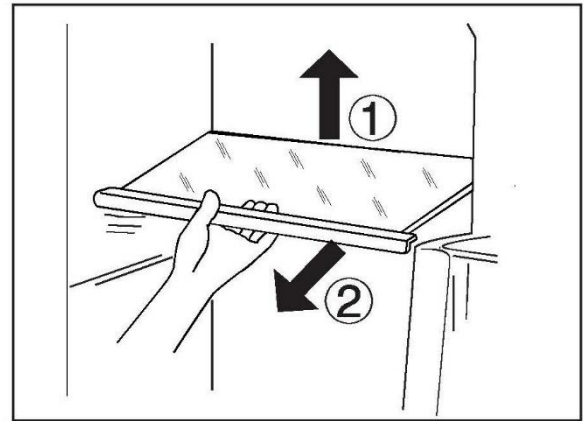


Conseils d'économie d'énergie

- ▶ Assurez-vous que l'appareil est bien ventilé (voir INSTALLATION).
- ▶ N'installez pas l'appareil en plein soleil ou à proximité de sources de chaleur (par ex. cuisinières, chauffages).
- ▶ Évitez une température inutilement basse dans l'appareil. Plus vous réglez bas la température de l'appareil, plus la consommation d'énergie augmente.
- ▶ Des fonctions comme POWER-FREEZE consomment plus d'énergie.
- ▶ Laissez les aliments chauds refroidir avant de les mettre dans l'appareil.
- ▶ Ouvrez la porte de l'appareil le moins souvent et le plus rapidement possible.
- ▶ Ne remplissez pas trop l'appareil pour éviter de bloquer la circulation de l'air.
- ▶ Évitez l'air dans l'emballage des aliments.
- ▶ Gardez les joints de la porte propres afin que la porte se ferme toujours correctement.
- ▶ Décongelez les aliments surgelés dans le compartiment de rangement du réfrigérateur.
- ▶ La configuration la plus économe en énergie exige que l'appareil conserve les tiroirs, la boîte de rangement et les clayettes en parfait état, et les aliments doivent être placés le plus loin possible des orifices de sortie de la conduite d'air.

Clayettes réglables

1. La hauteur des clayettes peut être réglée en fonction de vos besoins de rangement.
2. Pour déplacer une clayette, retirez-la d'abord en levant son bord arrière ① et en la tirant ②.
3. Pour la remettre en place, placez-la sur les ergots des deux côtés et poussez-la dans la position la plus reculée jusqu'à ce que l'arrière de la clayette soit fixé à l'intérieur des fentes sur les côtés.

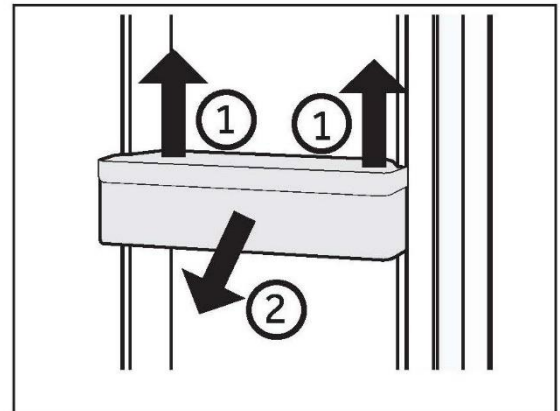


REMARQUE

Assurez-vous que toutes les extrémités d'une clayette sont au même niveau.

Balconnets de porte amovibles/Porte-bouteille

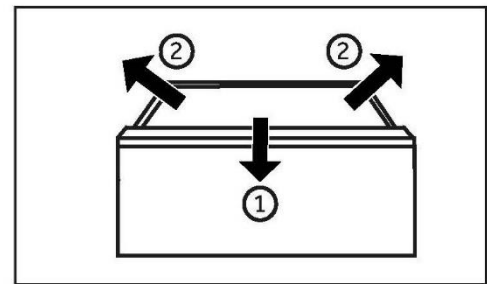
1. Les balconnets de porte/porte-bouteilles peuvent être retirés pour le nettoyage :
2. Placez les mains de chaque côté des balconnets/porte-bouteilles, soulevez-les ① et tirez-les ②.
3. Pour insérer les balconnets de porte/porte-bouteilles, vous devez suivre les étapes ci-dessus dans l'ordre inverse.



Tiroir amovible

Pour retirer le tiroir, sortez-le au maximum ①, soulevez-le et retirez-le ②.

Pour introduire le tiroir, vous devez effectuer les étapes ci-dessus dans l'ordre inverse.



Bac à glaçons

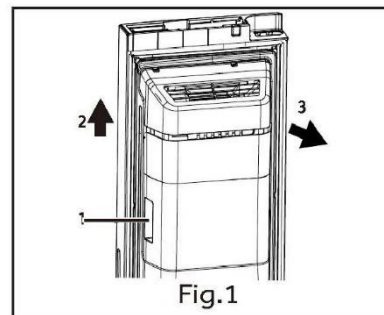
Arrêter la production de glace

Si aucune glace ou eau n'est nécessaire pendant une longue période, la vanne entre l'alimentation en eau et l'appareil peut être fermée.

Le bac à glaçons doit être nettoyé, séché et remis en place dans l'appareil pour éviter l'apparition d'odeurs.

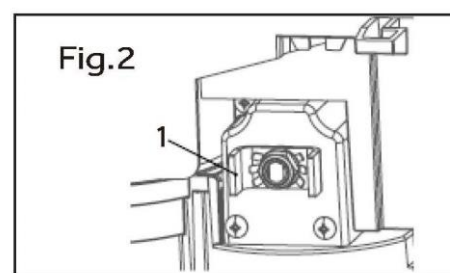
Retrait du bac à glaçons

1. Saisissez les deux poignées latérales.
2. Soulevez le bac.
3. Retirez le bac.



Réinstallation du bac à glaçons

Pour réinstaller le bac à glaçons, le support en U situé derrière le bac à glaçons (1 à la Fig. 2) doit être aligné avec la structure métallique correspondante. Suivez les étapes de la Fig. 1 dans l'ordre inverse.



REMARQUE

L'humidité peut se condenser et geler le bac à glaçons en place.



AVERTISSEMENT !

Débranchez l'appareil de l'alimentation électrique avant de le nettoyer.

Nettoyage

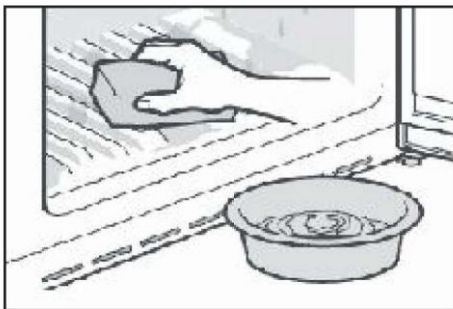
Nettoyez l'appareil lorsqu'il n'y a qu'un peu de nourriture ou qu'il n'y a pas de nourriture à l'intérieur.

L'appareil doit être nettoyé toutes les quatre semaines pour un bon entretien et pour éviter les mauvaises odeurs des aliments conservés à l'intérieur.



AVERTISSEMENT !

- ▶ Ne nettoyez pas l'appareil à l'aide de brosses dures, de brosses métalliques, de détergents en poudre, d'essence, d'acétate d'amyle, d'acétone et de solutions organiques similaires, d'acides ou de solutions alcalines. Nettoyez-le avec un détergent spécial pour réfrigérateur afin d'éviter de l'endommager.
- ▶ Ne pulvérisez pas et ne rincez pas l'appareil pendant le nettoyage.
- ▶ N'utilisez pas de jet d'eau ou de vapeur pour nettoyer l'appareil.
- ▶ Ne nettoyez pas les clayettes froides en verre à l'eau chaude. Un changement soudain de température peut casser le verre.
- ▶ Ne touchez pas la surface intérieure du compartiment de l'appareil, en particulier avec les mains mouillées, car vos mains peuvent geler sur la surface.
- ▶ En cas de réchauffement, vérifiez l'état des produits surgelés.



- ▶ Gardez toujours le joint de la porte propre.
 - ▶ Nettoyez l'intérieur et le bâti de l'appareil à l'aide d'une éponge imbibée d'eau tiède et de détergent neutre.
1. Veuillez frotter l'intérieur et l'extérieur du réfrigérateur, y compris le joint de porte, le porte-bouteille, les clayettes en verre, les boîtes, etc., avec un torchon doux ou une éponge imbibée d'eau chaude (vous pouvez ajouter un détergent neutre dans l'eau chaude).
 2. S'il y a du liquide renversé, retirez toutes les parties contaminées, rincez-les directement sous l'eau du robinet, séchez-les et remettez-les dans le réfrigérateur.
 3. S'il y a de la crème (par exemple de la crème, de la crème glacée qui fond), retirez toutes les parties contaminées, placez-les dans de l'eau chaude à 40 °C pendant un certain temps, puis rincez-les à l'eau courante, séchez-les et remettez-les dans le réfrigérateur.
 4. Si une petite pièce ou un élément reste coincé à l'intérieur du réfrigérateur (entre les clayettes ou les tiroirs), utilisez une petite brosse souple pour l'éliminer. Si vous ne pouvez pas atteindre la pièce, veuillez contacter le service clientèle Haier
- ▶ Rincez et séchez avec un chiffon doux.
 - ▶ Ne nettoyez aucune des parties de l'appareil au lave-vaisselle.
 - ▶ Attendez au moins 5 minutes avant de redémarrer l'appareil, car le démarrage fréquent risque d'endommager le compresseur.

Dégivrage

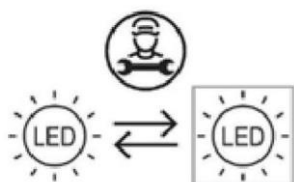
Le dégivrage des compartiments réfrigérateur et congélateur se fait automatiquement ; aucune opération manuelle n'est nécessaire.

Remplacement des lampes LED

AVERTISSEMENT !

Ne remplacez pas la lampe LED vous-même, elle ne doit être remplacée que par le fabricant ou l'agent de maintenance agréé.

Les lampes utilisent des LED comme source lumineuse, avec une faible consommation d'énergie et une longue durée de vie. En cas d'anomalie, veuillez contacter le service clientèle. Reportez-vous au paragraphe SERVICE CLIENTÈLE.



Source de lumière (LED uniquement) remplaçable par un professionnel.

Ce produit contient une source de lumière appartenant à la classe d'efficacité énergétique G.

Compartiment	Tension	Classe d'efficacité énergétique	Modèle
Réfrigérateur	12 V	G	HSW59F18DIMM
Congélateur	12 V	G	HSW79F18DIPT
Lampe arrière	12 V	G	

Nettoyage du bac à glaçons

Nettoyez régulièrement le bac à glaçons avec de l'eau chaude, surtout si les glaçons sont vieux et périmés. Séchez bien le récipient avant de le remettre dans l'appareil afin d'éviter que les glaçons ne collent aux parois.

Non-utilisation pendant une période prolongée

Si l'appareil n'est pas utilisé pendant une période prolongée et que vous n'utiliserez pas la fonction Holiday pour le réfrigérateur :

- ▶ Sortez les aliments.
- ▶ Débranchez le cordon d'alimentation.
- ▶ Nettoyez l'appareil selon les instructions ci-dessus.
- ▶ Gardez les portes ouvertes pour éviter la formation de mauvaises odeurs à l'intérieur.

REMARQUE

N'éteignez l'appareil que si cela est strictement nécessaire.



Déplacement de l'appareil

1. Retirez tous les aliments et débranchez l'appareil.
2. Fixez les clayettes et les autres parties mobiles dans le réfrigérateur et dans le congélateur avec du ruban adhésif.
3. N'inclinez pas le réfrigérateur à plus de 45° pour éviter d'endommager le système de réfrigération.



AVERTISSEMENT !

- ▶ Ne soulevez pas l'appareil par ses poignées.
- ▶ Ne placez jamais l'appareil à l'horizontale sur le sol.

Remplacement du filtre

Le filtre à eau doit être remplacé environ tous les 6 mois, lorsque l'indicateur « c3 » (fonction de réinitialisation du filtre) s'allume.

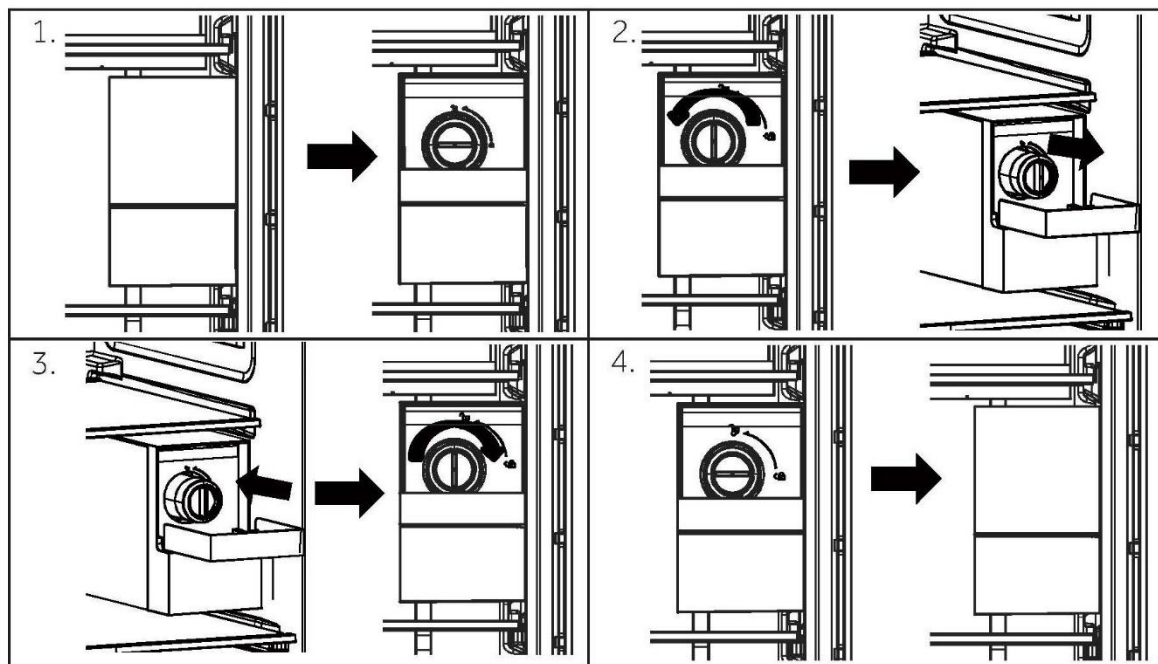
Pour acheter un filtre à eau de remplacement :

- Utilisez la cartouche de remplacement : HRXWF,
- Rendez-vous chez votre revendeur ou distributeur local. Pour obtenir de l'aide, rendez-vous sur notre site Web à l'adresse www.haierespares.eu



Remarque

- ▶ Le remplacement du filtre à eau provoque l'écoulement d'une petite quantité d'eau (environ 25 cc).
 - ▶ Enveloppez un chiffon autour de l'avant du couvercle du filtre à eau pour recueillir toute fuite d'eau éventuelle. Tenez le filtre à eau en position verticale, une fois qu'il est retiré, afin d'éviter que l'eau restante ne s'échappe du filtre à eau.
1. Appuyez sur le milieu du couvercle supérieur et tournez-le vers le bas.
 2. Retirez le filtre à eau jetable.
 3. Remplacez-le par un neuf. Insérez le nouveau filtre dans la tête du filtre et tournez-le dans le sens des aiguilles d'une montre jusqu'à ce que la flèche du filtre neuf soit dans l'alignement de la flèche située sur la tête du filtre. Remplacez le filtre dans le compartiment.
 4. Fermez le couvercle du filtre à eau.



5. Appuyez et maintenez la touche 3Sec. Filter Reset enfoncée pendant 3 secondes.
6. Faites couler l'eau pendant environ 5 minutes pour éliminer l'air emprisonné et les contaminants.



ATTENTION !

- ▶ Ne pas remplacer les filtres lorsque cela est nécessaire ou l'utilisation de filtres à eau non autorisés par Haier peut entraîner des fuites de la cartouche du filtre et causer des dommages matériels.

Filtre à eau

Modèle : Haier HRXWF

- ▶ Système certifié par IAPMO R&T d'après les normes NSF/ANSI 42, 53, 401 et P473 pour la réduction des revendications spécifiées sur la fiche de performance et sur iapmort.org.
- ▶ Les performances réelles peuvent varier en fonction des critères d'eau locaux.

Directives d'application/Paramètres d'approvisionnement en eau

Débit de service : 1,89 l/min (0,5 g/min)

Approvisionnement en eau : Eau potable

Pression d'eau : 25-120 psi (172-827 kPa)

Température de l'eau : 0,6 °C-38 °C

Capacité : 643,5 litres (170 gallons)

Il est essentiel de respecter les exigences d'installation, d'entretien et de remplacement du filtre recommandées par le fabricant pour que le produit fonctionne comme annoncé. Consultez le manuel d'installation pour obtenir des informations sur la garantie.



Remarque

Bien que les essais aient été effectués dans des conditions de laboratoire normalisées, les performances réelles peuvent varier. Cartouche de remplacement : HRXWF Pour les coûts estimés des éléments de remplacement, rendez-vous sur notre site Web à l'adresse www.haiersparses.eu.



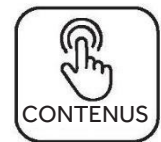
AVERTISSEMENT !

- ▶ Pour réduire le risque associé à l'ingestion de contaminants :
- ▶ N'utilisez pas de l'eau peu sûre sur le plan microbiologique ou de qualité inconnue sans désinfection adéquate avant ou après le système. Les systèmes certifiés pour l'élimination des kystes peuvent être utilisés sur de l'eau désinfectée susceptible des kystes filtrables.

Remarque

Pour réduire les risques de fuite ou de dégât des eaux et assurer une performance optimale du filtre :

- ▶ Lisez et suivez les instructions d'utilisation avant l'installation et l'utilisation de ce système.
- ▶ L'installation et l'utilisation DOIVENT être conformes à tous les codes nationaux et locaux en matière de plomberie.
- ▶ N'installez pas le filtre si la pression de l'eau dépasse 120 psi (827 kPa). Si votre pression d'eau dépasse 80 psi (552 kPa), vous devez installer une soupape à limitation de pression. Si vous ne savez pas comment vérifier la pression de votre eau, contactez un professionnel de la plomberie.
- ▶ N'installez pas le filtre lorsque des coups de bélier peuvent se produire. Si des coups de bélier sont possibles, vous devez installer un dispositif anti-coup de bélier. Si vous ne savez pas comment vérifier cela, contactez un professionnel de la plomberie.
- ▶ N'installez pas le filtre sur des conduites d'arrivée d'eau chaude. La température maximale de fonctionnement de ce système de filtration est de 38 °C.
- ▶ Protégez le filtre de la congélation. Vidangez le filtre lorsque la température baisse en dessous de 0,6 °C.
- ▶ Changez la cartouche filtrante jetable tous les six mois ou plus tôt si vous observez une réduction notable du débit d'eau.
- ▶ Le non-remplacement de la cartouche filtrante jetable à intervalles recommandés peut entraîner une réduction des performances et des fissures dans le boîtier du filtre, causant des fuites ou des dégâts des eaux.
- ▶ Ce système a été testé selon les normes NSF/ANSI 42, 53, 401 et P473 afin de réduire les substances énumérées ci-dessous. La concentration des substances indiquées dans l'eau pénétrant dans le système a été réduite à une concentration inférieure ou égale à la limite admissible pour l'eau quittant le système, conformément aux spécifications des normes NSF/ANSI 42, 53, 401 et P473.



Vous pouvez résoudre de nombreux problèmes vous-même sans expertise spécifique. En cas de problème, veuillez vérifier toutes les possibilités indiquées et suivre les instructions ci-dessous avant de contacter un service clientèle. Reportez-vous au paragraphe SERVICE CLIENTÈLE.



AVERTISSEMENT !

- ▶ Avant l'entretien, désactivez l'appareil et débranchez la fiche secteur de la prise secteur.
- ▶ L'équipement électrique ne doit être entretenu que par des experts en électricité qualifiés, car des réparations inappropriées peuvent causer des dommages consécutifs considérables.
- ▶ Une alimentation endommagée ne devrait être remplacée que par le fabricant, son agent de maintenance ou des personnes avec une qualification similaire de manière à éviter tout danger.

Problème	Cause possible	Solution possible
Le compresseur ne fonctionne pas.	<ul style="list-style-type: none"> • La fiche secteur n'est pas branchée dans la prise secteur. • L'appareil est en cours de dégivrage 	<ul style="list-style-type: none"> • Branchez la fiche secteur. • C'est normal pour un dégivrage automatique
L'appareil fonctionne fréquemment ou fonctionne trop longtemps.	<ul style="list-style-type: none"> • La température intérieure ou extérieure est trop élevée. • L'appareil a été hors tension pendant un certain temps. • Une porte de l'appareil n'est pas bien fermée. • La porte a été ouverte trop fréquemment ou trop longtemps. • Le réglage de la température du compartiment congélateur est trop bas. • Le joint de la porte est sale, usé, fissuré ou ne correspond pas. • La circulation de l'air requise n'est pas garantie. 	<ul style="list-style-type: none"> • Dans ce cas, il est normal que l'appareil fonctionne plus longtemps. • Normalement, il faut 8 à 12 heures pour que l'appareil refroidisse complètement. • Fermez la porte/le tiroir et assurez-vous que l'appareil est situé sur un sol à niveau et qu'il n'y a pas d'aliment ou de récipient bloquant la porte. • N'ouvrez pas trop souvent la porte/le tiroir. • Réglez une température plus élevée jusqu'à l'obtention d'une température satisfaisante dans le réfrigérateur. Il faut 24 heures pour que la température du réfrigérateur devienne stable. • Nettoyez le joint de la porte/du tiroir ou faites-le remplacer par le service clientèle. • Assurez une ventilation adéquate.



Problème	Cause possible	Solution possible
L'intérieur du réfrigérateur est sale et/ou sent.	<ul style="list-style-type: none">• L'intérieur du réfrigérateur a besoin d'être nettoyé.• Des aliments à forte odeur sont conservés au réfrigérateur.	<ul style="list-style-type: none">• Nettoyez l'intérieur du réfrigérateur.• Enveloppez soigneusement les aliments.
L'appareil émet des sons anormaux.	<ul style="list-style-type: none">• L'appareil n'est pas situé sur un sol plan.• L'appareil touche un objet situé à proximité.	<ul style="list-style-type: none">• Réglez le pied pour mettre l'appareil à niveau.• Retirez les objets autour de l'appareil.
Il ne fait pas suffisamment froid à l'intérieur de l'appareil.	<ul style="list-style-type: none">• La température réglée est trop élevée. Des produits trop chauds ont été stockés.• Trop d'aliments ont été mis à l'intérieur en même temps.• Les aliments sont trop proches les uns des autres.• Une porte / un tiroir de l'appareil n'est pas bien fermé(e).• La porte / le tiroir a été ouvert(e) trop fréquemment ou trop longtemps.	<ul style="list-style-type: none">• Réinitialisez la température.• Laissez toujours refroidir les aliments avant de les mettre à l'intérieur.• Conservez toujours de petites quantités d'aliments.• Laissez de la place entre plusieurs aliments pour permettre la circulation de l'air.• Fermez la porte / le tiroir.• N'ouvrez pas trop souvent la porte/le tiroir.
Il fait trop froid à l'intérieur de l'appareil.	<ul style="list-style-type: none">• La température réglée est trop basse. La fonction Super-Frz / Super-Cool est activée ou fonctionne trop longtemps.	<ul style="list-style-type: none">• Réinitialisez la température.• Éteignez la fonction Super-Frz/Super-Cool.
Formation d'humidité à l'intérieur du compartiment réfrigérateur.	<ul style="list-style-type: none">• Le climat est trop chaud et trop humide.• Une porte / un tiroir de l'appareil n'est pas bien fermé(e).• La porte / le tiroir a été ouvert(e) trop fréquemment ou trop longtemps.• Les récipients contenant des aliments ou des liquides sont laissés ouverts.	<ul style="list-style-type: none">• Augmentez la température.• Fermez la porte / le tiroir.• N'ouvrez pas trop souvent la porte/le tiroir.• Laissez refroidir les aliments chauds à température ambiante et couvrez les aliments et les liquides.
L'humidité s'accumule sur le réfrigérateur à l'extérieur de la surface ou entre les portes / la porte et le tiroir.	<ul style="list-style-type: none">• Le climat est trop chaud et trop humide.• La porte n'est pas fermée hermétiquement. L'air froid de l'appareil et l'air chaud à l'extérieur de celui-ci se condensent.	<ul style="list-style-type: none">• C'est normal dans un climat humide et cela va changer lorsque l'humidité diminuera.• Assurez-vous que la porte / le tiroir est bien fermé(e).

Problème	Cause possible	Solution possible
Glace dure et givre dans le compartiment congélateur.	<ul style="list-style-type: none"> • Les produits n'ont pas été correctement emballés. • Une porte / un tiroir de l'appareil n'est pas bien fermé(e). • La porte / le tiroir a été ouvert(e) trop fréquemment ou trop longtemps. • Le joint de la porte / du tiroir est sale, usé, fissuré ou ne correspond pas. • Quelque chose à l'intérieur empêche la porte/le tiroir de se fermer correctement. 	<ul style="list-style-type: none"> • Emballez toujours bien les produits. • Fermez la porte / le tiroir. • N'ouvrez pas trop souvent la porte/le tiroir. • Nettoyez le joint de la porte / du tiroir ou remplacez-les par des joints neufs. • Repositionnez les clayettes, les balconnets de porte ou les récipients à l'intérieur pour permettre à la porte / au tiroir de se fermer.
Les côtés de l'appareil et de la bande de la porte se réchauffent.	<ul style="list-style-type: none"> • - 	<ul style="list-style-type: none"> • Cela est normal.
L'appareil émet des sons anormaux.	<ul style="list-style-type: none"> • L'appareil n'est pas situé sur un sol plan. • L'appareil touche un objet situé à proximité. 	<ul style="list-style-type: none"> • Réglez le pied pour mettre l'appareil à niveau. • Retirez les objets autour de l'appareil.
Un léger son doit être entendu comme celui de l'eau courante.	<ul style="list-style-type: none"> • - 	<ul style="list-style-type: none"> • Cela est normal.
Un bip d'alarme retentit.	<ul style="list-style-type: none"> • La porte du compartiment de rangement du réfrigérateur est ouverte. 	<ul style="list-style-type: none"> • Fermez la porte.
Vous entendrez un petit hum.	<ul style="list-style-type: none"> • Le système anti-condensation fonctionne. 	<ul style="list-style-type: none"> • Cela empêche la condensation et est normal.
Le système d'éclairage ou de refroidissement à l'intérieur ne fonctionne pas.	<ul style="list-style-type: none"> • La fiche secteur n'est pas branchée dans la prise secteur. • L'alimentation n'est pas intacte. • La lampe LED est hors service. 	<ul style="list-style-type: none"> • Branchez la fiche secteur. • Vérifiez l'alimentation électrique de la pièce. Appelez la société d'électricité locale ! • Veuillez appeler le service technique pour faire changer la lampe.
De l'eau fuit ou goutte du bec du distributeur d'eau.	<ul style="list-style-type: none"> • Le réservoir d'eau n'est pas installé correctement • Le bec du distributeur d'eau n'est pas vissé à fond au réservoir. • Le joint torique en silicone blanc n'est pas installé sur le bec verseur d'eau. 	<ul style="list-style-type: none"> • Remplacez le réservoir d'eau dans la porte du réfrigérateur, assurez-vous qu'il est complètement enfoncé dans la porte. • Le bec verseur d'eau est vissé à fond sur le réservoir d'eau. • Vérifiez que le bec verseur d'eau est muni d'un joint torique en silicone blanc à l'extrémité du réservoir avant d'installer le bec verseur sur le réservoir d'eau.



Pour contacter l'assistance technique, visitez notre site web : <https://corporate.haier-europe.com/en/>

Dans la rubrique « site web », choisissez la marque de votre produit et votre pays. Vous serez redirigé vers le site web spécifique où vous trouverez le numéro de téléphone et le formulaire pour contacter l'assistance technique.

Coupure de courant

En cas de coupure de courant, les aliments devraient rester froids en toute sécurité pendant 5 heures environ. Suivez ces conseils pendant une coupure de courant prolongée, en particulier en été :

- ▶ Ouvrez la porte / le tiroir le moins possible.
- ▶ Ne mettez pas d'aliments supplémentaires dans l'appareil pendant une coupure de courant.
- ▶ Si un préavis de coupure de courant est donné et que la durée de la coupure est supérieure à 5 heures, préparez des glaçons et placez-les dans un récipient en haut du compartiment réfrigérateur.
- ▶ Une inspection des produits est requise immédiatement après la coupure de courant.
- ▶ Étant donné que la température du réfrigérateur augmentera lors d'une coupure de courant ou d'une autre panne, la durée de conservation et la qualité alimentaire des aliments seront réduites. Tout aliment décongelé doit être consommé ou cuit et recongelé (le cas échéant) peu de temps après afin de prévenir les risques pour la santé.



REMARQUE : Fonction mémoire pendant la coupure de courant

Lorsque le courant revient, l'appareil continue à fonctionner avec les réglages réglés avant la panne de courant.

Déballage



AVERTISSEMENT !

- ▶ L'appareil est lourd. Manipulez-le toujours avec au moins deux personnes.
- ▶ Conservez tous les emballages hors de la portée des enfants, puis jetez-les d'une manière respectueuse de l'environnement.
- ▶ Sortez l'appareil de l'emballage.
- ▶ Retirez tous les matériaux d'emballage.

Conditions environnementales

La température ambiante doit toujours être comprise entre 10 °C et 43 °C, car elle peut influencer la température à l'intérieur de l'appareil et sa consommation d'énergie. N'installez pas l'appareil à proximité d'autres appareils générant de la chaleur (fours, réfrigérateurs) sans isolation.

- Tempéré étendu (SN) : cet appareil de réfrigération est destiné à être utilisé à des températures ambiantes allant de 10 °C à 32 °C.
- Tempéré (N) : cet appareil de réfrigération est destiné à être utilisé à des températures ambiantes allant de 16 °C à 32 °C.
- Subtropical (ST) : « cet appareil de réfrigération est destiné à être utilisé à des températures ambiantes allant de 16 °C à 38 °C.

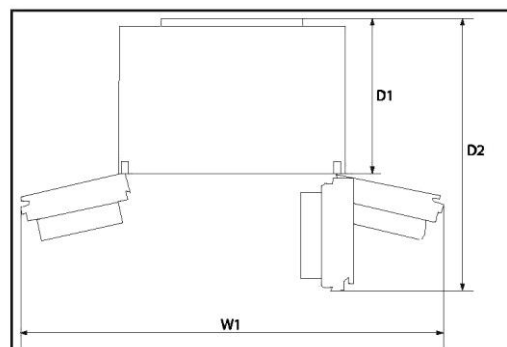
Espace requis

Espace requis lorsque la porte est ouverte :

L1 = 157,8 cm

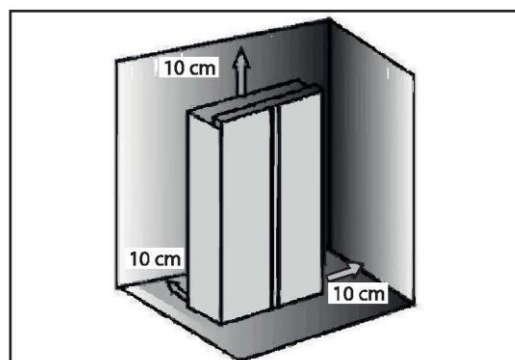
P1 = 62,9 cm

P2 = 117,3 cm



Coupe transversale de ventilation

Pour obtenir une ventilation suffisante de l'appareil pour des raisons de sécurité, il convient de respecter les informations relatives aux coupes transversales de ventilation requises.

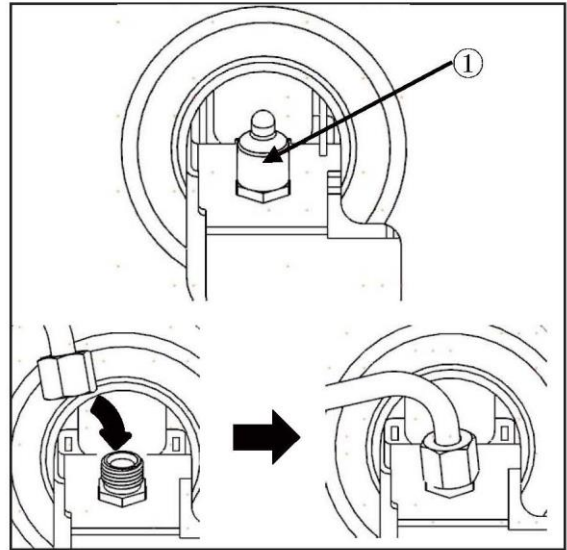


REMARQUE

Pour un appareil en pose libre : cet appareil de réfrigération n'est pas destiné à être utilisé comme un appareil encastré.

Raccordement de l'eau à l'appareil

1. Retirez le bouchon en caoutchouc (1) de la vanne d'arrivée d'eau.

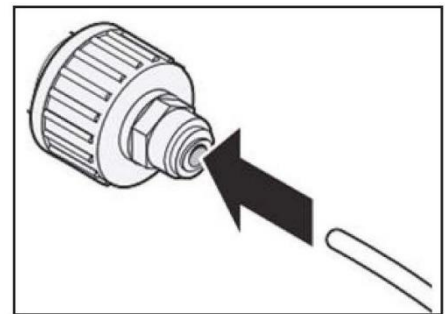


2. Poussez fermement le tube d'eau sur la vanne d'arrivée d'eau et serrez l'écrou à collet. Cette conduite d'eau doit être coupée au milieu et utilisée, et l'autre section servira de pièce de rechange.

Raccordement au robinet d'eau

Cette fonction n'est disponible que sur certains modèles.

1. Poussez le tube d'eau dans le trou du raccord de robinet fourni dans les accessoires. Le tuyau doit être maintenu fermement pendant que le raccord est enfoncé sur le tuyau.
 2. Assurez-vous que la rondelle en caoutchouc est fixée à l'intérieur du raccord de robinet avant de visser le tout sur le robinet.
- ▶ Vous devrez peut-être acheter un connecteur ou un adaptateur séparé si votre robinet ne correspond pas à la taille du filetage du connecteur fourni.



Vérification du raccordement d'eau

Cette fonction n'est disponible que sur certains modèles.

- ▶ Mettez en marche l'alimentation en eau et mettez l'appareil sous tension. Vérifiez soigneusement tous les raccords pour déceler des fuites éventuelles dues à des tuyaux mal installés.
- ▶ Appuyez et maintenez la touche 3Sec. Filter Reset enfoncée pendant trois secondes. Le nouveau filtre à eau a été activé.
- ▶ Placez une tasse sous le distributeur d'eau pour vérifier que de l'eau circule dans l'appareil.
- ▶ Vérifiez à nouveau le tube de raccordement et les joints d'étanchéité.



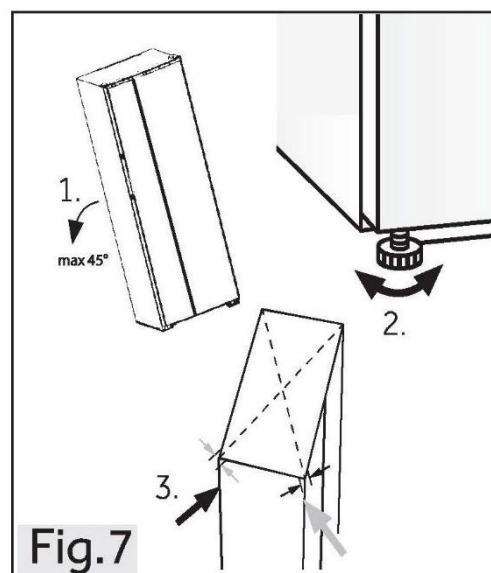
AVERTISSEMENT !

- ▶ Assurez-vous toujours que les raccordements sont bien serrés, secs et sans fuite.
- ▶ Assurez-vous que le tuyau n'est jamais écrasé, plié ou tordu.

Alignement de l'appareil

L'appareil doit être placé sur une surface plane et solide.

1. Inclinez légèrement l'appareil vers l'arrière (Fig. 7).
2. Réglez les pieds au niveau souhaité. Veillez à ce que la distance au mur du côté des charnières soit d'au moins 10 cm.
3. La stabilité peut être vérifiée en alternant les diagonales. Le léger flottement doit être le même dans les deux directions. Dans le cas contraire, le cadre peut se déformer ; cela se traduit par des fuites au niveau des joints de la porte. Une faible tendance vers l'arrière facilite la fermeture des portes.

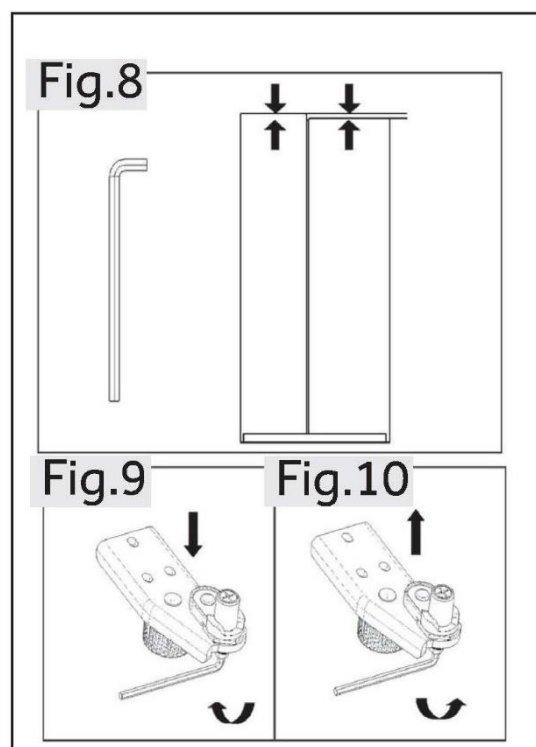


Réglage fin des portes

Si les portes ne sont toujours pas au même niveau après avoir été mises à niveau par les pieds, il est possible de remédier à ce décalage en tournant l'arbre de levage de la charnière dans le coin inférieur droit de la porte réfrigérante à l'aide d'une clé (Fig. 8).

Tournez l'arbre de levage dans le sens des aiguilles d'une montre avec une clé pour abaisser la hauteur de la porte (Fig. 9).

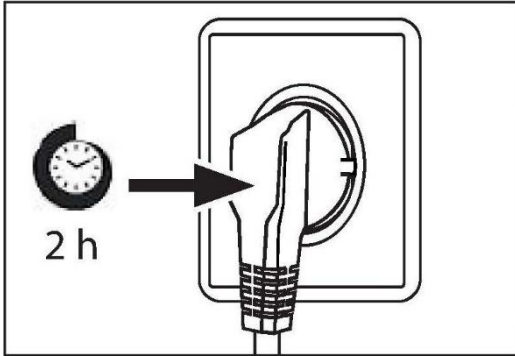
Déverrouillez la porte en tournant l'arbre de levage à l'aide d'une clé pour régler la hauteur de la porte (Fig. 10).





AVERTISSEMENT !

Ne réglez pas l'arbre de levage à une hauteur excessive qui pourrait faire sortir l'arbre de sa position verrouillée d'origine (plage de réglage en hauteur : 3 mm).



Temps d'attente

L'huile de lubrification sans entretien se trouve dans la capsule du compresseur. Cette huile peut passer par le système fermé de tuyauterie pendant le transport incliné. Avant de brancher l'appareil sur l'alimentation électrique, attendez au moins 2 heures afin que l'huile revienne dans la capsule.

Branchement électrique

Avant chaque branchement, vérifiez si :

- ▶ l'alimentation, la prise et le fusible sont adaptés à la plaque signalétique.
- ▶ la prise de courant est mise à la terre et sans multiprise ni rallonge.
- ▶ la fiche d'alimentation et la prise sont adaptées l'une à l'autre.

Branchez la fiche sur une prise domestique correctement installée.



AVERTISSEMENT !

Pour éviter tout risque, un câble d'alimentation endommagé doit être remplacé par le service à la clientèle (voir carte de garantie).

Démontage et installation des portes

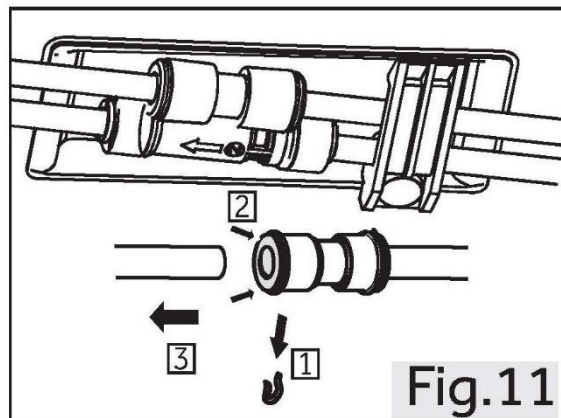
Si vous devez retirer les portes de l'appareil, veuillez suivre les instructions de retrait et d'installation des portes ci-dessous.



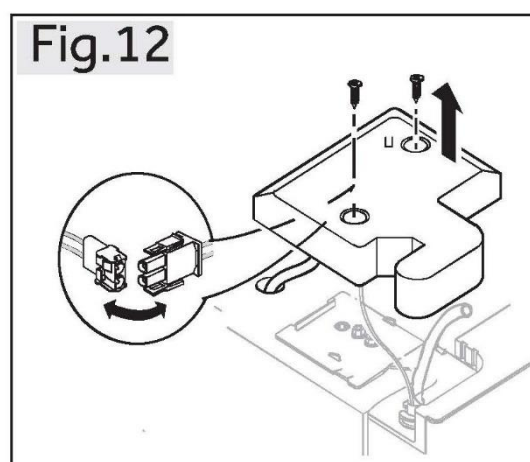
AVERTISSEMENT !

- ▶ Avant toute opération, désactivez l'appareil et débranchez la fiche secteur de la prise secteur.
- ▶ Fermez l'arrivée d'eau.
- ▶ L'appareil est lourd. Manipulez-le toujours avec au moins deux personnes.
- ▶ N'inclinez pas l'appareil à plus de 45° et ne le posez pas à l'horizontale sur le sol.
- ▶ La porte peut tomber et blesser des personnes, ou être endommagée pendant ces étapes, veuillez faire plus attention lors du déplacement et de l'installation des portes.

1. Libérez le côté gauche des deux raccordements d'eau situés dans le coin avant gauche au bas de l'appareil : appuyez et maintenez le collier comme indiqué et retirez le tuyau d'eau. (Fig. 11).



2. Dévissez la vis du couvercle de la charnière et retirez le couvercle (Fig. 12). Lorsque vous retirez la porte du congélateur, débranchez tous les fils, à l'exception du fil de mise à la terre.

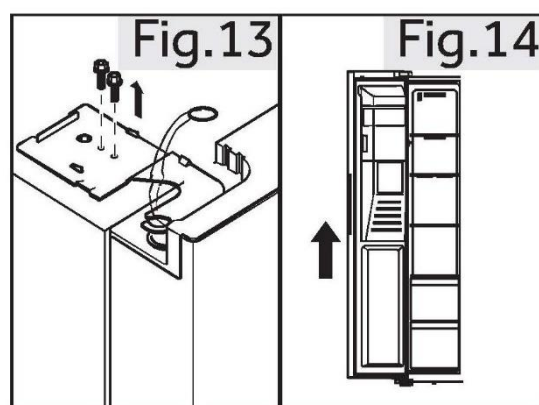


3. Défaites les vis qui maintiennent la charnière supérieure en position, puis retirez la charnière (Fig. 13).

4. Soulevez la porte pour la retirer (Fig. 14). Lorsque vous retirez la porte du congélateur, soulevez-la suffisamment pour pouvoir retirer le raccord d'eau du bas de l'appareil.

5. Remettez la porte en place en inversant les étapes de la dépose. Assurez-vous que le câble de mise à la terre sera fixé par la vis.

6. Remettez le raccord d'eau en place.



REMARQUE : Porte du réfrigérateur

Les illustrations montrent le démontage de la porte du compartiment congélateur. Pour la porte du réfrigérateur, utilisez les pièces correspondantes de l'autre côté.



Fiche du produit selon la réglementation UE n° 2019/2016

Marque	Haier
Nom du modèle / identifiant	HSW59F18DIMM HSW79F18DIPT
Catégorie du modèle	Réfrigérateur- congélateur
Classe d'efficacité énergétique	D
Consommation d'énergie annuelle (kWh/an) ⁽¹⁾	267
Volume total (l)	601
Volume du réfrigérateur (l)	391
Volume du congélateur (L)	210
Nombre d'étoiles	
Température des autres compartiments > 14 °C	Non applicable
Système sans givre	Oui
Capacité de congélation (kg/24h)	10
Classe climatique ⁽²⁾	SN-N-ST
Classe d'émission de bruit et émissions acoustiques dans l'air (db(A) re 1pW)	C(36)
Temps de montée en température (h)	5
Capacité de fabrication de glaçons	0,8 kg /24h
Type d'appareil	Autonome



Explications :

- Oui, fonction présente

- (1) Sur la base des résultats de l'essai de conformité aux normes pendant plus de 24 heures. La consommation réelle dépend de l'utilisation et de l'emplacement de l'appareil.
- (2) Classe climatique SN : cet appareil est destiné à être utilisé à une température ambiante comprise entre +10 °C et +32 °C
 Classe climatique N : cet appareil est destiné à être utilisé à une température ambiante comprise entre +16 °C et +32 °C
 Classe climatique ST : cet appareil est destiné à être utilisé à une température ambiante comprise entre +16 °C et +38 °C

Données techniques supplémentaires

Tension / Fréquence	220-240 V ~/50 Hz
Courant d'entrée (A)	1,8
Puissance de dégivrage (W)	220
Fusible principal (A)	15
Réfrigérant	R600a
Dimensions (H/L/P en mm)	1775/905/726



Nous recommandons notre service clientèle Haier et l'utilisation de pièces détachées d'origine. Si vous rencontrez un problème avec votre appareil, veuillez d'abord consulter le paragraphe DÉPANNAGE.

Si vous ne trouvez pas de solution, veuillez contacter

- ▶ votre revendeur local ou
- ▶ notre centre de service d'appel européen (voir les numéros de téléphone ci-dessous) ou
- ▶ l'espace Service & Assistance à l'adresse www.haier.com où vous pouvez activer la demande
- ▶ de service et trouver également les FAQ.

Pour contacter notre Service, assurez-vous que vous disposez des données suivantes. Les informations se trouvent sur la plaque signalétique.

Modèle _____

N° de série _____

Vérifiez également la carte de garantie fournie avec le produit en cas de garantie.

Centre de service d'appel européen		
Pays*	Numéro de téléphone	Coûts
Haier Italy (IT)	199 100912	
Haier Spain (ES)	902 509 123	
Haier Germany (DE)	0180539 39 99	<ul style="list-style-type: none">• 14 centimes/min ligne fixe• max 42 centimes/min mobile
Haier Austria (AT)	0820 001 205	<ul style="list-style-type: none">• 14,53 centimes/min ligne fixe• max 20 centimes/min pour tous les autres
Haier United Kingdom (UK)	0333 003 8122	
Haier France (FR)	0980 406 409	



Service clientèle

* Pour d'autres pays, veuillez vous référer à www.haier.com

Haier Europe Trading S.r.l

Filiale Royaume-Uni

Westgate House, Westgate, Ealing

Londres, W5 1YY

*Durée de la garantie de l'appareil de réfrigération :

La garantie minimale est : 2 ans pour les pays de l'UE, 3 ans pour la Turquie, 1 an pour le Royaume-Uni, 1 an pour la Russie, 3 ans pour la Suède, 2 ans pour la Serbie, 5 ans pour la Norvège, 1 an pour le Maroc, 6 mois pour l'Algérie, aucune garantie légale pour la Tunisie.

*La période des pièces détachées pour la réparation de l'appareil :

Les thermostats, les capteurs de température, les circuits imprimés et les sources de lumière sont disponibles pendant une période minimale de sept ans après la mise sur le marché de la dernière unité du modèle.

Poignées de porte, charnières de porte, bacs et paniers pendant une période minimale de sept ans et joints de porte pendant une période minimale de 10 ans, après la mise sur le marché de la dernière unité du modèle.

*Pour plus d'informations sur le produit, consultez <https://eprel.ec.europa.eu/> ou scannez le code QR sur l'étiquette énergétique fournie avec l'appareil.



Informazioni per la sicurezza	182
Uso previsto.....	187
Descrizione del prodotto.....	188
Pannello di controllo.....	189
Utilizzo.....	190
Dotazioni	203
Cura e pulizia.....	205
Soluzione dei problemi.....	210
Installazione	214
Dati tecnici.....	219
Assistenza clienti.....	221



Grazie



Grazie per aver acquistato un prodotto Haier.

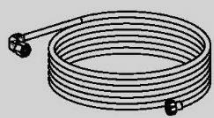
Leggere attentamente queste istruzioni prima di utilizzare l'elettrodomestico. Le istruzioni contengono informazioni importanti per ottimizzare l'uso dell'elettrodomestico e garantire l'installazione, l'uso e la manutenzione sicuri e corretti.

Conservare il presente manuale in un luogo comodo, in modo da poterlo sempre consultare per un uso sicuro e corretto dell'elettrodomestico.

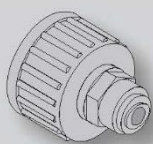
Se l'elettrodomestico viene venduto, ceduto o abbandonato in caso di trasloco, trasferire anche il presente manuale in modo che il nuovo proprietario possa comprendere l'uso dell'elettrodomestico e delle avvertenze di sicurezza.

Accessori

Controllare gli accessori e la documentazione in base al seguente elenco:



*Tubo dell'acqua



*Connettore dell'acqua



Etichetta energetica



Scheda della garanzia



Guida rapida



AVVERTENZA - Informazioni importanti per la sicurezza



AVVISO - Informazioni generali e consigli



Informazioni ambientali



Smaltimento

Contribuire a proteggere l'ambiente e la salute umana. Collocare l'imballo in appositi contenitori affinché venga riciclato. Contribuire al riciclo dei rifiuti delle apparecchiature elettriche ed elettroniche. Non smaltire gli elettrodomestici contrassegnati con questo simbolo assieme ai rifiuti domestici. Conferire il prodotto presso la struttura di riciclo locale o rivolgersi all'ufficio comunale preposto.



AVVERTENZA!

Pericolo di lesioni o soffocamento!

I refrigeranti e i gas devono essere smaltiti in maniera professionale. Accertarsi che la tubazione del circuito del refrigerante non sia danneggiata prima di smaltirla correttamente. Scollegare l'elettrodomestico dalla rete elettrica. Tagliare il cavo di alimentazione e smaltirlo. Rimuovere vassoi e cassette, fermaporte e guarnizioni, per evitare che bambini e animali domestici rimangano chiusi nell'elettrodomestico.



Prima di accendere l'elettrodomestico per la prima volta, leggere i seguenti consigli sulla sicurezza:



AVVERTENZA!

Operazioni preliminari al primo utilizzo

- ▶ Accertarsi dell'assenza di danni dovuti al trasporto.
- ▶ Rimuovere tutti gli elementi di imballo e tenerli fuori dalla portata dei bambini.
- ▶ Per garantire la totale efficienza del circuito del refrigerante, attendere almeno due ore prima di installare l'elettrodomestico.
- ▶ L'elettrodomestico deve essere maneggiato sempre da almeno due persone perché è pesante.

Installazione

- ▶ Installare l'elettrodomestico in un luogo asciutto e ben ventilato. Lasciare uno spazio libero di almeno 10 cm sopra e attorno all'elettrodomestico.
- ▶ Non collocare mai l'elettrodomestico in zone umide o soggette a schizzi d'acqua. Pulire e asciugare schizzi e macchie d'acqua con un panno morbido e pulito.
- ▶ Non installare l'elettrodomestico esposto alla luce diretta del sole o in prossimità di fonti di calore (ad es. stufe o radiatori).
- ▶ Installare l'elettrodomestico a livello in un'area adatta alle dimensioni e all'uso.
- ▶ Le aperture di ventilazione nell'elettrodomestico o nella struttura a incasso devono rimanere sempre libere.
- ▶ Accertarsi che i dati elettrici sulla targhetta siano conformi all'alimentazione elettrica. In caso contrario, rivolgersi a un elettricista.
- ▶ L'elettrodomestico funziona con corrente elettrica 220-240 Vca / 50 Hz. Oscillazioni anomale della tensione possono causare il mancato avvio dell'elettrodomestico, danni al controllo della temperatura o al compressore oppure rumori anomali durante il funzionamento. In tal caso, è opportuno montare un regolatore automatico.
- ▶ Non adoperare prese multiple o cavi di prolunga.
- ▶ Non collocare prese multiple o alimentatori portatili nella parte posteriore dell'elettrodomestico.
- ▶ Accertarsi che il cavo di alimentazione non sia intrappolato dal frigorifero. Non calpestare il cavo di alimentazione.



AVVERTENZA!

- ▶ Per l'alimentazione elettrica utilizzare una presa separata collegata a terra e facilmente accessibile. L'elettrodomestico deve essere collegato a terra.
Solo per il Regno Unito: il cavo di alimentazione dell'elettrodomestico è dotato di una spina a 3 conduttori (collegata a terra) adatta a una presa standard a 3 conduttori (collegata a terra). Non tagliare né smontare mai il terzo conduttore (collegamento a terra). Dopo l'installazione dell'elettrodomestico, la spina deve essere accessibile.
- ▶ non danneggiare il circuito di refrigerazione.

Utilizzo quotidiano

- ▶ Questo elettrodomestico può essere utilizzato da bambini di almeno 8 anni, da persone con ridotte capacità fisiche, sensoriali o mentali e da persone inesperte solo sotto stretta sorveglianza o se hanno appreso le modalità di utilizzo sicuro dell'elettrodomestico e sono consapevoli dei relativi pericoli.
- ▶ I bambini di età da 3 a 8 anni possono riempire e svuotare gli elettrodomestici refrigeranti, ma non devono pulirli o installarli.
- ▶ Tenere lontano dall'elettrodomestico i bambini di età inferiore a 3 anni, a meno che non siano costantemente sorvegliati.
- ▶ Impedire ai bambini di giocare con l'elettrodomestico.
- ▶ In caso di perdite di gas refrigerante o altri gas infiammabili in prossimità dell'elettrodomestico, chiudere la valvola del gas che fuoriesce, aprire porte e finestre e non staccare la spina del cavo di alimentazione del frigorifero o di altri elettrodomestici.
- ▶ Si noti che l'elettrodomestico è impostato per il funzionamento in un intervallo ambiente specifico compreso tra 10 e 38 °C. L'elettrodomestico potrebbe non funzionare correttamente se lasciato per un lungo periodo a una temperatura superiore o inferiore all'intervallo indicato.
- ▶ Non collocare elementi instabili (oggetti pesanti, contenitori pieni d'acqua) sopra il frigorifero, per evitare lesioni personali dovute a cadute o scosse elettriche causate dal contatto con l'acqua.
- ▶ Non caricare eccessivamente gli scaffali dello sportello. Lo sportello potrebbe deformarsi, il portabottiglie potrebbe fuoriuscire o l'elettrodomestico potrebbe rovesciarsi.
- ▶ Aprire e chiudere gli sportelli solo adoperando le maniglie. La distanza tra gli sportelli e tra gli sportelli e il vano è molto limitata. Non allungare le mani in queste zone per evitare che le dita rimangano intrappolate. Aprire o chiudere gli sportelli del frigorifero solo quando non ci sono bambini nel raggio di movimento degli sportelli.



AVVERTENZA!

- ▶ Non conservare né utilizzare materiali esplosivi o corrosivi nell'elettrodomestico o nelle vicinanze.
- ▶ Non conservare medicinali, batteri o sostanze chimiche nell'elettrodomestico. Questo apparecchio è un elettrodomestico. Si sconsiglia di conservare materiali che richiedono temperature rigide.
- ▶ Non riporre liquidi in bottiglie o lattine (né spirito ad elevata gradazione), specialmente bevande gassate, nel congelatore, perché durante il congelamento potrebbero scoppiare.
- ▶ Se la temperatura del congelatore è aumentata, controllare lo stato degli alimenti.
- ▶ Non impostare una temperatura inutilmente bassa nel vano frigorifero. Con impostazioni elevate possono crearsi temperature sotto zero. Attenzione: le bottiglie possono scoppiare.
- ▶ Non toccare i prodotti congelati con le mani bagnate (indossare i guanti). In particolare, non mangiare i ghiaccioli subito dopo averli tolti dal vano congelatore. In caso contrario, potrebbe congelarsi la bocca e potrebbero formarsi vesciche da gelo. PRONTO SOCCORSO: collocare immediatamente la zona congelata sotto l'acqua fredda corrente. Non strappare la zona congelata!
- ▶ Non toccare la superficie interna del comparto congelatore durante il funzionamento, soprattutto con le mani bagnate, poiché le mani potrebbero congelarsi sulla superficie.
- ▶ In caso di blackout o prima della pulizia, scollegare l'elettrodomestico. Attendere almeno 7 minuti prima di riavviare l'elettrodomestico, poiché un avvio frequente può danneggiare il compressore.
- ▶ Non adoperare dispositivi elettrici all'interno dei comparti dell'elettrodomestico destinati alla conservazione degli alimenti, a meno che non siano del tipo consigliato dal produttore. Manutenzione / pulizia
- ▶ Accertarsi che i bambini siano sorvegliati se effettuano la pulizia e la manutenzione.
- ▶ Scollegare l'elettrodomestico dalla rete elettrica prima di effettuare operazioni di manutenzione ordinaria. Attendere almeno 5 minuti prima di riavviare l'elettrodomestico, poiché un avvio frequente può danneggiare il compressore.

AVVERTENZA!

- ▶ Quando si scollega l'elettrodomestico, mantenere la spina e non il cavo.
- ▶ Non pulire l'elettrodomestico con spazzole rigide, spazzole metalliche, detersivi in polvere, benzina, acetato di pentile, acetone e soluzioni organiche simili, soluzioni acide o alcaline. Per la pulizia adoperare un detergente speciale per frigoriferi per evitare danni.
- ▶ Non raschiare via ghiaccio e brina con oggetti appuntiti. Non adoperare spray, riscaldatori elettrici (ad es. asciugacapelli) o altre fonti di calore per evitare danni ai componenti in plastica.
- ▶ Non usare oggetti meccanici o utensili diversi da quelli consigliati dal produttore per accelerare lo sbrinamento.
- ▶ Se il cavo di alimentazione è danneggiato, deve essere sostituito dal produttore, da un tecnico dell'assistenza o da una persona con analogo qualifica per evitare rischi.
- ▶ Non tentare di riparare, smontare o modificare personalmente l'elettrodomestico. Per le riparazioni rivolgersi all'assistenza clienti.
- ▶ Eliminare la polvere sul retro dell'unità almeno una volta all'anno per scongiurare il rischio di incendio e limitare i consumi energetici.
- ▶ Non spruzzare o schizzare liquidi sull'elettrodomestico durante la pulizia.
- ▶ Per pulire questo elettrodomestico non utilizzare apparecchi a vapore.
- ▶ Non pulire i ripiani di vetro freddi con acqua calda. Un'improvvisa variazione della temperatura può causare la rottura del vetro.

Informazioni sul gas refrigerante

AVVERTENZA!

L'elettrodomestico contiene il refrigerante infiammabile ISOBUTANO (R600a). Accertarsi che il circuito del refrigerante non abbia subito danni durante il trasporto o l'installazione. Eventuali perdite di refrigerante possono causare lesioni oculari o incendi. In caso di danni, tenere lontane fonti di fiamme libere, ventilare perfettamente l'ambiente, non collegare o scollegare i cavi di alimentazione dell'elettrodomestico o di altri elettrodomestici. Informare l'assistenza clienti.

In caso di contatto con gli occhi, sciacquare immediatamente con acqua corrente e rivolgersi immediatamente a un oculista.



Uso previsto

Questo elettrodomestico è destinato al raffreddamento e al congelamento di alimenti. È stato progettato esclusivamente per l'uso in applicazioni domestiche e simili, ad es. zone cucina del personale in negozi, uffici e altri ambienti di lavoro; in fattorie, da clienti in hotel, motel e altri ambienti di tipo residenziale, nonché in bed-and-breakfast e attività di ristorazione. Non è destinato ad usi commerciali o industriali.

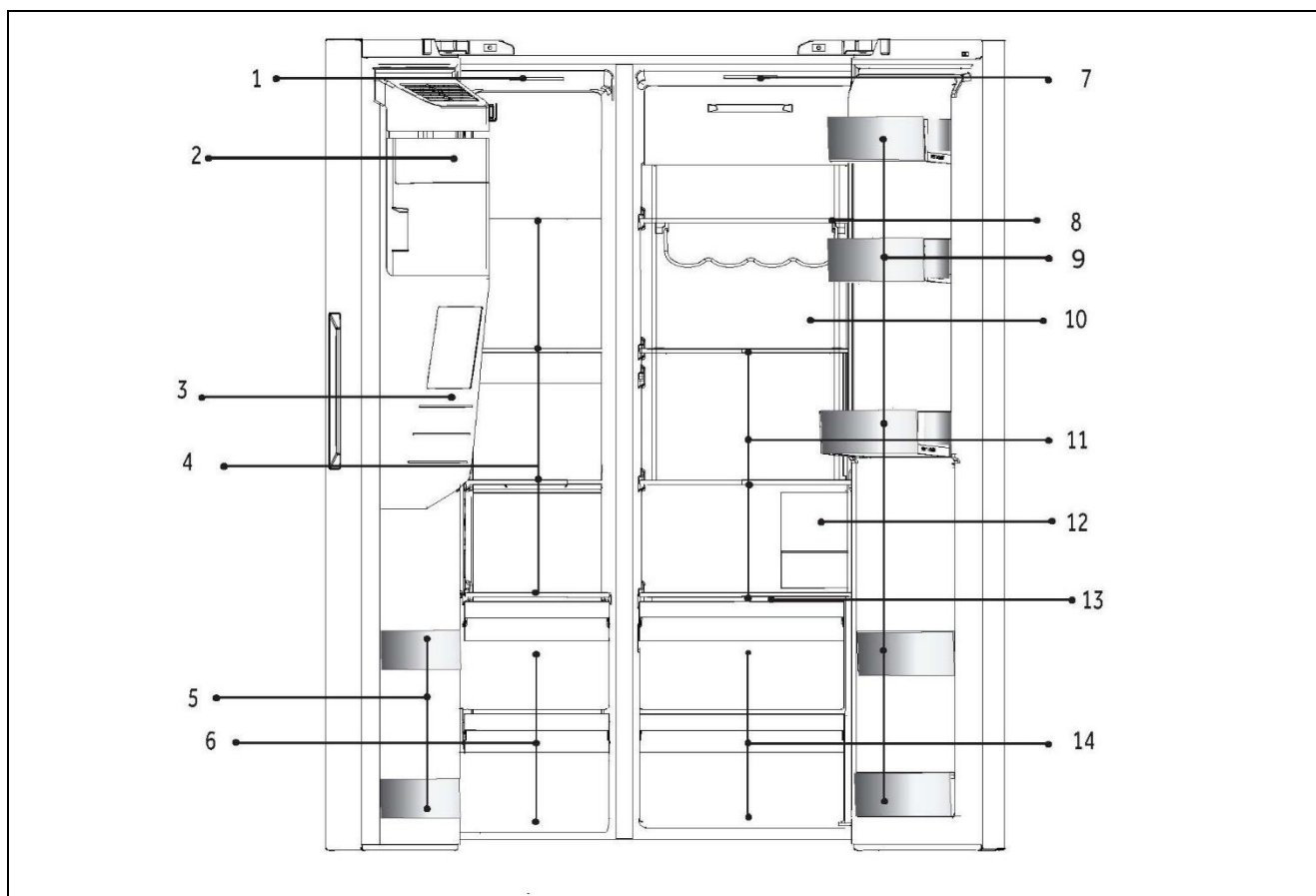
Non sono consentiti cambiamenti o modifiche all'elettrodomestico. Utilizzi errati possono causare pericoli e annullare la garanzia.

Norme e direttive e

Questo prodotto è conforme ai requisiti di tutte le direttive CE vigenti con le corrispondenti norme armonizzate e le norme del Regno Unito che prevedono il marchio CE e UKCA.

i Avviso

A causa di modifiche tecniche e della varietà dei modelli, alcune illustrazioni riportate nel presente manuale possono essere diverse dall'aspetto reale del modello acquistato.



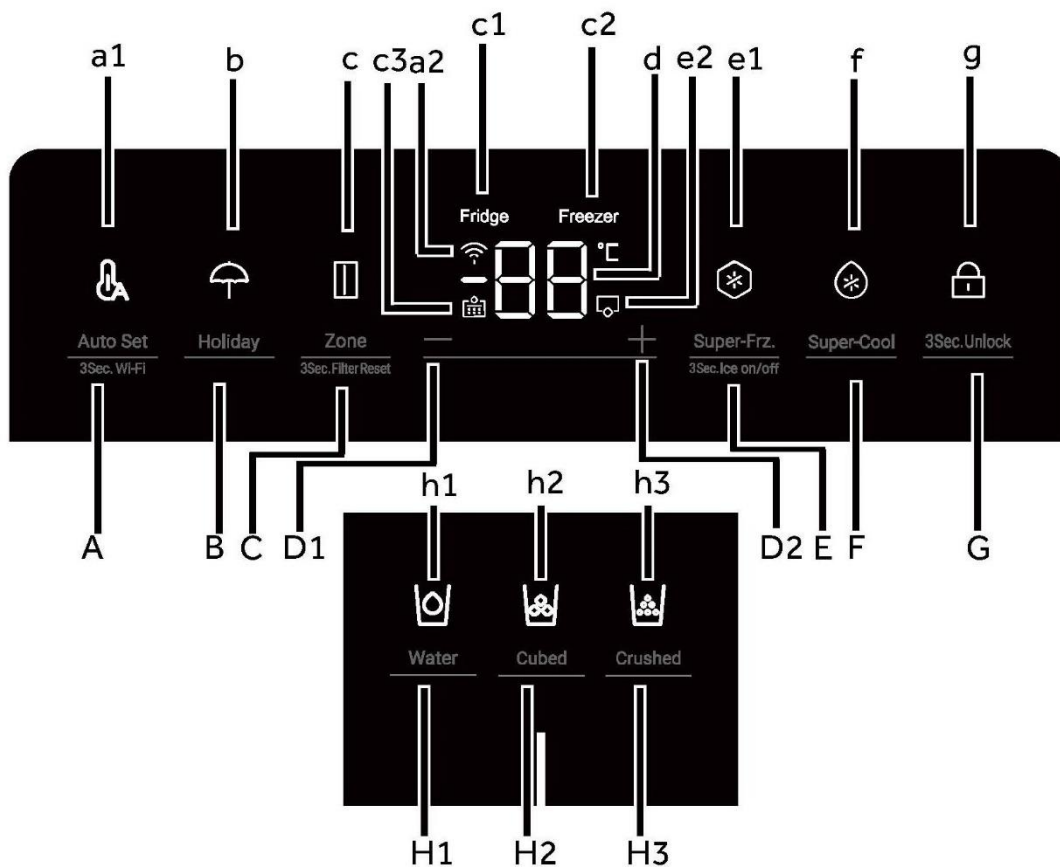
A: Scomparto congelatore

B: Comparto frigorifero

- 1 Lampada da soffitto
- 2 Macchina per il ghiaccio con contenitore per il ghiaccio
- 3 Dispenser di acqua e ghiaccio
- 4 Ripiani in vetro
- 5 Portabottiglie
- 6 Cassetti

- 7 Lampada da soffitto
- 8 Portavini
- 9 Portabottiglie
- 10 Lampada posteriore (HSW79F18DIPT)
- 11 Ripiani in vetro
- 12 Filtro dell'acqua
- 13 Piastra di copertura zona umida
- 14 Cassetti

Pannello di controllo



Pulsanti:

A Funzione Auto Set/3Sec.Wi-Fi

B Funzione Holiday

C Selezione zona/3Sec.Filter Reset

D1 Tasto di regolazione della temperatura "-"

D2 Tasto di regolazione della temperatura "+"

E Funzione Super-Freeze/Ghiaccio acceso-spenso 3 sec.

F Funzione Super-Cool

G Selettore blocco del pannello

H1 Selettore funzione Water intake

H2 Selettore funzione Cubed ice

H3 Selettore funzione Crushed ice

Indicatori:

a1 Modalità Auto Set

a2 Funzione Wi-Fi

b Modalità Holiday

c Indicatore zona

c1 Indicatore frigorifero

c2 Indicatore congelatore

c3 Funzione reset filtro

d Visualizzazione della temperatura

e1 Modalità Super-Freeze

e2 Modalità macchina per il ghiaccio

f Modalità Super-Cool

g Blocco del pannello

h1 Funzione Water intake

h2 Funzione Cubed ice

h3 Funzione Crushed ice



Operazioni preliminari al primo utilizzo

- ▶ Rimuovere tutti i materiali di imballo, tenerli fuori dalla portata dei bambini e smaltirli nel rispetto dell'ambiente.
- ▶ Pulire l'interno e l'esterno dell'elettrodomestico con acqua e un detersivo delicato prima di inserire gli alimenti.
- ▶ Dopo l'installazione a livello e la pulizia dell'elettrodomestico, attendere almeno 2-5 ore prima di collegarlo all'alimentazione elettrica. Vedere la sezione **INSTALLAZIONE**.
- ▶ Prima di caricare gli alimenti, preraffreddare i compartimenti con impostazioni elevate. La funzione Power-Freeze serve a raffreddare rapidamente i compartimenti.
- ▶ La temperatura del frigorifero e del congelatore viene impostata automaticamente a 5°C e -18°C rispettivamente. Queste impostazioni sono quelle consigliate. È possibile, tuttavia, cambiare manualmente queste temperature. Vedere **REGOLAZIONE DELLA TEMPERATURA**.

Tasti a sensore

I tasti del pannello di controllo sono di tipo a sensore che rispondono toccandoli lievemente con un dito.

Accensione e spegnimento dell'elettrodomestico

L'elettrodomestico entra in funzione non appena viene collegato all'alimentazione elettrica.

Le temperature visualizzate mostreranno le temperature impostate nel comparto.

È possibile che sia attivo il blocco del pannello.



Avviso

Quando l'elettrodomestico viene acceso dopo averlo staccato dall'alimentazione elettrica, il raggiungimento delle temperature corrette potrebbe richiedere fino a 12 ore.

Svuotare l'elettrodomestico prima di spegnerlo. Per spegnere l'elettrodomestico, staccare il cavo di alimentazione dalla presa di corrente.



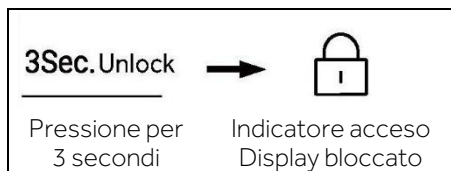
AVVISO

Alla prima accensione del frigorifero, l'indicatore si accende. La temperatura del frigorifero e del congelatore viene impostata automaticamente a 5 °C e -18 °C rispettivamente.

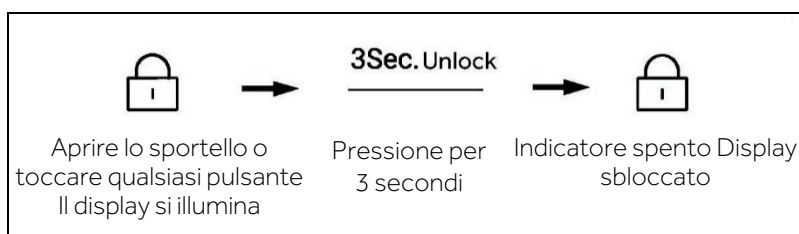


Blocco e sblocco del pannello

1. Blocco automatico: quando lo sportello del frigorifero e lo sportello del congelatore sono chiusi e non viene eseguita alcuna operazione con i tasti entro 30 secondi, il display si spegne e si blocca automaticamente



2. Blocco manuale: quando lo schermo del display è sbloccato, premere il tasto "G" (selettore blocco pannello) e tenerlo premuto per 3 secondi, il segnalatore acustico suona una volta, l'indicatore "g" (blocco pannello) si accende e il display si blocca.



Regolazione della temperatura

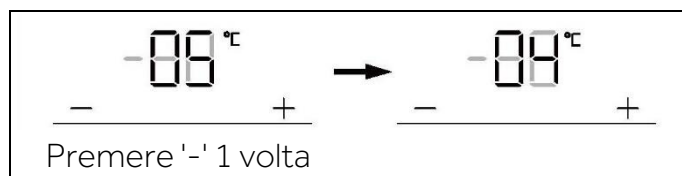
Le temperature interne dipendono dai seguenti fattori:

- ▶ Temperatura ambiente
- ▶ Frequenza di apertura dello sportello
- ▶ Quantità di alimenti conservati
- ▶ Installazione dell'elettrodomestico

Regolazione della temperatura del frigorifero

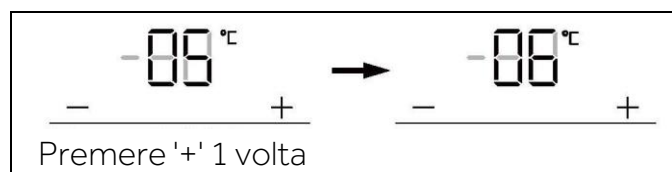
1. Quando lo schermo del display è sbloccato, premere il tasto "C" (selettore zona). Il segnale acustico viene emesso una volta, l'indicatore "c1" (Indicatore frigorifero) lampeggia, quindi si arriva alla modalità di impostazione della temperatura del frigorifero.

2. Premere ogni volta il tasto "D1" (tasto di regolazione della temperatura "-"), viene emesso un segnale acustico, la temperatura impostata del frigorifero si riduce di 1. La temperatura del frigorifero verrà visualizzata nella sequenza "9°C > 8°C > 7°C > 6°C > 5°C > 4°C > 3°C > 2°C > 1°C".



Regolazione della temperatura del frigorifero

3. Premere ogni volta il tasto "D2" (tasto di regolazione della temperatura "+"), viene emesso un segnale acustico, la temperatura impostata del frigorifero aumenta di 1. La temperatura del frigorifero verrà visualizzata nella sequenza "1°C > 2°C > 3°C > 4°C > 5°C > 6°C > 7°C > 8°C > 9°C



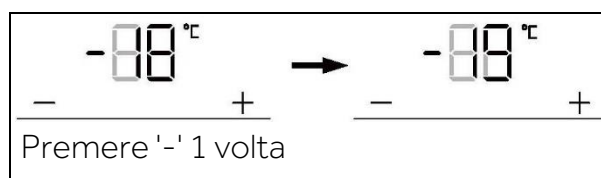
Avviso

Dopo aver impostato la temperatura, se non viene eseguita alcuna operazione entro 5 secondi, il sistema viene determinato automaticamente e salva la temperatura impostata.

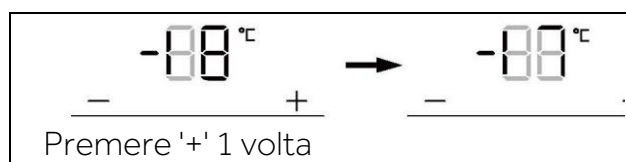
Regolazione della temperatura del congelatore

1. Quando lo schermo del display è sbloccato, premere il tasto "C" (selettore zona). Il segnale acustico viene emesso una volta, l'indicatore "c2" (Indicatore congelatore) lampeggia, quindi si arriva alla modalità di impostazione della temperatura del congelatore.

2. Premere ogni volta il tasto "D1" (tasto di regolazione della temperatura "-"), viene emesso un segnale acustico, la temperatura impostata del congelatore si riduce di 1. La temperatura del congelatore verrà visualizzata nella sequenza "-14°C > -15°C > -16°C > -17°C > -18°C > -19°C > -20°C > -21°C > -22°C > -23°C > -24°C".



3. Premere ogni volta il tasto "D2" (tasto di regolazione della temperatura "+"), viene emesso un segnale acustico, la temperatura impostata del congelatore aumenta di 1. La temperatura del congelatore verrà visualizzata nella sequenza "-24°C > -23°C > -22°C > -21°C > -20°C > -19°C > -18°C > -17°C > -16°C > -15°C > -14°C.

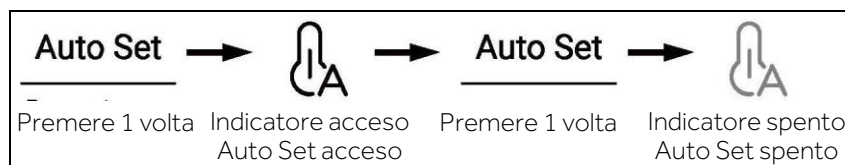


Avviso

Dopo aver impostato la temperatura, se non viene eseguita alcuna operazione entro 5 secondi, il sistema viene determinato automaticamente e salva la temperatura impostata.

Modalità Auto Set

1. Quando lo schermo del display è sbloccato, premere il tasto "A" (selettore modalità Auto Set), viene emesso un segnale acustico, l'indicatore "a1" (modalità Auto Set) si accende, quindi la funzione Auto Set si attiva.
2. Quando l'indicatore "a1" (modalità Auto Set) si accende, premere il tasto "A" (selettore modalità Auto Set), viene emesso un segnale acustico, l'indicatore "a1" (modalità Auto Set) si spegne, quindi la funzione Auto Set si disattiva



Avviso

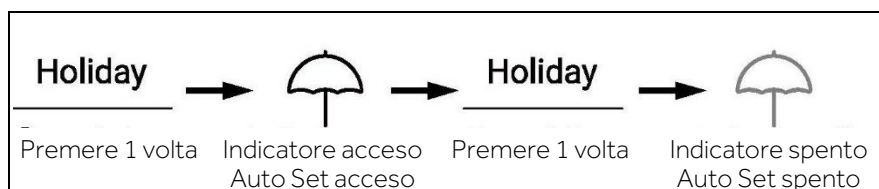
Nella modalità Auto Set, non è possibile regolare la temperatura del frigorifero o del congelatore. Se si preme il tasto "D1" (tasto di regolazione della temperatura "-") o il tasto "D2" (tasto di regolazione della temperatura "+") per regolare la temperatura del frigorifero o del congelatore, l'indicatore "a1" (indicatore Auto Set) lampeggia con un segnale acustico per indicare che questa operazione non può essere eseguita.

Nella modalità Auto Set, a causa dei diversi metodi di controllo, se è impostata la funzione "Super-Cool", "Super-Freeze" o "Holiday", l'indicatore "a1" (modalità Auto Set) si spegne, quindi la funzione Auto Set si disattiva automaticamente.

Modalità Holiday

La modalità Holiday è progettata per i momenti in cui il frigorifero non viene utilizzato per un tempo prolungato. Quando la modalità Holiday è attivata, il congelatore è sotto controllo normale e la temperatura del frigorifero viene impostata automaticamente su 17°C. La temperatura effettiva non è superiore a 17°C, il che previene il particolare odore causato dalla sovratemperatura consentendo, allo stesso tempo, la riduzione del consumo energetico.

1. Quando lo schermo del display è sbloccato, premere il tasto "B" (selettore modalità Holiday), viene emesso un segnale acustico, l'indicatore "b" (modalità Holiday) si accende, quindi la funzione Holiday si attiva.
2. Quando l'indicatore "b" (modalità Holiday) si accende, premere il tasto "B" (selettore modalità Holiday), viene emesso un segnale acustico, l'indicatore "b" (modalità Holiday) si spegne, quindi la funzione Holiday si disattiva



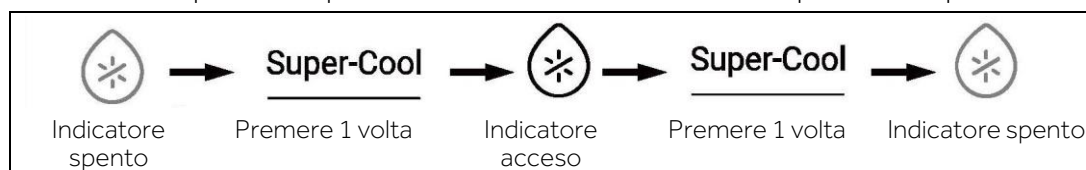
Avviso

Nello stato Holiday, la temperatura del frigorifero non può essere regolata. Se si preme il tasto "D1" (tasto di regolazione della temperatura "-") o il tasto "D2" (tasto di regolazione della temperatura "+") per regolare la temperatura del frigorifero, l'indicatore "b" (indicatore Holiday) lampeggia con un segnale acustico per indicare che questa operazione non può essere eseguita.

Prima di utilizzare la funzione Holiday, svuotare il frigorifero per evitare che gli alimenti al suo interno vadano a male. Quando la funzione Holiday è attivata, non è possibile attivare contemporaneamente la funzione "Auto Set" o la funzione "Super-Cool".

Funzione Super-Cool

1. Quando lo schermo del display è sbloccato, premere il tasto "F" (selettore Super-Cool), viene emesso un segnale acustico, la spia "f" (funzione Super-Cool) si accende, quindi la funzione Super-Cool si attiva.
2. Quando l'indicatore "f" (funzione Super-Cool) si accende, premere il tasto "F" (selettore Super-Cool); viene emesso un segnale acustico, l'indicatore "f" (funzione Super-Cool) si spegne e la funzione Super-Cool si disattiva.
3. Dopo l'attivazione della funzione Super-Cool, il frigorifero disattiva automaticamente la funzione quando raggiunge la condizione impostata. Se si desidera uscire manualmente, è possibile premere il tasto "F" (selettore Super-Cool) per disattivarla.



Avviso

Nello stato Super-Cool, la temperatura del frigorifero non può essere regolata. Se si preme il tasto "D1" (tasto di regolazione della temperatura "-") o il tasto "D2" (tasto di regolazione della temperatura "+") per regolare la temperatura del frigorifero, l'indicatore "f" (indicatore Super-Cool) lampeggia con un segnale acustico per indicare che questa operazione non può essere eseguita.

Nello stato della funzione Super-Cool, la funzione Auto-set o la funzione Holiday non possono essere attivate contemporaneamente a causa delle diverse modalità di controllo. Quando si sceglie una funzione in conflitto con un'altra funzione, la funzione originale si disattiva automaticamente.



Funzione Super-Freeze (Super-Frz)

1. Quando lo schermo del display è sbloccato, premere il tasto "E" (selettore Super-Frz.), viene emesso un segnale acustico, l'indicatore "e1" (funzione Super-Freeze) si accende, quindi la funzione Super-Freeze si attiva.
2. Quando l'indicatore "e1" (funzione Super-Freeze) si accende, premere il tasto "E" (selettore Super-Frz.), viene emesso un segnale acustico, l'indicatore "e1" (funzione Super-Freeze) si spegne e la funzione Super-Freeze viene disattivata.
3. Dopo l'attivazione della funzione Super-Freeze, il frigorifero disattiva automaticamente la funzione quando raggiunge la condizione impostata. Se si desidera uscire manualmente, è possibile premere il tasto "E" (selettore Super-Frz.) per disattivarla.



Avviso

Nello stato Super-Freeze, la temperatura del congelatore non può essere regolata. Se si preme il pulsante "D1" (pulsante di regolazione della temperatura "-") o il pulsante "D2" (pulsante di regolazione della temperatura "+") per regolare la temperatura del congelatore, l'indicatore "e1" (indicatore Super-Frz.) lampeggia con un segnale acustico per indicare che questa operazione non può essere eseguita.

Nello stato della funzione Super-Freeze, la funzione Auto-set non può essere attivata contemporaneamente a causa delle diverse modalità di controllo. Quando si sceglie una funzione in conflitto con un'altra funzione, la funzione originale si disattiva automaticamente.

Funzione filtro

Quando il frigorifero è in funzione per sei mesi, l'indicatore di promemoria "c3" (funzione reset filtro) si accende per ricordare agli utenti di sostituire il filtro con uno nuovo. Quando il filtro viene sostituito, tenere premuto per 3 secondi il tasto "C" (selettore funzione reset filtro) per annullare la promemoria, la temporizzazione si azzerà con il segnale acustico.

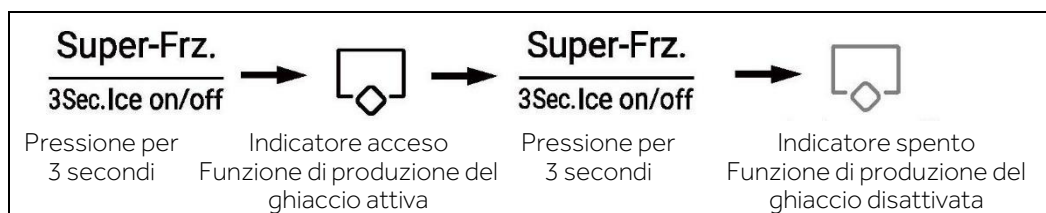


Avviso

La durata normale del filtro è di sei mesi. Si consiglia di sostituire il filtro ogni sei mesi.

Modalità macchina per il ghiaccio

1. In stato sbloccato, premere il tasto "E" (selettore della modalità macchina per il ghiaccio) e tenerlo premuto per 3 secondi: viene emesso un segnale acustico, l'indicatore "e2" (modalità macchina per il ghiaccio) si accende e quindi la modalità macchina per il ghiaccio si attiva.
2. Quando il tasto "e2" (modalità macchina per il ghiaccio) si accende, premere il tasto "E" (selettore della modalità macchina per il ghiaccio) e tenerlo premuto per 3 secondi: viene emesso un segnale acustico, l'indicatore "e2" (modalità macchina per il ghiaccio) si spegne e quindi la modalità macchina per il ghiaccio si disattiva



Avviso

Quando l'elettrodomestico è acceso, la macchina per il ghiaccio è spenta per impostazione predefinita.

Quando non occorrono cubetti di ghiaccio per un periodo di tempo prolungato, disattivare la funzione macchina per il ghiaccio, svuotare il contenitore e inserire il contenitore pulito.

La macchina per il ghiaccio può essere configurata solo con il produttore o acquistata dall'addetto all'assistenza.

Funzione Water intake

In qualsiasi stato (bloccato o sbloccato), premere il tasto "H1" (selettore funzione Water intake), viene emesso un segnale acustico, l'indicatore "h1" (funzione Water intake) si accende, quindi la funzione Water intake si attiva.



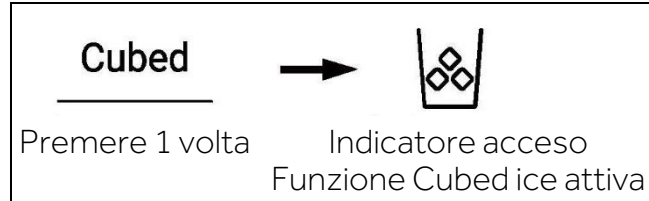
Avviso

1. Quando l'indicatore "h1" (funzione Water intake) si accende, l'indicatore "h2" (funzione Cubed ice) e l'indicatore "h3" (funzione Crushed ice) si spengono. Dopo aver premuto la pala erogatrice, l'acqua fuoriesce dalla porta di aspirazione.
2. Quando il tempo della presa d'acqua raggiunge 150 secondi, il frigorifero emette un segnale acustico e mantiene l'acqua fino a quando il tempo non raggiunge 180 secondi, l'acqua viene interrotta e la valvola dell'acqua entra nel tempo di protezione di 200 secondi, quindi la presa dell'acqua può essere eseguita nuovamente.
3. Quando il tempo cumulativo di presa dell'acqua raggiunge 5 minuti entro 10 minuti, la valvola dell'acqua entra nel tempo di protezione di 10 minuti, quindi è possibile eseguire nuovamente la presa dell'acqua.



Funzione Cubed ice

In qualsiasi stato (bloccato o sbloccato), premere il tasto "H2" (selettore funzione Cubed ice), viene emesso un segnale acustico, l'indicatore "h2" (funzione Cubed ice) si accende, quindi la funzione Cubed ice si attiva.

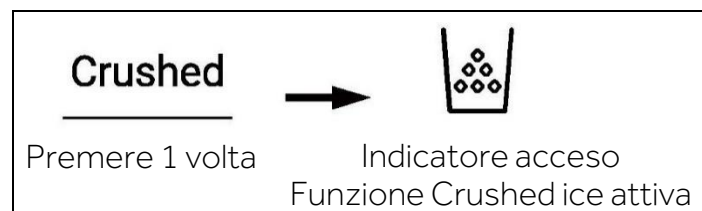


Avviso

1. Quando l'indicatore "h2" (funzione Cubed ice) si accende, l'indicatore "h1" (funzione Water intake) e l'indicatore "h3" (funzione Crushed ice) si spengono. Dopo aver premuto il microinterruttore del distributore, i cubetti di ghiaccio escono dalla porta di aspirazione.
2. Quando la macchina del ghiaccio viene collegato per la prima volta all'elettricità per funzionare, la funzione Cubed ice è disattivata per impostazione predefinita.
3. Premere il microinterruttore dell'erogatore, la relativa spia si accende con la copertura del microinterruttore aperta. Quindi, il motore del tritaghiaccio inizia a ruotare in senso antiorario per spingere i cubetti di ghiaccio. Allentare il microinterruttore dell'erogatore; il motore del tritaghiaccio si arresta, la copertura dell'erogatore si chiude e la spia si spegne dopo 5 secondi.
4. Nello stato Cubed ice, quando il relativo tempo è superiore a 50 secondi, viene emesso un segnale acustico che inizia ad avvisare gli utenti (con piccoli colpi) di disattivarlo. Quando il tempo raggiunge 1 minuto, la funzione Cubed ice viene forzata a fermarsi ed è efficiente quando l'interruttore viene premuto la volta successiva.
5. Durante la funzione Cubed ice, se si apre lo sportello del frigorifero, il motore che eroga ghiaccio si ferma, con la copertura dell'erogatore chiusa, la spia dell'erogatore spenta e la funzione Cubed ice disattivata.
6. È vietato avviare la produzione del ghiaccio con lo sportello del frigorifero aperto.

Funzione Crushed ice

In qualsiasi stato (bloccato o sbloccato), premere il tasto "H3" (selettore funzione Crushed ice), viene emesso un segnale acustico, l'indicatore "h3" (funzione Crushed ice) si accende, quindi la funzione Crushed ice si attiva.



Avviso

Quando l'indicatore "h3" (funzione Crushed ice) si accende, l'indicatore "h1" (funzione Water intake) e l'indicatore "h2" (funzione Cubed ice) si spengono. Dopo aver premuto il microinterruttore del distributore, il ghiaccio tritato esce dalla porta di aspirazione.

Premere il microinterruttore dell'erogatore, la relativa spia si accende con la copertura del microinterruttore aperta. Quindi, il motore per tritare il ghiaccio inizia a ruotare in senso orario per spingere i cubetti di ghiaccio. Allentare il microinterruttore dell'erogatore; il motore del tritaggiaccio si arresta, la copertura dell'erogatore si chiude e la spia si spegne dopo 5 secondi.

Nello stato Crushed ice, quando il relativo tempo è superiore a 50 secondi, viene emesso un segnale acustico che inizia ad avvisare gli utenti (con piccoli colpi) di disattivarlo. Quando il tempo raggiunge 1 minuto, la funzione Crushed ice viene forzata a fermarsi ed è efficiente quando l'interruttore viene premuto la volta successiva.

Durante la funzione Crushed ice, se si apre lo sportello del frigorifero, il motore che eroga ghiaccio si ferma, con la copertura dell'erogatore chiusa, la spia dell'erogatore spenta e la funzione Crushed ice disattivata.

È vietato avviare il tritaggiaccio con lo sportello del frigorifero aperto.

Allarme sportello aperto

Se uno sportello viene tenuto aperto troppo a lungo o lo sportello non è chiuso completamente, il frigorifero emette un segnale acustico a intervalli prestabiliti per ricordare all'utente di chiudere lo sportello in tempo.

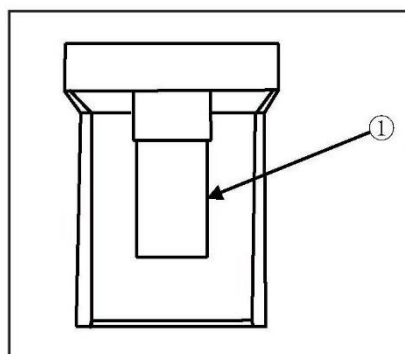
Memoria spegnimento

Viene ricordato lo stato di funzionamento istantaneo dello spegnimento. Dopo la riaccensione, la funzione si baserà ancora sull'impostazione attiva prima dello spegnimento

Utilizzo dell'erogatore di ghiaccio e acqua

Premere ripetutamente il tasto di selezione dell'erogatore finché la spia sopra l'indicatore desiderato non si accende.

Premere la paletta erogatrice (1) con un bicchiere o un altro contenitore per erogare ghiaccio a cubetti, acqua o ghiaccio tritato.

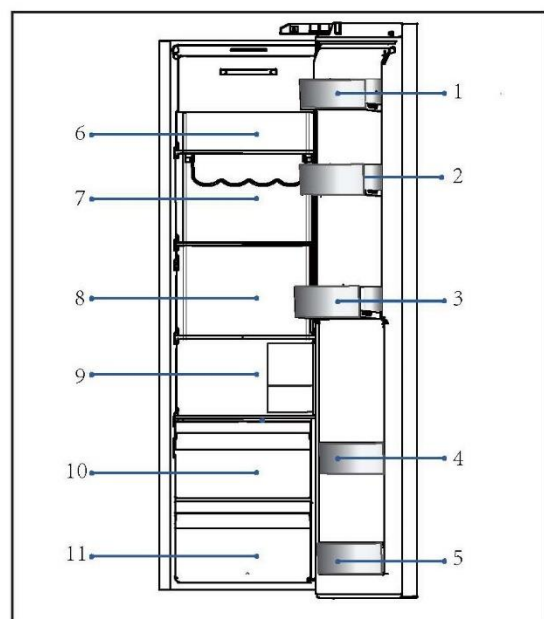


SUGGERIMENTO PER LA CONSERVAZIONE DI ALIMENTI FRESCHI

Conservazione nel comparto frigorifero

1. Mantenere nel frigorifero una temperatura inferiore a 5 °C.
2. Lasciare raffreddare gli alimenti caldi fino a quando raggiungono la temperatura ambiente prima di conservarli nell'elettrodomestico.
3. Lavare e asciugare gli alimenti prima di conservarli nel frigorifero.
4. Per evitare alterazioni dell'odore o del sapore, sigillare adeguatamente gli alimenti da conservare.
5. Non conservare alimenti in quantità eccessiva. Per un raffreddamento migliore e più omogeneo, lasciare spazio tra gli alimenti per consentire il passaggio dell'aria fredda.
6. È preferibile conservare nella parte anteriore del ripiano gli alimenti consumati quotidianamente.
7. Lasciare spazio tra gli alimenti e le pareti interne, per facilitare il passaggio dell'aria. In particolare, non riporre alimenti a contatto con la parete posteriore, perché potrebbero congelarsi. Evitare il contatto diretto degli alimenti (specialmente se oleosi o acidi) con il rivestimento interno, poiché l'olio e l'acido possono corroderlo. Pulire immediatamente lo sporco oleoso o acido.
8. Scongelare gli alimenti surgelati nel comparto frigorifero. In questo modo, è possibile utilizzare gli alimenti congelati per ridurre la temperatura nel comparto e risparmiare energia.
9. Il processo di invecchiamento di frutta e verdura come zucchine, meloni, papaia, banane, ananas ecc. può essere accelerato nel frigorifero. Per tale motivo, è sconsigliabile conservare questi alimenti nel frigorifero. Un breve periodo di conservazione in frigorifero, tuttavia, può accelerare la maturazione di frutti molto acerbi. Conservare a temperatura ambiente anche cipolle, aglio, zenzero e altri tuberi.
10. Eventuali odori sgradevoli all'interno del frigorifero indicano che qualcosa si è rovesciato ed è necessario pulire l'elettrodomestico. Vedere CURA E PULIZIA.
11. È preferibile collocare alimenti diversi in aree diverse, a seconda delle loro proprietà:

- 1-Burro, formaggi, ecc.
- 2-Uova, cibo in scatola, spezie, ecc.
- 3/4/5-Bevande e bibite imbottigliate.
- 6-Cibi in salamoia, cibo in scatola, ecc.
- 7/8-Carne, pesce, alimenti crudi
- 9-Lattine, latticini, ecc.
- 10-Frutta, verdura, lattuga, ecc.
- 11-Carne cotta, salsicce ecc.

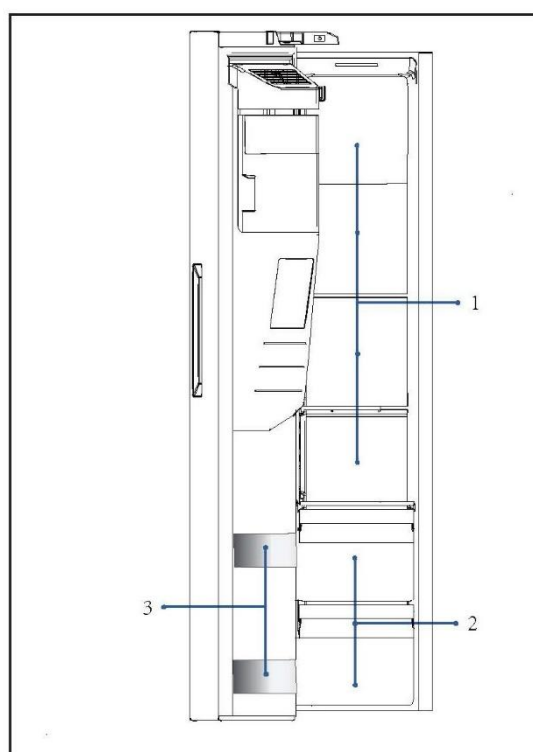


SUGGERIMENTO PER LA CONSERVAZIONE DI ALIMENTI FRESCI

Conservazione nel vano congelatore

1. Nel congelatore mantenere la temperatura di -18°C .
2. Attivare la funzione Super-Freeze 12 ore prima di congelare altri alimenti; per alimenti in quantità limitata, bastano 4-6 ore.
3. Lasciare raffreddare gli alimenti caldi fino a quando raggiungono la temperatura ambiente prima di conservarli nel comparto congelatore.
4. Gli alimenti tagliati in piccole porzioni si congelano e si scongelano più rapidamente. Il peso consigliato per ogni porzione è inferiore a 2,5 kg.
5. È preferibile confezionare gli alimenti prima di collocarli nel congelatore. Per evitare che i sacchetti si attacchino tra loro, la parte esterna della confezione deve essere asciutta. I materiali per il confezionamento devono essere inodori, ermetici, non velenosi e non tossici.
6. Per evitare di superare la scadenza dei periodi di conservazione, annotare sulla confezione la data di congelamento, il limite di tempo e il nome dell'alimento in base ai periodi di conservazione dei vari alimenti.
7. **AVVERTENZA!** Acidi, alcali, sale ecc. potrebbero corrodere la superficie interna del congelatore. Non collocare alimenti contenenti tali sostanze (ad es. pesce di mare) a contatto diretto con la superficie interna. Eliminare immediatamente l'acqua salata dal congelatore.
8. Non superare i tempi di conservazione degli alimenti consigliati dai produttori. Estrarre dal congelatore solo la quantità di alimenti necessaria.
9. È preferibile collocare alimenti diversi in aree diverse, a seconda delle loro proprietà:

- 1- Articoli più leggeri come gelati, verdure, pane, ecc.
- 2- Porzioni di cibo abbondanti/più pesanti come tagli di carne da cuocere
- 3- Pizza, etc.





AVVISO: CONSERVAZIONE

1. Per ottimizzare il raffreddamento, lasciare uno spazio libero di almeno 10 mm tra gli alimenti e il sensore.
2. Per ottimizzare il raffreddamento, lasciare libero il cassetto più in basso nell'elettrodomestico quando è in funzione.
3. Gli alimenti che contengono ghiaccio (come il gelato) devono essere conservati all'interno del comparto congelatore invece che nei portabottiglie. Gli sbalzi di temperatura a cui sono esposti i portabottiglie, dovuti all'apertura e alla chiusura dello sportello, possono scongelare gli alimenti.
4. Consumare rapidamente gli alimenti scongelati. Gli alimenti scongelati non possono essere ricongelati, a meno che non vengano cotti.
5. Non caricare troppi alimenti freschi nel vano congelatore. Fare riferimento alla capacità di congelamento del congelatore - Vedere DATI TECNICI o controllare i dati sulla targhetta.
6. Gli alimenti possono essere conservati nel congelatore a una temperatura di almeno -18 °C per 2-12 mesi, a seconda delle loro proprietà (ad es. carne: 3-12 mesi, verdure: 6-12 mesi)
7. Quando si congelano alimenti freschi, evitare che entrino a contatto con alimenti già congelati. In caso contrario, potrebbero scongelarsi.
8. Scongelare gli alimenti congelati in frigorifero. In questo modo, è possibile utilizzare gli alimenti congelati per ridurre la temperatura nel comparto e risparmiare energia.

Quando si conservano alimenti surgelati, attenersi alle linee guida indicate di seguito:

1. Per il tempo di conservazione degli alimenti, attenersi sempre alle linee guida dei produttori. Non ignorare queste linee guida!
2. Ridurre il più possibile il tempo tra l'acquisto e la conservazione per preservare la qualità degli alimenti.
3. Acquistare alimenti congelati che devono essere conservati a una temperatura di -18°C o inferiore.
4. Evitare di acquistare alimenti con ghiaccio o brina sulla confezione, in quanto potrebbero essere stati parzialmente scongelati e ricongelati; l'aumento della temperatura riduce la qualità degli alimenti.

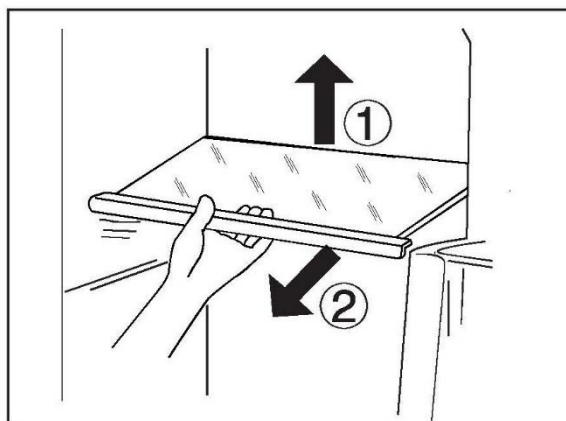


Suggerimenti per il risparmio energetico

- ▶ Accertarsi che l'elettrodomestico sia adeguatamente ventilato (v. INSTALLAZIONE).
- ▶ Non installare l'elettrodomestico esposto alla luce diretta del sole o in prossimità di fonti di calore (ad es. stufe o radiatori).
- ▶ Evitare che la temperatura dell'elettrodomestico sia inutilmente bassa. Riducendo la temperatura impostata nell'elettrodomestico, il consumo energetico aumenta.
- ▶ Funzioni come POWER-FREEZE consumano più energia.
- ▶ Attendere che gli alimenti caldi si raffreddino prima di collocarli nell'elettrodomestico.
- ▶ Aprire lo sportello dell'elettrodomestico senza spalancarlo e per il più breve tempo possibile.
- ▶ Per evitare ostruzioni del flusso d'aria, non riempire eccessivamente l'elettrodomestico.
- ▶ Evitare l'ingresso di aria nelle confezioni di alimenti.
- ▶ Mantenere pulite le guarnizioni dello sportello in modo che si chiuda sempre perfettamente
- ▶ Scongelare gli alimenti surgelati nel comparto frigorifero.
- ▶ Per ottimizzare il risparmio energetico, lasciare i cassetti, i contenitori per gli alimenti e i ripiani nelle posizioni di fabbrica e collocare gli alimenti il più possibile distanti tra loro senza ostruire l'uscita del condotto.

Ripiani regolabili

1. L'altezza dei ripiani può essere regolata in base alle esigenze.
2. Per spostare un ripiano, rimuoverlo sollevandone il bordo posteriore ① ed estrarlo ②.
3. Per reinstallarlo, collocarlo sulle alette su entrambi i lati e spingerlo dentro fino in fondo in modo che la parte posteriore del ripiano sia fissata all'interno delle feritoie laterali

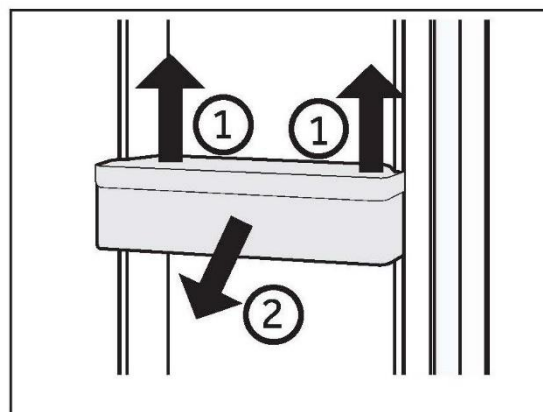


i AVVISO

Accertarsi che tutte le estremità del ripiano siano a livello.

Portabottiglie/Cassetti incassati nello sportello rimovibili

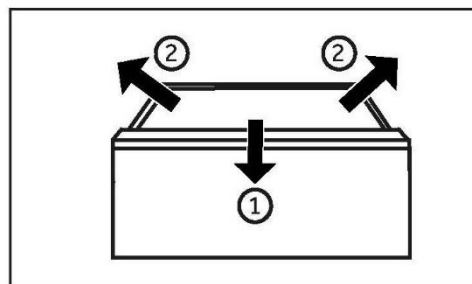
1. I portabottiglie/cassetti incassati nello sportello possono essere rimossi per pulirli:
2. Tenere con le mani entrambi i lati del cassetto incassato/portabottiglie, sollevarlo ① ed estrarlo ②.
3. Per inserire il portabottiglie/cassetto incassato nello sportello, seguire la procedura inversa



Cassetto rimovibile

Per rimuovere il cassetto, estrarlo al massimo ①, sollevarlo e toglierlo ②.

Per inserire il cassetto, seguire la procedura inversa.



Contenitore del ghiaccio

Interruzione della produzione di ghiaccio

Se ghiaccio o acqua non sono necessari per un lungo periodo di tempo, è possibile chiudere la valvola tra l'alimentazione idrica e l'elettrodomestico.

La ghiacciaia deve essere pulita, asciugata e riposta nell'elettrodomestico per evitare la formazione di odori.

Rimozione del contenitore del ghiaccio

1. Afferrare entrambe le maniglie laterali.
2. Sollevare il contenitore.
3. Estrarre il contenitore.

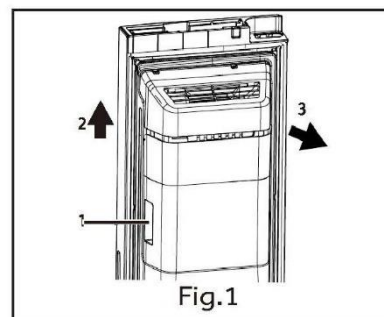


Fig.1

Reinstallazione del contenitore del ghiaccio

Per reinstallare il contenitore del ghiaccio, la staffa a U dietro il contenitore del ghiaccio (1 in Fig.2) deve essere allineata con la corrispondente struttura metallica. Seguire i passaggi della Fig. 1 nell'ordine inverso.

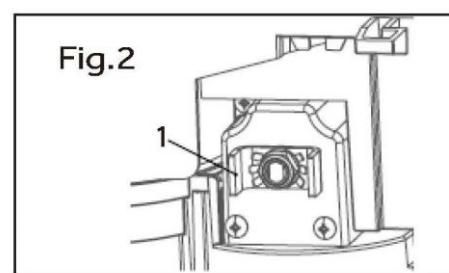


Fig.2



AVVISO

L'umidità può condensare e congelare la ghiacciaia nella sua posizione.



AVVERTENZA!

Prima di effettuare la pulizia, staccare la spina di alimentazione dell'elettrodomestico.

Pulizia

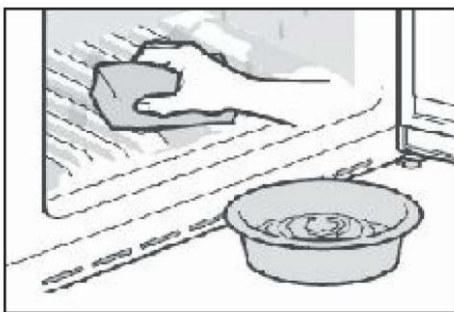
Pulire l'elettrodomestico quando è vuoto o contiene pochi alimenti.

Per una corretta manutenzione e per evitare cattivi odori degli alimenti conservati, pulire l'elettrodomestico ogni quattro settimane.



AVVERTENZA!

- ▶ Non pulire l'elettrodomestico con spazzole rigide, spazzole metalliche, detersivi in polvere, benzina, acetato di pentile, acetone e soluzioni organiche simili, soluzioni acide o alcaline. Per la pulizia adoperare un detersivo speciale per frigoriferi per evitare danni.
- ▶ Non spruzzare o schizzare liquidi sull'elettrodomestico durante la pulizia.
- ▶ Per pulire questo elettrodomestico non utilizzare apparecchi a vapore.
- ▶ Non pulire i ripiani di vetro freddi con acqua calda. Un'improvvisa variazione della temperatura può causare la rottura del vetro.
- ▶ Non toccare la superficie interna del comparto congelatore, soprattutto con le mani bagnate, poiché le mani potrebbero congelarsi sulla superficie.
- ▶ Se la temperatura aumenta, controllare lo stato degli alimenti congelati.



- ▶ Tenere sempre pulita la guarnizione dello sportello.
 - ▶ Pulire l'interno e l'alloggiamento dell'elettrodomestico con una spugna imbevuta di acqua calda e detersivo neutro.
1. Strofinare l'interno e l'esterno del frigorifero (compresi la guarnizione dello sportello, il cassetto incassato nello sportello, i ripiani di vetro, i comparti ecc.) con un panno morbido o una spugna imbevuta di acqua calda (è possibile aggiungere un detersivo neutro).
 2. In presenza di liquidi versati, rimuovere tutte le parti contaminate, sciacquarle sotto l'acqua corrente, asciugarle e ricollocarle nel frigorifero.
 3. In caso di versamenti di alimenti cremosi (ad es. panna o gelato sciolto), rimuovere tutte le parti contaminate, lasciarle un po' di tempo in acqua calda a circa 40°C, poi sciacquarle sotto l'acqua corrente, asciugarle e ricollocarle nel frigorifero.
 4. Nel caso in cui rimangano intrappolati piccoli oggetti all'interno del frigorifero (tra i ripiani o i cassette), toglierli con una spazzolina morbida. Se non si riesce a raggiungere l'oggetto, rivolgersi all'assistenza Haier
- ▶ Sciacquare e asciugare con un panno morbido.
 - ▶ Non lavare i componenti dell'elettrodomestico in lavastoviglie.
 - ▶ Attendere almeno 5 minuti prima di riavviare l'elettrodomestico, poiché un avvio frequente può danneggiare il compressore.

Sbrinamento

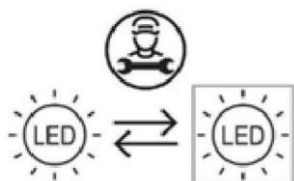
Lo sbrinamento dei vani frigorifero e congelatore avviene automaticamente e non richiede operazioni manuali.

Sostituzione delle lampade a LED


AVVERTENZA!

La lampada a LED deve essere sostituita solo dal produttore o da un tecnico dell'assistenza autorizzato.

La lampada utilizza una sorgente luminosa a LED che riduce i consumi energetici e garantisce una lunga durata. In caso di anomalie, rivolgersi all'assistenza clienti. V. ASSISTENZA CLIENTI.



La sorgente luminosa (solo LED) può essere sostituita esclusivamente da un elettricista professionista.

Questo prodotto contiene una fonte luminosa con efficienza energetica di classe G.

Comparto	Tensione	Classe di efficienza energetica	Modello
Frigorifero	12 V	G	HSW59F18DIMM
Congelatore	12 V	G	HSW79F18DIPT
Lampada posteriore	12 V	G	

Pulizia del contenitore del ghiaccio

Pulire periodicamente il contenitore del ghiaccio con acqua calda, in particolare se i cubetti di ghiaccio sono vecchi e stantii. Asciugare bene il contenitore prima di reinserirlo nell'elettrodomestico per evitare che i cubetti di ghiaccio si attacchino alle pareti.

Inutilizzo per lunghi periodi

Se l'elettrodomestico non verrà adoperato per lunghi periodi e non verrà utilizzata solo la funzione Holiday per il frigorifero:

- ▶ Estrarre gli alimenti.
- ▶ Scollegare il cavo di alimentazione.
- ▶ Pulire l'elettrodomestico come descritto in precedenza.
- ▶ Lasciare aperti gli sportelli per evitare la produzione di cattivi odori all'interno.


AVVISO

Spegnere l'elettrodomestico solo se è strettamente necessario.



Spostamento dell'elettrodomestico

1. Togliere tutti gli alimenti e staccare la spina dell'elettrodomestico.
2. Fissare con nastro adesivo i ripiani e gli altri componenti mobili presenti nel frigorifero e nel congelatore.
3. Non inclinare il frigorifero oltre 45°, altrimenti il sistema di refrigerazione potrebbe danneggiarsi.



AVVERTENZA!

- ▶ Non sollevare l'elettrodomestico mantenendolo per le maniglie dello sportello.
- ▶ Non collocare mai l'elettrodomestico orizzontalmente a terra.

Sostituzione del filtro

Il filtro dell'acqua deve essere sostituito ogni 6 mesi circa, quando si accende l'indicatore "c3" (funzione reset filtro).

Per acquistare un filtro dell'acqua sostitutivo:

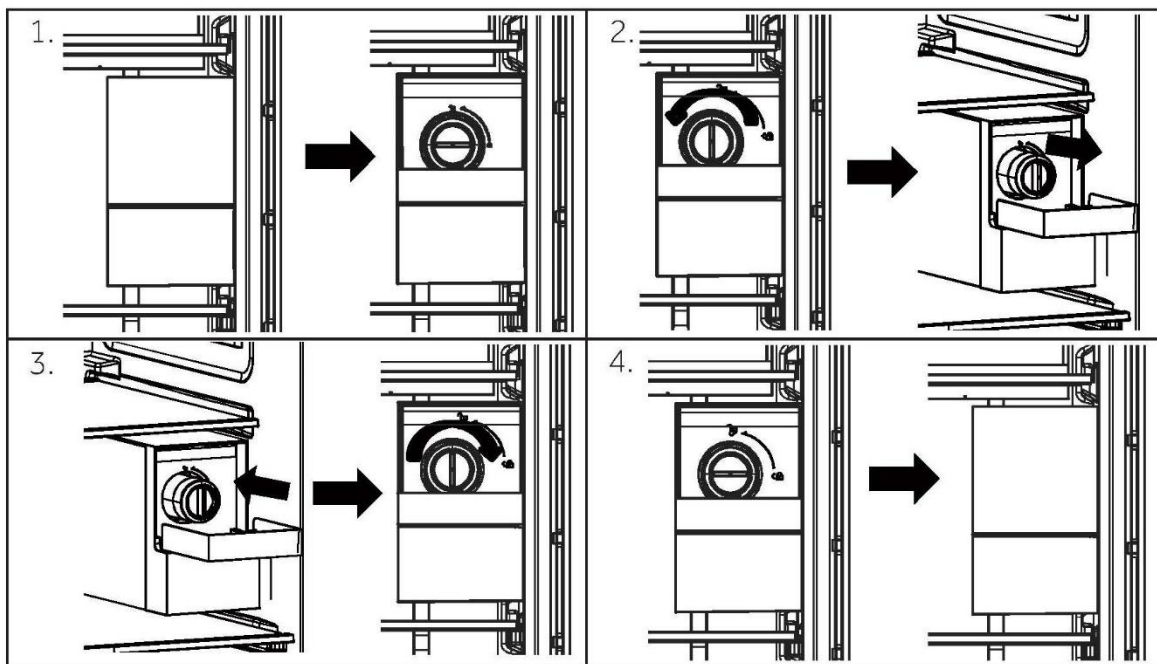
- Utilizzare la cartuccia sostitutiva: HRXWF.
- Recarsi presso il rivenditore o distributore locale. Per ulteriore assistenza, visitare il nostro sito Web all'indirizzo www.haierespares.eu



Avviso

- ▶ La sostituzione del filtro dell'acqua fa defluire una piccola quantità d'acqua (circa 1 oncia o 25 cc).
- ▶ Avvolgere un panno attorno all'estremità anteriore della copertura del filtro dell'acqua per raccogliere l'acqua che fuoriesce. Tenere il filtro dell'acqua in posizione verticale, una volta rimosso, per evitare che l'acqua residua fuoriesca dal filtro.

1. Premere verso il basso al centro della copertura superiore e abbassare.
2. Rimuovere il filtro dell'acqua monouso.
3. Sostituire con un nuovo filtro dell'acqua. Inserire il nuovo filtro nella testa del filtro e ruotarlo in senso orario finché la freccia sul nuovo filtro non si allinea con la freccia sulla testa del filtro. Riportare il filtro nello scomparto.
4. Chiudere la copertura del filtro dell'acqua.



5. Tenere premuto il tasto 3Sec. Filter Reset per 3 secondi.
6. Erogare acqua per circa 5 minuti per rimuovere l'aria intrappolata e gli agenti contaminanti.



ATTENZIONE!

- ▶ La mancata sostituzione dei filtri quando necessario o l'utilizzo di filtri dell'acqua non autorizzati da Haier possono causare perdite dalla cartuccia del filtro e provocare danni materiali.

Filtro dell'acqua

Modello: Haier HRXWF

- ▶ Sistema certificato da IAPMO R&T secondo NSF/ANSI Norme 42, 53, 401 e P473 per la riduzione dei reclami specificati sulla scheda tecnica e su iapmort.org.
- ▶ Le prestazioni effettive possono variare in base alle condizioni idriche locali.

Linee guida applicative/Parametri di approvvigionamento idrico

Portata di servizio: 0,5 gpm (1,89 giri/min)

Alimentazione dell'acqua: acqua potabile

Pressione dell'acqua: 25-120 psi (172-827 kPa)

Temperatura dell'acqua: 0,6°C-38°C

Capacità: 170 galloni (643,5 litri)



È essenziale che i requisiti di installazione, manutenzione e sostituzione del filtro consigliati dal produttore siano rispettati affinché il prodotto funzioni come indicato. Vedere il Manuale di installazione per informazioni sulla garanzia.

Avviso

Sebbene il test sia stato eseguito in condizioni di laboratorio standard, le prestazioni effettive possono variare. Cartuccia sostitutiva: HRXWF Per i costi stimati degli elementi sostitutivi, visitare il nostro sito Web all'indirizzo www.haierespares.eu.

AVVERTENZA!

- ▶ Per ridurre il rischio associato all'ingestione di contaminanti:
- ▶ Non utilizzare con acqua microbiologicamente non sicura o di qualità ignota in assenza di un'adeguata disinfezione a monte e a valle dell'impianto. Impianti certificati per riduzione di sporocisti possono essere utilizzati con acqua disinfettata che può contenere sporocisti filtrabili.

Avviso

Per ridurre il rischio di perdite d'acqua o allagamenti e per garantire prestazioni ottimali del filtro:

- ▶ Leggere e seguire le istruzioni per l'uso prima dell'installazione e dell'impiego di questo sistema.
- ▶ L'installazione e l'uso DEVONO essere conformi a tutti i codici idraulici statali e locali.
- ▶ Non installare se la pressione dell'acqua supera 120 psi (827 kPa). Se la pressione dell'acqua supera 80 psi (552 kPa), è necessario installare una valvola limitatrice di pressione. In caso di dubbi su come controllare la pressione dell'acqua, contattare un idraulico professionista.
- ▶ Non installare dove possono verificarsi condizioni di colpo d'ariete. Se esistono condizioni di colpo d'ariete è necessario installare un dispositivo di arresto del colpo d'ariete. In caso di dubbi su come controllare tale condizione, contattare un idraulico professionista.
- ▶ Non installare su linee di alimentazione dell'acqua calda. La temperatura massima dell'acqua di esercizio di questo sistema di filtraggio è di 38°C.
- ▶ Proteggere il filtro dal gelo. Scaricare il filtro quando le temperature scendono sotto i 0,6°C.
- ▶ Sostituire la cartuccia del filtro monouso ogni sei mesi o prima se si osserva una notevole riduzione della portata d'acqua.
- ▶ La mancata sostituzione della cartuccia del filtro monouso agli intervalli consigliati può comportare una riduzione delle prestazioni del filtro e crepe nell'alloggiamento del filtro, causando perdite d'acqua o allagamenti.
- ▶ Questo sistema è stato testato secondo NSF/ANSI 42, 53, 401 e P473 per la riduzione delle sostanze elencate di seguito. La concentrazione delle sostanze indicate nell'acqua in ingresso nel sistema è stata ridotta a una concentrazione inferiore o uguale al limite consentito per l'acqua in uscita dal sistema, come specificato in NSF/ANSI 42, 53, 401 e P473.

Molti problemi possono essere risolti personalmente senza particolari competenze. In caso di problemi, consultare tutte le soluzioni possibili indicate e attenersi alle seguenti istruzioni prima di contattare l'assistenza post-vendita. V. ASSISTENZA CLIENTI.



AVVERTENZA!

- ▶ Prima di effettuare la manutenzione dell'elettrodomestico, spegnerlo e staccare la spina dalla presa di corrente.
- ▶ La manutenzione delle apparecchiature elettriche deve essere effettuata solo da elettricisti qualificati, dal momento che eventuali riparazioni improprie possono causare danni notevoli.
- ▶ Se il cavo di alimentazione è danneggiato, deve essere sostituito unicamente dal produttore, da un tecnico dell'assistenza o da una persona con analogha qualifica per evitare rischi.

Problema	Causa possibile	Soluzione possibile
Il compressore non funziona.	<ul style="list-style-type: none"> • La spina non è collegata alla presa di corrente. • L'elettrodomestico sta effettuando il ciclo di sbrinamento 	<ul style="list-style-type: none"> • Collegare la spina alla presa di corrente. • Ciò è normale per lo sbrinamento automatico
L'elettrodomestico si aziona frequentemente o per un periodo di tempo troppo lungo.	<ul style="list-style-type: none"> • La temperatura interna o esterna è troppo elevata. • L'elettrodomestico è rimasto spento per un certo periodo di tempo. • Uno sportello dell'elettrodomestico non è chiuso ermeticamente. • Lo sportello è stato aperto troppo spesso o troppo a lungo. • L'impostazione della temperatura del comparto congelatore è troppo bassa. • La guarnizione dello sportello è sporca, usurata, danneggiata o inadeguata. • Non è garantita la circolazione dell'aria necessaria. 	<ul style="list-style-type: none"> • In questo caso è normale che l'elettrodomestico rimanga in funzione più a lungo. • Il raffreddamento completo dell'elettrodomestico normalmente richiede 8-12 ore. • Chiudere lo sportello o il cassetto e accertarsi che l'elettrodomestico sia a livello e che gli alimenti o i contenitori non urtino lo sportello. • Non aprire lo sportello o il cassetto troppo spesso. • Scegliere un'impostazione della temperatura più alta fino a quando la temperatura del frigorifero è soddisfacente. Per stabilizzare la temperatura del frigorifero occorrono 24 ore. • Pulire la guarnizione dello sportello o del cassetto o farla sostituire dall'assistenza clienti. • Garantire un'adeguata ventilazione.



Problema	Causa possibile	Soluzione possibile
L'interno del frigorifero è sporco e/o si sentono cattivi odori.	<ul style="list-style-type: none">• L'interno del frigorifero deve essere pulito.• In frigorifero vengono conservati alimenti che producono un odore intenso.	<ul style="list-style-type: none">• Pulire la parte interna del frigorifero.• Avvolgere completamente gli alimenti.
L'elettrodomestico emette suoni anomali.	<ul style="list-style-type: none">• L'elettrodomestico non è a livello.• L'elettrodomestico urta qualche oggetto vicino.	<ul style="list-style-type: none">• Regolare i piedini per collocare l'elettrodomestico a livello.• Rimuovere gli oggetti attorno all'elettrodomestico.
La temperatura nell'elettrodomestico non è sufficientemente bassa.	<ul style="list-style-type: none">• La temperatura impostata è troppo alta. Sono stati collocati alimenti troppo caldi.• Sono stati collocati troppi alimenti contemporaneamente.• Gli alimenti sono troppo vicini tra loro.• Uno sportello o un cassetto dell'elettrodomestico non è chiuso bene.• Lo sportello o il cassetto è stato aperto troppo spesso o troppo a lungo.	<ul style="list-style-type: none">• Reimpostare la temperatura.• Gli alimenti devono essere sempre raffreddati prima di conservarli.• Non conservare troppi alimenti.• Lasciare spazio tra i vari alimenti per consentire il passaggio del flusso d'aria.• Chiudere lo sportello o il cassetto.• Non aprire lo sportello o il cassetto troppo spesso.
La temperatura nell'elettrodomestico è troppo bassa.	<ul style="list-style-type: none">• La temperatura impostata è troppo bassa. La funzione Super-Frz/Super-Cool è attiva o rimane attiva troppo a lungo.	<ul style="list-style-type: none">• Reimpostare la temperatura.• Disattivare la funzione Super-Frz/Super-Cool
Formazione di umidità all'interno del comparto frigorifero.	<ul style="list-style-type: none">• Il clima è troppo caldo e troppo umido.• Uno sportello o un cassetto dell'elettrodomestico non è chiuso bene.• Lo sportello o il cassetto è stato aperto troppo spesso o troppo a lungo.• Contenitori per alimenti o liquidi rimasti aperti.	<ul style="list-style-type: none">• Aumentare la temperatura.• Chiudere lo sportello o il cassetto.• Non aprire lo sportello o il cassetto troppo spesso.• Lasciare raffreddare gli alimenti caldi a temperatura ambiente e coprire cibi e liquidi.
Accumulo di umidità sul frigorifero sulla superficie esterna o tra gli sportelli e il cassetto.	<ul style="list-style-type: none">• Il clima è troppo caldo e troppo umido.• Lo sportello non è chiuso ermeticamente. L'aria fredda all'interno dell'elettrodomestico e l'aria calda all'esterno formano condensa.	<ul style="list-style-type: none">• Ciò è normale in un clima umido; la situazione cambia quando l'umidità diminuisce.• Accertarsi che lo sportello o il cassetto sia chiuso bene.



Problema	Causa possibile	Soluzione possibile
Presenza di molto ghiaccio e brina nel comparto congelatore.	<ul style="list-style-type: none"> • Gli alimenti non sono stati confezionati adeguatamente. • Uno sportello o un cassetto dell'elettrodomestico non è chiuso bene. • Lo sportello o il cassetto è stato aperto troppo spesso o troppo a lungo. • Le guarnizioni dello sportello o del cassetto sono sporche, usurate, danneggiate o inadeguate. • Qualcosa all'interno impedisce la chiusura corretta dello sportello o del cassetto. 	<ul style="list-style-type: none"> • Confezionare sempre gli alimenti. • Chiudere lo sportello o il cassetto. • Non aprire lo sportello o il cassetto troppo spesso. • Pulire la guarnizione dello sportello o del cassetto oppure sostituirla. • Risistemare i ripiani, i cassetti incassati nello sportello o i contenitori interni per consentire la chiusura dello sportello o del cassetto.
I lati del vano e la striscia dello sportello si riscaldano.	<ul style="list-style-type: none"> • - 	<ul style="list-style-type: none"> • È normale.
L'elettrodomestico emette suoni anomali.	<ul style="list-style-type: none"> • L'elettrodomestico non è a livello. • L'elettrodomestico urta qualche oggetto vicino. 	<ul style="list-style-type: none"> • Regolare i piedini per collocare l'elettrodomestico a livello. • Rimuovere gli oggetti attorno all'elettrodomestico.
Si sente un lieve rumore, simile a quello dell'acqua che scorre.	<ul style="list-style-type: none"> • - 	<ul style="list-style-type: none"> • È normale.
Viene emesso un allarme acustico.	<ul style="list-style-type: none"> • Lo sportello del comparto frigorifero è aperto. 	<ul style="list-style-type: none"> • Chiudere lo sportello.
Viene emesso un lieve sibilo.	<ul style="list-style-type: none"> • È in funzione il sistema anticondensa 	<ul style="list-style-type: none"> • Ciò evita la formazione di condensa ed è normale
L'illuminazione interna o il sistema di raffreddamento non funziona.	<ul style="list-style-type: none"> • La spina non è collegata alla presa di corrente. • Problema della fonte di alimentazione. • La lampada a LED è fuori uso. 	<ul style="list-style-type: none"> • Collegare la spina alla presa di corrente. • Controllare l'alimentazione elettrica. Chiamare l'azienda elettrica locale. • Chiamare l'assistenza per la sostituzione.
Perdite o gocciolamenti d'acqua dal beccuccio dell'erogatore dell'acqua.	<ul style="list-style-type: none"> • Il serbatoio dell'acqua non è installato correttamente • Il beccuccio dell'erogatore dell'acqua non è avvitato saldamente al serbatoio. • Nell'erogatore dell'acqua non è presente l'O-ring in silicone bianco. 	<ul style="list-style-type: none"> • Rimontare il serbatoio dell'acqua nello sportello del frigorifero, accertandosi che sia spinto a fondo nello sportello. • L'erogatore dell'acqua è avvitato saldamente al serbatoio dell'acqua. • Verificare che l'erogatore dell'acqua sia dotato di un O-ring in silicone bianco all'estremità del serbatoio prima di montare l'erogatore sul serbatoio dell'acqua.



Per rivolgersi all'assistenza tecnica, visitare il nostro sito web: <https://corporate.haier-europe.com/en/>

Nella sezione "sito Web", scegliere la marca del proprio prodotto e il proprio paese. Si aprirà il sito Web specifico contenente il numero di telefono e il modulo per contattare l'assistenza tecnica.

Interruzione della corrente

In caso di interruzione della corrente, gli alimenti dovrebbero rimanere freddi in maniera sicura per circa 5 ore. Durante un'interruzione prolungata della corrente, soprattutto in estate, attenersi ai suggerimenti seguenti:

- ▶ Limitare al massimo l'apertura dello sportello o del cassetto.
- ▶ In caso di interruzione della corrente, non collocare altri alimenti nell'elettrodomestico.
- ▶ Se viene fornito un preavviso di interruzione della corrente di durata superiore a 5 ore, produrre un po' di ghiaccio e collocarlo nella parte superiore del comparto frigorifero.
- ▶ Dopo l'interruzione della corrente, è indispensabile controllare immediatamente gli alimenti.
- ▶ Siccome la temperatura nel frigorifero aumenta durante un'interruzione della corrente o in caso di altri guasti, il periodo di conservazione e la commestibilità degli alimenti si riducono. Per evitare rischi per la salute, gli alimenti che si scongelano devono essere immediatamente consumati oppure cotti e ricongelati (se possibile).



AVVISO: Funzione di memoria durante un'interruzione di corrente

Al ripristino della corrente, l'elettrodomestico riprende il funzionamento in base alle impostazioni precedenti.

Disimballo



AVVERTENZA!

- ▶ L'elettrodomestico è pesante. Per spostarlo occorrono almeno due persone.
- ▶ Tenere fuori dalla portata dei bambini tutti i materiali di imballaggio e smaltirli nel rispetto dell'ambiente.
- ▶ Estrarre l'elettrodomestico dall'imballo.
- ▶ Togliere tutti i materiali di imballo.

Condizioni ambientali

La temperatura ambiente deve essere sempre compresa tra 10 e 43 °C, poiché può influire sulla temperatura interna dell'elettrodomestico e sui consumi energetici. Non installare l'elettrodomestico vicino ad altri elettrodomestici che emettono calore (forni, frigoriferi) senza isolamento.

- Temperata estesa (SN): questo elettrodomestico è destinato all'uso con temperature ambiente comprese tra 10°C e 32°C;
- Temperata (N): questo elettrodomestico è destinato all'uso con temperature ambiente comprese tra 16 °C e 32 °C;
- Subtropicale (ST): questo elettrodomestico è destinato all'uso con temperature ambiente comprese tra 16°C e 38°C;

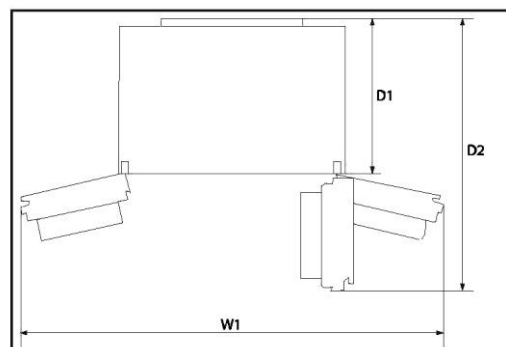
Spazio necessario

Spazio minimo quando lo sportello è aperto:

W1 = 157,8 cm

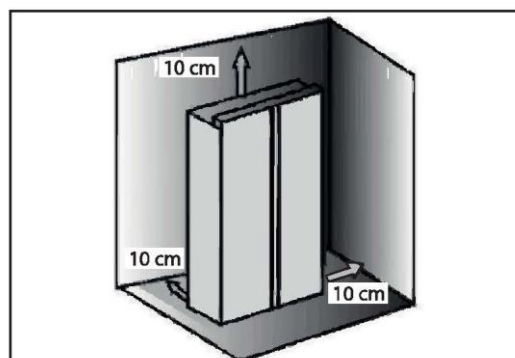
D1=62,9 cm

D2=117,3 cm



Sezione di ventilazione

Per ottenere una ventilazione sufficiente dell'elettrodomestico per motivi di sicurezza, attenersi alle indicazioni sulle sezioni di ventilazione.

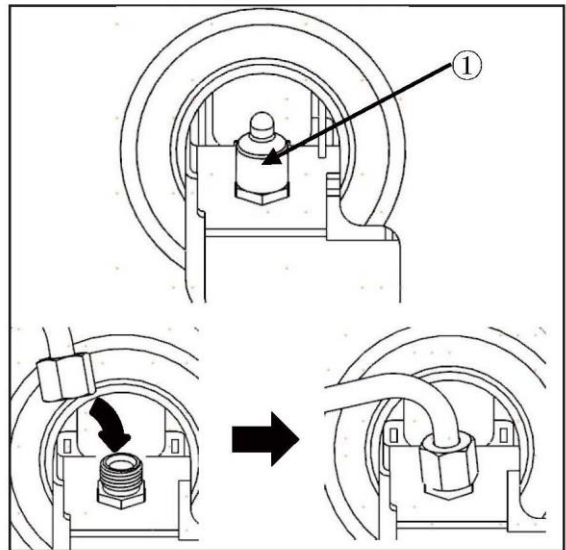


AVVISO

per gli elettrodomestici a libera installazione: questo elettrodomestico non è progettato per l'installazione a incasso.

Collegamento dell'acqua all'elettrodomestico

1. Rimuovere il tappo di gomma (1) dalla valvola di ingresso acqua.

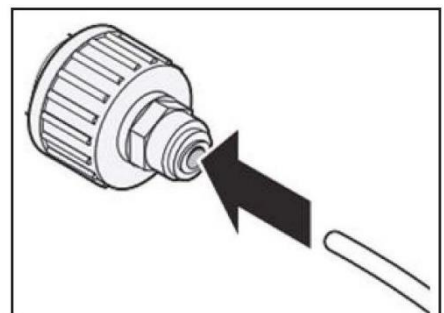


2. Spingere con decisione il tubo dell'acqua sulla valvola di ingresso acqua e serrare il dado a colletto. Questo tubo dell'acqua deve essere tagliato dal centro e utilizzato, mentre l'altra sezione viene utilizzata come pezzo di ricambio.

Collegamento al rubinetto dell'acqua

Questa funzione è disponibile soltanto su alcuni modelli.

1. Spingere il tubo dell'acqua nel foro del connettore del rubinetto fornito negli accessori. Il tubo deve essere tenuto saldamente mentre il connettore viene spinto sul tubo.
 2. Assicurarsi che la rondella di gomma sia montata all'interno del connettore del rubinetto prima di avvitarlo al rubinetto.
- ▶ Se il raccordo del rubinetto non corrisponde alla dimensione della filettatura del connettore fornito, potrebbe essere necessario acquistare un connettore o un adattatore separato.



Controllo del collegamento idrico

Questa funzione è disponibile soltanto su alcuni modelli.

- ▶ Aprire l'alimentazione idrica e accendere l'elettrodomestico. Controllare attentamente tutti i raccordi per rilevare eventuali perdite dovute a tubi montati in modo errato.
- ▶ Tenere premuto il tasto 3Sec. Filter Reset per tre secondi. Il nuovo filtro dell'acqua è stato attivato.
- ▶ Posizionare una tazza sotto l'erogatore dell'acqua per verificare che l'acqua scorra attraverso l'elettrodomestico.
- ▶ Controllare nuovamente la tenuta del tubo di collegamento e dei giunti.



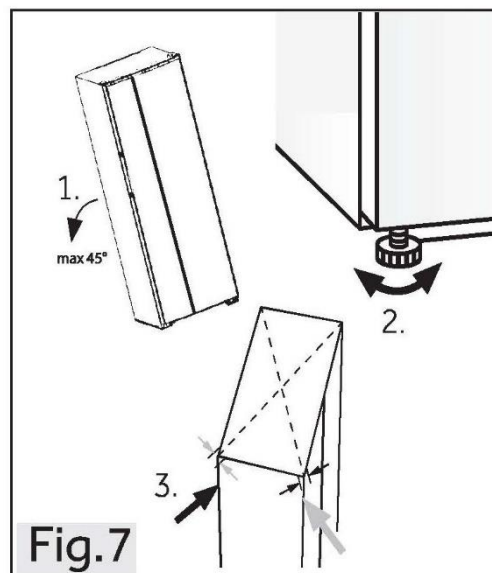
AVVERTENZA!

- ▶ Accertarsi sempre che i collegamenti siano saldi, asciutti e privi di perdite.
- ▶ Non schiacciare, piegare o attorcigliare il tubo.

Allineamento dell'elettrodomestico

Installare l'elettrodomestico su una superficie solida e piana.

1. Inclinare lievemente all'indietro l'elettrodomestico (Fig.7).
2. Regolare i piedini sul livello desiderato. Assicurarsi che la distanza dal muro sui lati delle cerniere sia di almeno 10 cm.
3. La stabilità può essere verificata spingendo diagonalmente l'elettrodomestico a destra e a sinistra. Il lieve ondeggiamento deve essere identico in entrambe le direzioni. In caso contrario, il telaio potrebbe deformarsi e le guarnizioni dello sportello potrebbero perdere. Una lieve inclinazione posteriore facilita la chiusura degli sportelli.

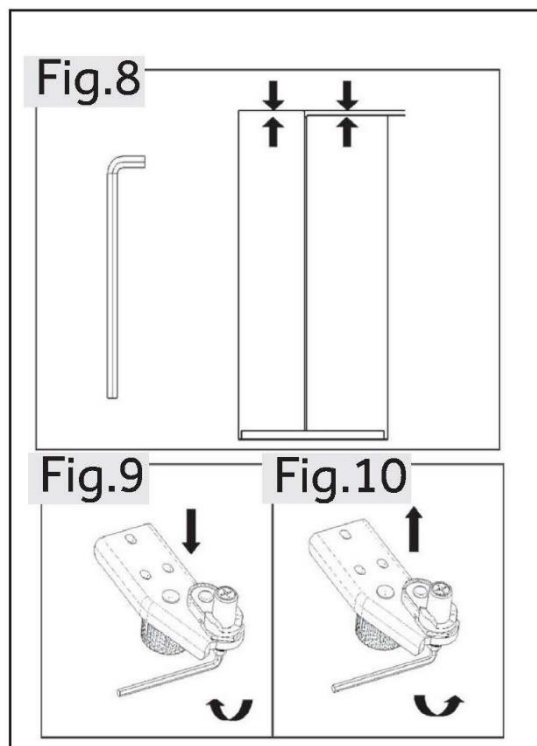


Regolazione precisa degli sportelli

Se gli sportelli non sono ancora a filo dopo averli livellati tramite i piedini, è possibile rimediare a questa discrepanza ruotando l'albero di sollevamento delle cerniere nell'angolo in basso a destra dello sportello del frigorifero con una chiave (Fig.8)

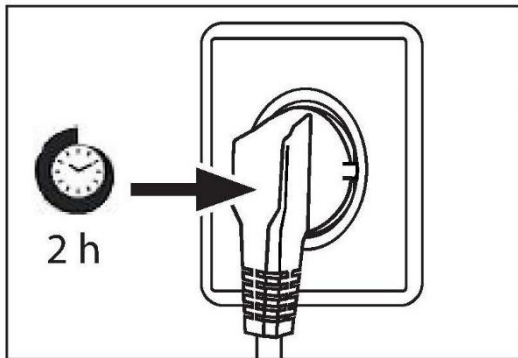
Ruotare in senso orario l'albero di sollevamento con la chiave per abbassare l'altezza dello sportello (Fig.9).

Ruotare in senso antiorario l'albero di sollevamento con la chiave fino all'altezza dello sportello (Fig.10).



**AVVERTENZA!**

Non regolare eccessivamente l'albero di sollevamento delle cerniere a un'altezza che potrebbe farlo uscire dalla sua posizione di blocco originale. (Intervallo di altezza regolabile: 3 mm)

**Tempo di attesa**

L'olio di lubrificazione esente da manutenzione si trova nella capsula del compressore. Questo olio può percorrere il sistema di tubazioni chiuse durante il trasporto. Prima di collegare l'elettrodomestico all'alimentazione elettrica, attendere almeno 2 ore in modo che l'olio torni nella capsula.

Collegamento elettrico**Prima di ogni collegamento, effettuare i seguenti controlli:**

- ▶ La fonte di alimentazione, la presa e i fusibili sono conformi ai dati indicati nella targhetta.
- ▶ La presa di corrente è collegata a terra e non sono utilizzate prese multiple o prolunghie.
- ▶ La spina e la presa di corrente sono compatibili.

Collegare la spina a una presa domestica installata correttamente.

**AVVERTENZA!**

Per evitare rischi, un cavo di alimentazione danneggiato deve essere sostituito dall'assistenza clienti (v. scheda di garanzia).

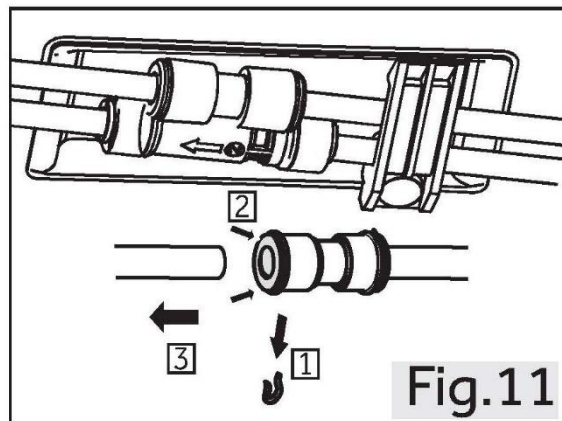
Rimozione e installazione degli sportelli

Nel caso in cui sia necessario rimuovere gli sportelli dell'elettrodomestico, seguire le istruzioni di rimozione e installazione delle porte riportate di seguito.

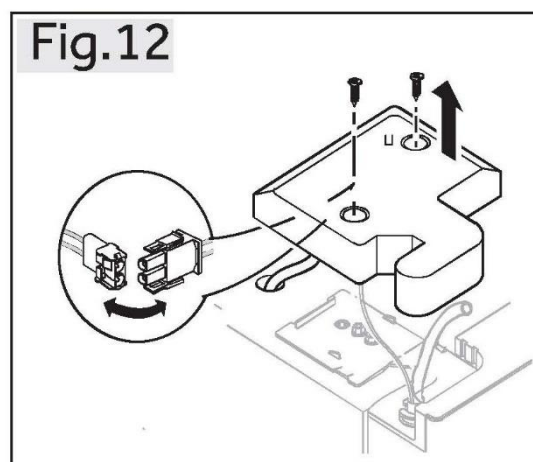
**AVVERTENZA!**

- ▶ Prima di effettuare qualsiasi operazione, spegnere l'elettrodomestico e staccare la spina dalla presa di corrente.
- ▶ Bloccare l'approvvigionamento idrico.
- ▶ L'elettrodomestico è pesante. Per spostarlo occorrono almeno due persone.
- ▶ Non inclinare l'elettrodomestico di oltre 45° né posizionarlo orizzontalmente sul pavimento.
- ▶ Durante questi passaggi, lo sportello potrebbe cadere e ferire le persone oppure danneggiarsi; prestare maggiore attenzione durante la rimozione e l'installazione degli sportelli.

1. Sganciare il lato sinistro dei due raccordi dell'acqua nell'angolo anteriore sinistro nella parte inferiore dell'elettrodomestico: tenere premuta la ghiera come mostrato e rimuovere il tubo dell'acqua. (Fig.11).



2. Svitare la vite di copertura della cerniera e rimuovere la copertura (Fig.12). Quando si rimuove lo sportello del congelatore, scollegare tutti i cavi tranne il cavo di messa a terra.

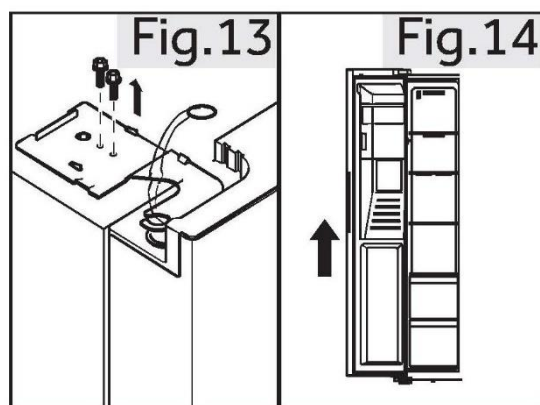


3. Svitare le viti che tengono in posizione la cerniera superiore e quindi rimuovere la cerniera (Fig.13).

4. Sollevare lo sportello per rimuoverlo (Fig. 14). Quando si rimuove lo sportello del congelatore, sollevarlo quanto basta per estrarre il raccordo dell'acqua dalla parte inferiore dell'elettrodomestico.

5. Rimontare lo sportello invertendo le fasi di rimozione. Assicurarsi che il cavo di messa a terra sia fissato dalla vite.

6. Rimontare il raccordo dell'acqua.




AVVISO: Sportello del frigorifero

Le immagini mostrano la rimozione dello sportello del vano congelatore. Per lo sportello del frigorifero utilizzare le parti corrispondenti sull'altro lato.



Specifiche del prodotto secondo il regolamento UE n. 2019/2016

Marchio	Haier
Nome / identificativo del modello	HSW59F18DIMM HSW79F18DIPT
Categoria del modello	Frigorifero-congelatore
Classe di efficienza energetica	D
Consumo energetico annuo (kWh/anno) ⁽¹⁾	267
Volume totale (litri)	601
Volume frigorifero (litri)	391
Volume congelatore (litri)	210
Prestazioni (stelle)	
Temperatura degli altri compartimenti > 14°C	Non applicabile
Sistema senza formazione di brina	Sì
Capacità di congelamento (kg/24 h)	10
Classe climatica ⁽²⁾	SN-N-ST
Classe di emissione di rumore ed emissioni acustiche aeree (db(A) re 1pW)	C(36)
Tempo di aumento della temperatura (h)	5
Capacità di produzione del ghiaccio	0,8 kg/24h
Tipo di elettrodomestico	Indipendente



Dati tecnici

Descrizioni:

• Si

(1) In base ai risultati del test di conformità agli standard per 24 ore. Il consumo effettivo dipende dall'uso e dalla posizione dell'elettrodomestico.

(2) Classe climatica SN: questo elettrodomestico è destinato all'uso con temperature ambiente comprese tra +10 °C e +32 °C

Classe climatica N: questo elettrodomestico è destinato all'uso con temperature ambiente comprese tra +16°C e +32°C

Classe climatica ST: questo elettrodomestico è destinato all'uso con temperature ambiente comprese tra +16°C e +38°C

Dati tecnici supplementari

Tensione / Frequenza	220-240 V~/50 Hz
Corrente di ingresso (A)	1.8
Alimentazione in ingresso sbrinamento (W)	220
Fusibile principale (A)	15
Refrigerante	R600a
Dimensioni (A/L/P in mm)	1775/905/726



Si consiglia di rivolgersi all'Assistenza Clienti Haier e di utilizzare ricambi originali.
In caso di problemi con l'elettrodomestico, consultare prima la sezione SOLUZIONE DEI PROBLEMI.

Se non si riesce a trovare una soluzione, contattare

- ▶ il rivenditore locale o
- ▶ lo European Call Service-Center (vedere i numeri di telefono elencati di seguito) o
- ▶ l'area Service & Support su www.haier.com dove è possibile chiedere assistenza
- ▶ e trovare risposte a domande frequenti.

Per contattare l'assistenza, procurarsi i dati seguenti.
Le informazioni si trovano sulla targhetta.

Modello _____

N. di serie _____

Controllare anche la scheda di garanzia fornita con il prodotto.

European Call Service-Center		
Paese*	Numero di telefono	Costi
Haier Italy (IT)	199 100912	
Haier Spain (ES)	902 509 123	
Haier Germany (DE)	0180539 39 99	<ul style="list-style-type: none">• 14 cent/min su linea fissa• max 42 cent/min su linea mobile
Haier Austria (AT)	0820 001 205	<ul style="list-style-type: none">• 14,53 cent/min su linea fissa• max 20 cent/min su altre linee
Haier United Kingdom (UK)	0333 003 8122	
Haier France (FR)	0980 406 409	



* Per altri paesi, fare riferimento al sito www.haier.com

Haier Europe Trading S.r.l

Filiale Regno Unito

Westgate House, Westgate, Ealing

London, W5 1YY

*Durata della garanzia dell'elettrodomestico:

Garanzia minima: 2 anni per i paesi UE, 3 anni per la Turchia, 1 anno per il Regno Unito, 1 anno per la Russia, 3 anni per la Svezia, 2 anni per la Serbia, 5 anni per la Norvegia, 1 anno per il Marocco, 6 mesi per l'Algeria; per la Tunisia non è obbligatoria alcuna garanzia legale.

*Periodo di disponibilità dei pezzi di ricambio per la riparazione dell'elettrodomestico:

termostati, sensori di temperatura, circuiti stampati e lampade rimangono disponibili per almeno sette anni dopo l'immissione sul mercato dell'ultima unità del modello.

Maniglie e cerniere degli sportelli, vassoi e cestelli rimangono disponibili per almeno di sette anni e le guarnizioni degli sportelli per almeno 10 anni dopo l'immissione sul mercato dell'ultima unità del modello.

*Per ulteriori informazioni sul prodotto, consultare <https://eprel.ec.europa.eu/> o effettuare una scansione del codice QR apposto sull'etichetta fornita con l'elettrodomestico.



Veiligheidsinformatie.....	226
Beoogd gebruik.....	231
Productbeschrijving.....	232
Bedieningspaneel.....	233
Gebruik.....	234
Apparatuur.....	247
Onderhoud en reiniging.....	249
Problemen oplossen.....	254
Installatie.....	258
Technische gegevens.....	263
Klantenservice.....	265



Bedankt voor de aankoop van dit Haier-product.

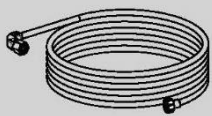
Lees deze instructies zorgvuldig door voordat u dit apparaat gebruikt. De instructies bevatten belangrijke informatie die u helpt het beste uit het apparaat te halen en veilige en correcte installatie, gebruik en onderhoud te waarborgen.

Bewaar deze handleiding op een handige plaats zodat u hem altijd kunt raadplegen voor een veilig en correct gebruik van het apparaat.

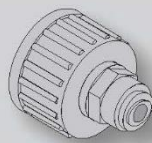
Als u het apparaat verkoopt, weggeeft of achterlaat wanneer u verhuist, zorg er dan voor dat u deze handleiding ook overdraagt, zodat de nieuwe eigenaar het apparaat en de veiligheidswaarschuwingen kan leren kennen.

Accessoires

Controleer de accessoires en literatuur in overeenstemming met deze lijst:



*Waterpijp



*Wateraansluiting



Energielabel



Garantiekaart



Snelle naslaggids



WAARSCHUWING – Belangrijke veiligheidsinformatie



LET OP – Algemene informatie en tips



Milieu-informatie



Verwijdering

Help het milieu en de menselijke gezondheid te beschermen. Doe de verpakking in de daarvoor bestemde containers om deze te recyclen. Help het afval van elektrische en elektronische apparaten te recyclen. Gooi apparaten met dit symbool niet weg bij het huisvuil. Lever het product in bij uw plaatselijke recyclingfaciliteit of neem contact op met uw gemeentekantoor.



WAARSCHUWING!

Gevaar voor letsel of verstikking!

Koelmiddelen en gassen moeten professioneel worden verwijderd. Controleer of de leidingen van het koelmiddelcircuit niet zijn beschadigd voordat ze op de juiste manier worden afgevoerd. Koppel het apparaat los van de stroomvoorziening. Knip het netsnoer af en gooi het weg. Verwijder de bakken en laden en de deurvergrendeling en -afdichtingen, om te voorkomen dat kinderen en huisdieren in het apparaat worden opgesloten.



Lees voordat u het apparaat voor het eerst inschakelt de volgende veiligheidstips:



WAARSCHUWING!

Vóór het eerste gebruik

- ▶ Controleer of er geen transportschade is.
- ▶ Verwijder alle verpakkingsmaterialen en houd ze buiten het bereik van kinderen.
- ▶ Wacht ten minste twee uur voordat u het apparaat installeert, om er zeker van te zijn dat het koelmiddelcircuit volledig werkt.
- ▶ Verplaats het apparaat altijd met ten minste twee personen, het is namelijk zwaar.

Installatie

- ▶ Het apparaat moet op een goed geventileerde plaats worden geplaatst. Zorg voor een ruimte van ten minste 10 cm boven en rond het apparaat.
- ▶ Plaats het apparaat nooit in een vochtige ruimte of op een plaats waar het met water kan worden bespat. Reinig en droog waterspatten en vlekken met een zachte, schone doek.
- ▶ Installeer het apparaat niet in direct zonlicht of in de buurt van warmtebronnen (bijv. kachels, verwarmingstoestellen).
- ▶ Installeer het apparaat waterpas op een plaats die geschikt is voor de grootte en het gebruik ervan.
- ▶ Zorg ervoor dat de ventilatieopeningen in het apparaat of in de ingebouwde constructie open blijven.
- ▶ Controleer of de elektrische informatie op het typeplaatje overeenkomt met de stroomvoorziening. Als dat niet het geval is, neem dan contact op met een elektricien.
- ▶ Het apparaat wordt gebruikt met een voeding van 220–240 VAC/50 Hz. Abnormale spanningsschommelingen kunnen ertoe leiden dat het apparaat niet start of dat de temperatuurregeling of de compressor beschadigd raakt of dat er tijdens het gebruik een abnormaal geluid optreedt. In dat geval moet er een automatische regelaar worden gemonteerd.
- ▶ Gebruik geen stekkerdozen en verlengkabels.
- ▶ Plaats niet meerdere draagbare stopcontacten of draagbare voedingen op de achterkant van het apparaat.
- ▶ Zorg ervoor dat de stroomkabel niet bekneld zit door de koelkast. Ga niet op de stroomkabel staan.



WAARSCHUWING!

- ▶ Gebruik een apart geaard stopcontact voor de stroomvoorziening, dat gemakkelijk toegankelijk is. Het apparaat moet geaard zijn.
Alleen voor het Verenigd Koninkrijk: Het netsnoer van het apparaat is voorzien van een 3-aderige (geaarde) stekker die past op een standaard 3-aderig (geaard) stopcontact. De derde pin (aarding) mag nooit worden afgesneden of gedemonteerd. Nadat het apparaat is geïnstalleerd, moet de stekker bereikbaar zijn.

- ▶ Beschadig het koelcircuit niet.

Dagelijks gebruik

- ▶ Dit apparaat mag worden gebruikt door kinderen vanaf 8 jaar en door personen met verminderde lichamelijke, zintuiglijke of geestelijke vermogens of met een gebrek aan kennis en ervaring, mits zij onder toezicht worden gehouden of instructies hebben gekregen om het apparaat veilig te kunnen gebruiken en de gevaren begrijpen die ermee gepaard gaan.
- ▶ Kinderen van 3 tot 8 jaar mogen wel inladen en uitladen, maar mogen koelapparatuur niet reinigen of installeren.
- ▶ Houd kinderen onder de 3 jaar uit de buurt van het apparaat, tenzij ze voortdurend onder toezicht staan.
- ▶ Kinderen mogen niet met het apparaat spelen.
- ▶ Als er koelgas of ander brandbaar gas in de buurt van het apparaat lekt, moet u het ventiel van het lekkende gas sluiten, de deuren en ramen openen en mag u de stekker van de koelkast of een ander apparaat niet uit het stopcontact halen of in een stopcontact steken.
- ▶ Let op, het apparaat is ingesteld om te werken bij een specifiek omgevings-temperatuurbereik van 10 tot 38°C. Het apparaat kan gedurende lange tijd bij een temperatuur boven of onder het aangegeven bereik niet goed werken.
- ▶ Plaats geen onstabiele voorwerpen (zware voorwerpen, containers gevuld met water) boven op de koelkast, om persoonlijk letsel door vallen of elektrische schokken door contact met water te voorkomen.
- ▶ Trek niet aan de deurschappen. De deur kan scheefgetrokken worden, het flessenrek kan eruit worden getrokken, of het apparaat kan omvallen.
- ▶ Open en sluit de deuren alleen met de handgrepen. De ruimte tussen de deuren en tussen de deuren en de kast is zeer smal. Steek uw handen niet in deze ruimtes, om te voorkomen dat uw vingers bekneld raken. Open of sluit de koelkastdeuren alleen als er geen kinderen zijn die zich binnen het bewegingsbereik van de deur bevinden.



WAARSCHUWING!

- ▶ Bewaar of gebruik in het apparaat of in de buurt ervan geen brandbare, explosieve of corrosieve materialen.
- ▶ Bewaar geen geneesmiddelen, bacteriën of chemische middelen in het apparaat. Dit is een huishoudelijk apparaat. Het wordt niet aanbevolen om materialen op te slaan die strikte temperaturen vereisen.
- ▶ Bewaar vloeistoffen in flessen of blikjes (met uitzondering van sterke drank), met name koolzuurhoudende dranken, nooit in de vriezer, omdat deze tijdens het invriezen barsten.
- ▶ Controleer de staat van het voedsel als er sprake van opwarming is geweest in de vriezer.
- ▶ Stel de temperatuur in het koelkastgedeelte niet onnodig laag in. Bij een hoge instelling kunnen temperaturen onder nul optreden. Let op: Flessen kunnen barsten
- ▶ Raak geen bevroren producten aan met natte handen (draag handschoenen). Eet vooral ijsjes niet onmiddellijk na verwijdering uit het vriezergedeelte op. Er bestaat het risico op bevriezing of vriesblaren. Eerste hulp: houd onmiddellijk onder de koude kraan. Niet lostrekken!
- ▶ Raak het binnenoppervlak van het vriezergedeelte niet aan wanneer het in werking is, vooral niet met natte handen, omdat uw handen aan het oppervlak vast kunnen vriezen.
- ▶ Haal de stekker van het apparaat uit het stopcontact wanneer er een stroomonderbreking optreedt of voordat u het schoonmaakt. Laat het apparaat minstens 7 minuten rusten voordat u het opnieuw opstart, omdat vaak starten de compressor kan beschadigen.
- ▶ Gebruik geen elektrische toestellen in de bewaarruimten voor levensmiddelen van het apparaat, tenzij deze van het type zijn dat door de fabrikant wordt aanbevolen. Onderhoud/reiniging
- ▶ Zorg ervoor dat kinderen onder toezicht staan als ze schoonmaak en onderhoud uitvoeren.
- ▶ Haal de stekker van het apparaat uit het stopcontact voordat u routineonderhoud uitvoert. Laat het apparaat minstens 5 minuten rusten voordat u het opnieuw opstart, omdat vaak starten de compressor kan beschadigen.



WAARSCHUWING!

- ▶ Houd de stekker vast, niet het snoer, wanneer u de stekker uit het stopcontact haalt.
- ▶ Reinig het apparaat niet met harde borstels, draadborstels, waspoeder, benzine, amylacetaat, aceton en soortgelijke organische oplossingen, zure of alkalische oplossingen. Reinig het apparaat met een speciaal reinigingsmiddel voor koelkasten om schade te voorkomen.
- ▶ Schraap vorst en ijs niet af met scherpe voorwerpen. Gebruik geen sprays, elektrische verwarmingstoestellen zoals haardrogers, stoomreinigers of andere warmtebronnen om schade aan de kunststof onderdelen te voorkomen.
- ▶ Gebruik geen mechanische apparaten of andere middelen om het ontdooien te versnellen, behalve als deze door de fabrikant worden aanbevolen.
- ▶ Als het netsnoer beschadigd is, moet het worden vervangen door de fabrikant, diens servicevertegenwoordiger of vergelijkbaar gekwalificeerde personen om gevaar te voorkomen.
- ▶ Probeer het apparaat niet zelf te repareren, te demonteren of aan te passen. Neem in geval van reparatie contact op met onze klantenservice.
- ▶ Verwijder het stof aan de achterkant van het toestel ten minste eenmaal per jaar om brandgevaar en een verhoogd energieverbruik te voorkomen.
- ▶ Spuit niet op het apparaat en spoel het niet af tijdens het reinigen.
- ▶ Gebruik geen waterstraal of stoom om het apparaat schoon te maken.
- ▶ Reinig de koude glazen planken niet met heet water. Door plotselinge temperatuurveranderingen kan het glas breken.

Informatie over koelgas



WAARSCHUWING!

Het apparaat bevat het brandbare koelmiddel ISOBUTAAN (R600a). Controleer of het koelcircuit tijdens transport of installatie niet is beschadigd. Lekkend koelmiddel kan oogletsel veroorzaken of ontbranden. Als er schade is opgetreden, weghouden van open vuurbronnen, de kamer grondig ventileren, de stekker van het apparaat of enig ander apparaat niet in het stopcontact steken of eruit halen. Informeer de klantenservice.

Als de ogen in contact komen met het koelmiddel, spoel het dan onmiddellijk onder stromend water af en bel onmiddellijk de oogspecialist.



Beoogd gebruik

Dit apparaat is bedoeld voor het koelen en invriezen van voedsel. Het is uitsluitend ontworpen voor gebruik in huishoudelijke en soortgelijke toepassingen, zoals personeelskeukens in winkels, kantoren en andere werkomgevingen; op boerderijen en door gasten in hotels, motels en andere woonomgevingen, maar ook in bed and breakfasts en bij cateringbedrijven. Het is niet bedoeld voor commercieel of industrieel gebruik.

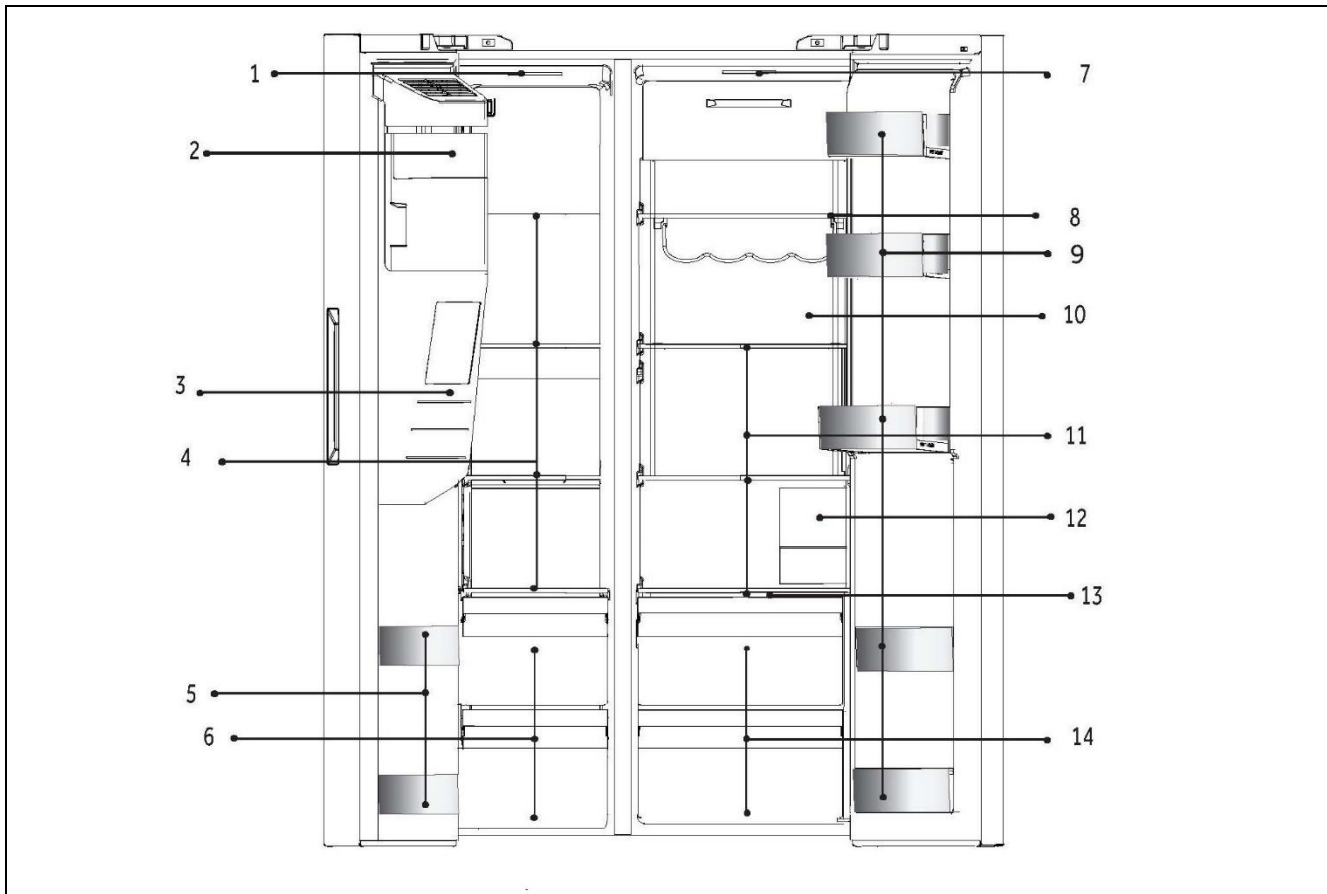
Wijzigingen of aanpassingen aan het apparaat zijn niet toegestaan. Onbedoeld gebruik kan risico's en verlies van garantieclaims veroorzaken.

Normen en richtlijnen en

Dit product voldoet aan de eisen van alle toepasselijke EG-richtlijnen met de bijbehorende geharmoniseerde normen en normen van het VK die voorzien in een CE- en UKCA-markering.

i Let op

Door technische wijzigingen en verschillende modellen kunnen sommige afbeeldingen in deze handleiding afwijken van uw model.



A: Vriezergedeelte

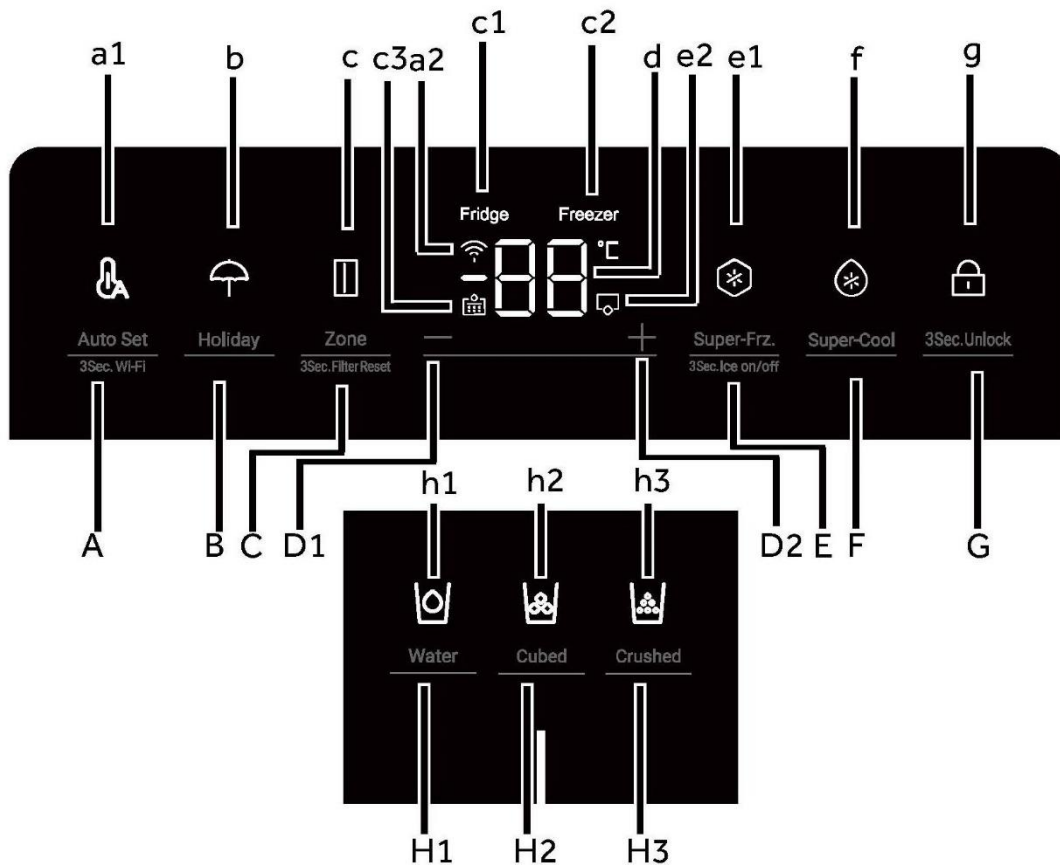
- 1 Plafondlamp
- 2 Ijsmaker met ijsreservoir
- 3 Water- en ijsdispenser
- 4 Glazen planken
- 5 Flessenhouder
- 6 Lades

B: Koelkastgedeelte

- 7 Plafondlamp
- 8 Wijnrek
- 9 Flessenhouder
- 10 Achterlicht (HSW79F18DIPT)
- 11 Glazen planken
- 12 Waterfilter
- 13 Afdekplaat voor natte zone
- 14 Lades



Bedieningspaneel



Toetsen:

- A 'Auto Set'-functie/3Sec.Wi-Fi
- B Functie 'Holiday'
- C Zoneselectie/3Sec.Filter Reset
- D1 Temperatuurinsteltoets '-'
- D2 Temperatuurinsteltoets '+'
- E 'Super-Freeze'-functie//3Sec. Ice on/off
- F Functie 'Super-Cool'
- G Keuzetoets paneelvergrendeling
- H1 Keuzetoets waterinlaatfunctie
- H2 Keuzetoets ijsblokjesfunctie
- H3 Keuzetoets ijsschilferfunctie

Indicatoren:

- a1 Auto Set-modus
- a2 Wififunctie
- b Holiday-modus
- c Zone-indicator
- c1 Koelkastindicator
- c2 Vriezerindicator
- c3 Filter Reset-functie
- d Temperatuurweergave
- e1 'Super-Freeze'-modus
- e2 IJsmakermodus
- f 'Super-Cool'-modus
- g Paneelvergrendeling
- h1 Waterinlaatfunctie
- h2 Ijsblokjesfunctie
- h3 IJsschilferfunctie



Vóór het eerste gebruik

- ▶ Verwijder alle verpakkingsmaterialen, houd ze buiten bereik van kinderen en gooi ze op een milieuvriendelijke manier weg.
- ▶ Reinig de binnen- en de buitenkant van het apparaat met water en een mild reinigingsmiddel voordat u er voedingsmiddelen in plaatst.
- ▶ Nadat het apparaat waterpas is gezet en is schoongemaakt, moet u minstens 2–5 uur wachten voordat u het aansluit op het elektriciteitsnet. Raadpleeg hoofdstuk INSTALLATIE.
- ▶ Koel de compartimenten op hoge instellingen voor voordat u het voedsel erin zet. De 'Power-Freeze'-functie helpt om de compartimenten snel af te koelen.
- ▶ De temperatuur van de koelkast en de vriezer worden automatisch ingesteld op respectievelijk 5°C en -18°C. Dit zijn de aanbevolen instellingen. Als u wilt, kunt u deze temperaturen handmatig veranderen. Raadpleeg DE TEMPERATUUR AANPASSEN.

Sensortoetsen

De toetsen op het bedieningspaneel zijn sensortoetsen, die al reageren als ze licht met de vinger worden aangeraakt.

Het apparaat in-/uitschakelen

Het apparaat werkt zodra het op de voeding is aangesloten.

De weergegeven temperaturen tonen de ingestelde temperaturen in het compartiment.

Mogelijk is de paneelvergrendeling actief.

Let op

Wanneer het apparaat wordt ingeschakeld nadat de stekker uit het stopcontact is gehaald, kan het tot wel 12 uren duren voordat de juiste temperaturen zijn bereikt.

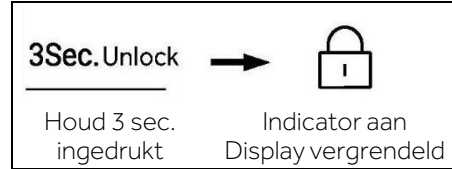
Leeg het apparaat voordat u het uitschakelt. Trek het netsnoer uit het stopcontact om het apparaat uit te schakelen.

LET OP

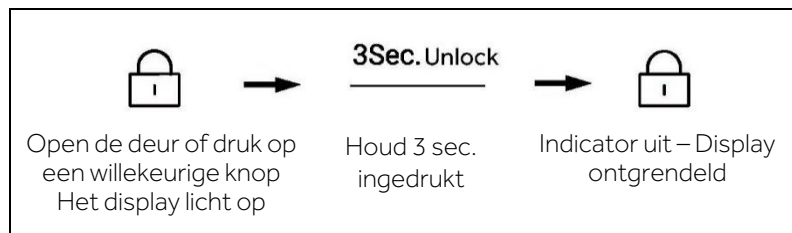
Wanneer de koelkast voor het eerst wordt ingeschakeld, gaat het indicatielampje branden. De temperatuur van de koelkast en de vriezer worden automatisch ingesteld op respectievelijk 5°C en -18°C.

Paneel vergrendelen/ontgrendelen

1. Automatische vergrendeling: Wanneer de koelkastdeur en de vriezerdeur gesloten zijn en er binnen 30 seconden geen toetsbediening is, gaat het display automatisch uit en wordt het vergrendeld.



2. Handmatige vergrendeling: Wanneer het display is ontgrendeld, drukt u op de toets 'G' (keuzetoets paneelvergrendeling) en houdt u deze 3 seconden ingedrukt. De zoemer klinkt eenmaal, de indicator 'g' (paneelvergrendeling) gaat branden en het display is vergrendeld.



De temperatuur aanpassen

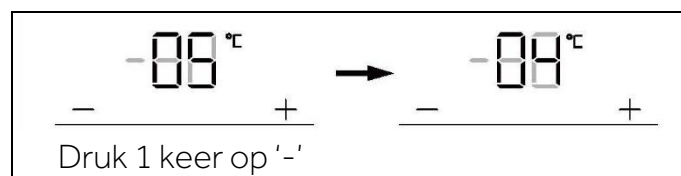
De binnentemperaturen worden beïnvloed door de volgende factoren:

- ▶ Omgevingstemperatuur
- ▶ Frequentie van het openen van de deur
- ▶ Hoeveelheid opgeslagen voedsel
- ▶ Installatie van het apparaat

De koelkasttemperatuur aanpassen

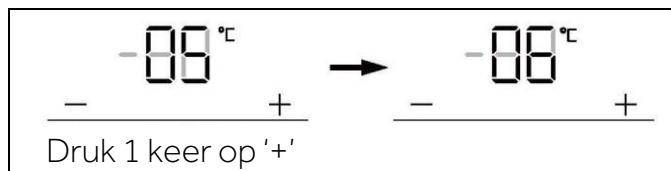
1. Wanneer het scherm is ontgrendeld, drukt u op de toets 'C' (keuzetoets zone). De zoemer klinkt eenmaal, de indicator 'c1' (koelkastindicator) knippert en dan verschijnt de temperatuurinstelmodus van de koelkast.

2. Druk herhaaldelijk op de toets 'D1' (temperatuurinsteltoets '-'), elke keer klinkt de zoemer eenmaal en wordt de ingestelde temperatuur van de koelkast verlaagd met 1 graad. De koelkasttemperatuur wordt weergegeven in de volgorde van '9°C -> 8°C -> 7°C -> 6°C -> 5°C -> 4°C -> 3°C -> 2°C -> 1°C'.



De koelkasttemperatuur aanpassen

3. Druk herhaaldelijk op de toets 'D2' (temperatuurinsteltoets '+'), elke keer klinkt de zoemer eenmaal en wordt de ingestelde temperatuur van de koelkast verhoogd met 1 graad. De koelkasttemperatuur wordt weergegeven in de volgorde van '1°C -> 2°C -> 3°C -> 4°C -> 5°C -> 6°C -> 7°C -> 8°C -> 9°C'.



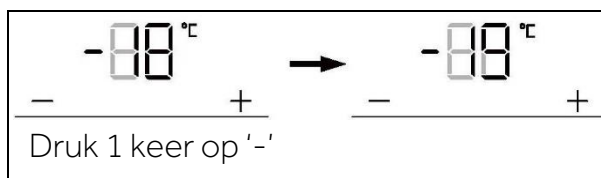
i Let op

Na het instellen van de temperatuur, als er binnen 5 seconden geen handeling plaatsvindt, wordt het systeem automatisch bepaald en de ingestelde temperatuur opgeslagen.

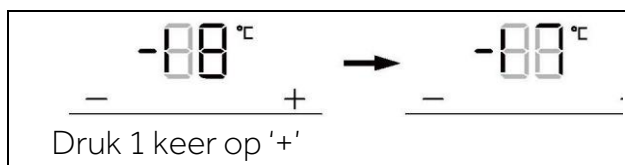
De vriezertemperatuur aanpassen

1. Wanneer het scherm is ontgrendeld, drukt u op de toets 'C' (keuzetoets zone). De zoemer klinkt eenmaal, de indicator 'c2' (vriezerindicator) knippert en dan verschijnt de temperatuurinstelmodus van de vriezer.

2. Druk herhaaldelijk op de toets 'D1' (temperatuurinsteltoets '-'), elke keer klinkt de zoemer eenmaal en wordt de ingestelde temperatuur van de vriezer verlaagd met 1 graad. De vriezertemperatuur wordt weergegeven in de volgorde van '-14°C -> -15°C -> -16°C -> -17°C -> -18°C -> -19°C -> -20°C -> -21°C -> -22°C -> -23°C -> -24°C'.



3. Druk herhaaldelijk op de toets 'D2' (temperatuurinsteltoets '+'), elke keer klinkt de zoemer eenmaal en wordt de ingestelde temperatuur van de vriezer verhoogd met 1 graad. De vriezertemperatuur wordt weergegeven in de volgorde van '-24°C -> -23°C -> -22°C -> -21°C -> -20°C -> -19°C -> -18°C -> -17°C -> -16°C -> -15°C -> -14°C'.

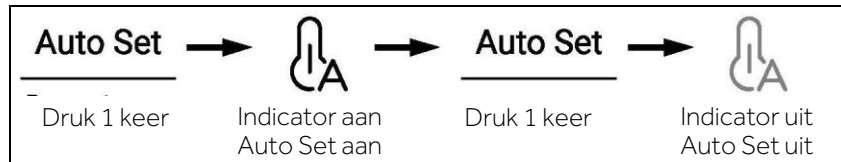


i Let op

Na het instellen van de temperatuur, als er binnen 5 seconden geen handeling plaatsvindt, wordt het systeem automatisch bepaald en de ingestelde temperatuur opgeslagen.

Auto Set-modus

1. Wanneer het display is ontgrendeld, drukt u op de toets 'A' (keuzetoets Auto Set-modus). De zoemer klinkt eenmaal, de indicator 'a1' (Auto Set-modus) gaat branden en de Auto Set-functie wordt ingeschakeld.
2. Wanneer de indicator 'a1' (Auto Set-modus) brandt, drukt u op de toets 'A' (keuzetoets Auto Set-modus). De zoemer klinkt eenmaal, de indicator 'a1' (Auto Set-modus) gaat uit en de Auto Set-functie wordt uitgeschakeld.



Let op

In de Auto Set-modus kan de koelkast- of vriestemperatuur niet worden aangepast. Als de toets 'D1' (temperatuurinsteltoets '-') of toets 'D2' (temperatuurinsteltoets '+') wordt ingedrukt om de temperatuur van de koelkast of vriezer aan te passen, knippert de indicator 'a1' (Auto Set-indicator) met een snel geluid om aan te geven dat deze handeling niet kan worden uitgevoerd.

Als in de Auto Set-modus de functie 'Super-Cool', 'Super-Freezer' of 'Holiday' wordt ingesteld, gaat vanwege verschillende bedieningsmethoden de indicator 'a1' (Auto Set-modus) uit en wordt de Auto Set-functie automatisch verlaten.

De Holiday-modus (vakantiemodus)

De Holiday-modus is ontworpen voor als de koelkast langere tijd niet wordt gebruikt. Wanneer de Holiday-modus is ingeschakeld, werkt de vriezer als normaal en wordt de temperatuur van de koelkast automatisch ingesteld op 17°C. De daadwerkelijke temperatuur is niet hoger dan 17°C, wat een nare geur veroorzaakt door een te hoge temperatuur voorkomt en tegelijkertijd helpt het energieverbruik te verminderen.

1. Wanneer het display is ontgrendeld, drukt u op de toets 'B' (keuzetoets Holiday-modus). De zoemer klinkt eenmaal, de indicator 'b' (Holiday-modus) gaat branden en de Holiday-functie wordt ingeschakeld.
2. Wanneer de indicator 'b' (Holiday-modus) brandt, drukt u op de toets 'B' (keuzetoets Holiday-modus). De zoemer klinkt eenmaal, de indicator 'b' (Holiday-modus) gaat uit en de Holiday-functie wordt uitgeschakeld.



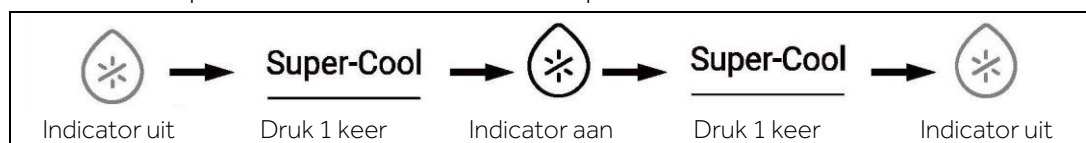
Let op

In de Holiday-toestand kan de koelkasttemperatuur niet worden aangepast. Als de toets 'D1' (temperatuurinsteltoets '-') of toets 'D2' (temperatuurinsteltoets '+') wordt ingedrukt om de temperatuur van de koelkast aan te passen, knippert de indicator 'b' (Holiday-indicator) met een snel geluid om aan te geven dat deze handeling niet kan worden uitgevoerd.

Voordat u de Holiday-functie gebruikt, moet u de koelkast leegmaken om te voorkomen dat het voedsel erin bederft. Wanneer de Holiday-functie is ingeschakeld, kunnen de functies 'Auto Set' en 'Super-Cool' niet tegelijkertijd worden ingeschakeld.

Super-Cool-functie

1. Wanneer het display is ontgrendeld, drukt u op de toets 'F' (keuzetoets Super-Cool). De zoemer klinkt eenmaal, de indicator 'f' (Super-Cool-functie) gaat branden en de Super-Cool-functie wordt ingeschakeld.
2. Wanneer de indicator 'f' (Super-Cool-functie) brandt, drukt u op de toets 'F' (keuzetoets Super-Cool). De zoemer klinkt eenmaal, de indicator 'f' (Super-Cool-functie) gaat uit en de Super-Cool-functie wordt uitgeschakeld.
3. Nadat de Super-Cool-functie is ingeschakeld, schakelt de koelkast automatisch de functie uit wanneer deze de ingestelde toestand bereikt. Als u de functie handmatig wilt verlaten, kunt u op de toets 'F' (keuzetoets Super-Cool) drukken om hem uit te schakelen.



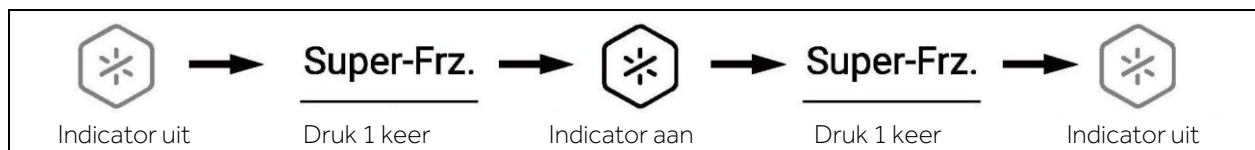
Let op

In de Super-Cool-toestand kan de koelkasttemperatuur niet worden aangepast. Als de toets 'D1' (temperatuurinsteltoets '-') of toets 'D2' (temperatuurinsteltoets '+') wordt ingedrukt om de temperatuur van de koelkast aan te passen, knippert de indicator 'f' (Super-Cool-indicator) met een snel geluid om aan te geven dat deze handeling niet kan worden uitgevoerd.

In de Super-Cool-functie kan de Auto-Set-functie of de Holiday-functie niet tegelijkertijd worden ingeschakeld vanwege verschillende bedieningsmodi. Wanneer u een functie kiest die in strijd is met een andere functie, zal de oorspronkelijke functie automatisch worden verlaten.

De Super-Freeze-functie (Super-Frz)

1. Wanneer het display is ontgrendeld, drukt u op de toets 'E' (keuzetoets Super-Frz.). De zoemer klinkt eenmaal, de indicator 'e1' (Super-Freeze-functie) gaat branden en de Super-Freeze-functie wordt ingeschakeld.
2. Wanneer de indicator 'e1' (Super-Freeze-functie) brandt, drukt u op de toets 'E' (keuzetoets Super-Frz.). De zoemer klinkt eenmaal, de indicator 'e1' (Super-Freeze-functie) gaat uit en de Super-Freeze-functie wordt uitgeschakeld.
3. Nadat de Super-Freeze-functie is ingeschakeld, schakelt de koelkast automatisch de functie uit wanneer deze de ingestelde toestand bereikt. Als u de functie handmatig wilt verlaten, kunt u op de toets 'E' (keuzetoets Super-Frz.) drukken om hem uit te schakelen.



Let op

In de Super-Freeze-toestand kan de vriezertemperatuur niet worden aangepast. Als de toets 'D1' (temperatuurinsteltoets '-') of toets 'D2' (temperatuurinsteltoets '+') wordt ingedrukt om de temperatuur van de vriezer aan te passen, knippert de indicator 'e1' (Super-Frz.-indicator) met een snel geluid om aan te geven dat deze handeling niet kan worden uitgevoerd.

In de Super-Freeze-functie kan de Auto-Set-functie niet tegelijkertijd worden ingeschakeld vanwege verschillende bedieningsmodi. Wanneer u een functie kiest die in strijd is met een andere functie, zal de oorspronkelijke functie automatisch worden verlaten.

De filterfunctie

Wanneer de koelkast zes maanden in werking is, zal de herinneringsindicator 'c3' (Filter Reset-functie) gaan branden om gebruikers eraan te herinneren het filter te vervangen door een nieuwe. Houd als het filter is vervangen de toets 'C' (keuzetoets Filter Reset-functie) 3 seconden ingedrukt om de herinnering te annuleren. De timer wordt gereset en de zoemer klinkt.

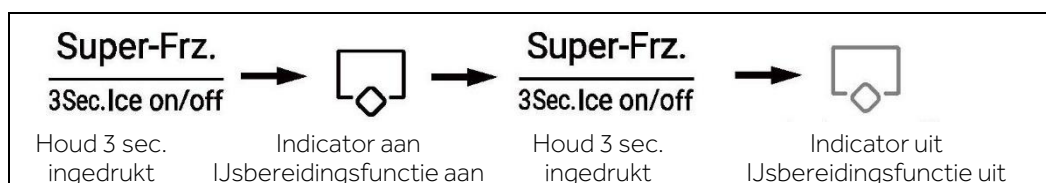


Let op

De normale levensduur van een filter is zes maanden. Het wordt aangeraden het filter om de zes maanden te vervangen.

De ijsmakermodus

1. Druk in ontgrendelde toestand op de toets 'E' (keuzetoets ijsmakermodus) en houd 3 seconden ingedrukt. De zoemer klinkt eenmaal, de indicator 'e2' (ijsmakermodus) gaat branden en de ijsmakermodus wordt ingeschakeld.
2. Wanneer de indicator 'e2' (ijsmakermodus) brandt, drukt u op de toets 'E' (keuzetoets ijsmakermodus) en houd 3 seconden ingedrukt. De zoemer klinkt eenmaal, de indicator 'e2' (ijsmakermodus) gaat uit en de ijsmakermodus wordt uitgeschakeld.



Let op

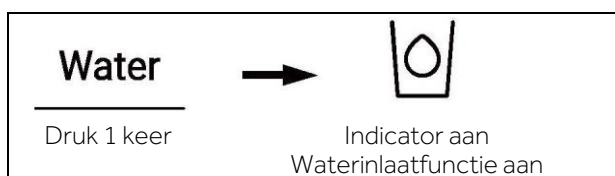
Wanneer de toepassing wordt ingeschakeld, staat de ijsmaker standaard uit.

Wanneer u gedurende langere tijd geen ijsblokjes nodig heeft, schakel dan de ijsmakerfunctie uit, maak het reservoir leeg en plaats het schoongemaakte reservoir terug.

De ijsmaker kan alleen worden geconfigureerd door de fabrikant of worden gekocht bij diens servicevertegenwoordiger.

De waterinlaatfunctie

Druk in willekeurige toestand (vergrendeld of ontgrendeld) op de toets 'H1' (keuzetoets waterinlaatfunctie). De zoemer klinkt eenmaal, de indicator 'h1' (waterinlaatfunctie) gaat branden en de waterinlaatfunctie wordt ingeschakeld.



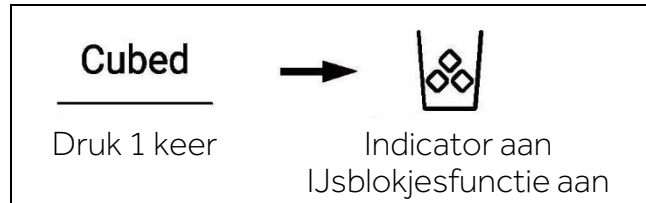
Let op

1. Wanneer de indicator 'h1' (Waterinlaatfunctie) brandt, gaan de indicator 'h2' (ijsblokjesfunctie) en de indicator 'h3' (ijsschilferfunctie) uit. Nadat de dispenserplaat is ingedrukt, stroomt het water uit de inlaatpoort.
2. Wanneer de toevoertijd van het water 150 sec. bereikt, zal de koelkast piepen en water blijven opnemen tot de tijd 180 sec. bereikt. Het water wordt afgesloten en het waterventiel gaat de beschermingstijd van 200 sec. in, waarna de watertoevoer opnieuw kan worden uitgevoerd.
3. Wanneer de toevoertijd van het water 5 min bereikt in een tijdsbestek van maximaal 10 min, dan gaat het waterventiel de beschermingstijd van 10 min. in en kan de watertoevoer vervolgens opnieuw worden uitgevoerd.



De ijsblokjesfunctie

Druk in willekeurige toestand (vergrendeld of ontgrendeld) op de toets 'H2' (keuzetoets ijsblokjesfunctie). De zoemer klinkt eenmaal, de indicator 'h2' (ijsblokjesfunctie) gaat branden en de ijsblokjesfunctie wordt ingeschakeld.

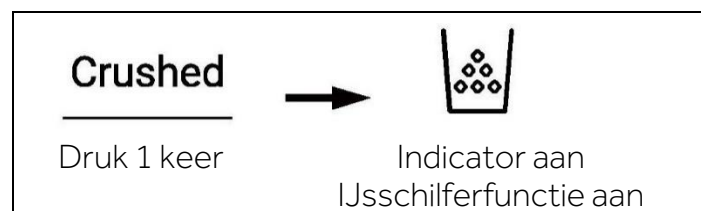


Let op

1. Wanneer de indicator 'h2' (ijsblokjesfunctie) brandt, gaan de indicator 'h1' (waterinlaatfunctie) en de indicator 'h3' (ijsschilferfunctie) uit. Nadat de microschakelaar van de dispenser is ingedrukt, stromen de ijsblokjes uit de inlaatpoort.
2. Wanneer de ijsmaker voor het eerst wordt aangesloten op de elektriciteit, wordt de ijsblokjesfunctie standaard uitgeschakeld.
3. Druk op de microschakelaar van de dispenser, het lampje gaat branden en het deksel gaat open. Daarna begint de motor van het malen van ijs linksom te draaien om ijsblokjes te drukken. Laat de microschakelaar van de dispenser los. De motor van het ijsbreken stopt, het deksel van de dispenser sluit en het lampje gaat na 5 seconden uit.
4. Als in de ijsblokjestoestand de tijd voor ijsblokjes langer is dan 50 seconden, dan waarschuwt de zoemer gebruikers om te stoppen. Wanneer de tijd 1 minuut bereikt, wordt de machine gedwongen te stoppen met het afgeven van ijsblokjes en is weer effectief wanneer de schakelaar de volgende keer wordt ingedrukt.
5. Als tijdens het afgeven van ijsblokjes de koelkastdeur wordt geopend, dan stopt de motor die het ijs levert; het deksel van de dispenser gaat dicht, het lampje van de dispenser gaat uit en de afgifte van de ijsblokjes wordt gestopt.
6. Het is niet toegestaan ijs te pakken met de koelkastdeur open.

Ijsschilferfunctie

Druk in willekeurige toestand (vergrendeld of ontgrendeld) op de toets 'H3' (keuzetoets ijsschilferfunctie). De zoemer klinkt eenmaal, de indicator 'h3' (ijsschilferfunctie) gaat branden en de ijsschilferfunctie wordt ingeschakeld.



i Let op

Wanneer de indicator 'h3' (ijsschilferfunctie) brandt, gaan de indicator 'h1' (waterinlaatfunctie) en de indicator 'h2' (ijsblokjesfunctie) uit. Nadat de microschakelaar van de dispenser is ingedrukt, stromen de ijsschilfers uit de inlaatpoort.

Druk op de microschakelaar van de dispenser, het lampje gaat branden en het deksel gaat open. Daarna begint de motor van het malen van ijs rechtsom te draaien om ijsblokjes te drukken. Laat de microschakelaar van de dispenser los. De motor van het ijsbreken stopt, het deksel van de dispenser sluit en het lampje gaat na 5 seconden uit.

Als in de ijsschilfertoestand de tijd voor ijsschilfers langer is dan 50 seconden, dan waarschuwt de zoemer gebruikers om te stoppen. Wanneer de tijd 1 minuut bereikt, wordt de machine gedwongen te stoppen met het afgeven van ijsschilfers en is weer effectief wanneer de schakelaar de volgende keer wordt ingedrukt.

Als tijdens het afgeven van ijsschilfers de koelkastdeur wordt geopend, dan stopt de motor die het ijs levert; het deksel van de dispenser gaat dicht, het lampje van de dispenser gaat uit en de afgifte van de ijsschilfers wordt gestopt.

Het is niet toegestaan ijsschilfers te maken met de koelkastdeur open.

Alarm 'Deur open'

Als een deur te lang open staat of de deur niet goed is gesloten, zal de koelkast met vaste intervallen een pieptoon laten klinken om u eraan te herinneren de deur op tijd te sluiten.

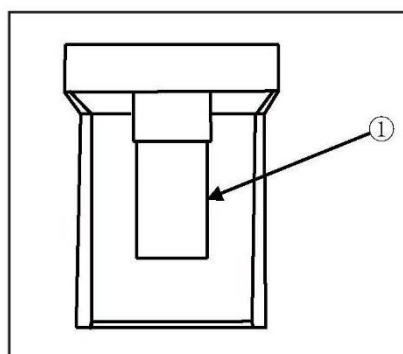
Uitschakelgeheugen

De werkingstoestand ten tijde van uitschakeling wordt onthouden. Nadat het apparaat weer ingeschakeld is, werkt het nog steeds volgens de instellingen van voordat het apparaat werd uitgeschakeld.

Gebruik van de ijs- en waterdispenser

Druk meerdere malen op de selectietoets van de dispenser tot boven het lampje dat u wilt oplicht.

Druk met een glas of andere houder tegen de dispenserplaat (1) om ijsblokjes, water of ijsschilfers te pakken.

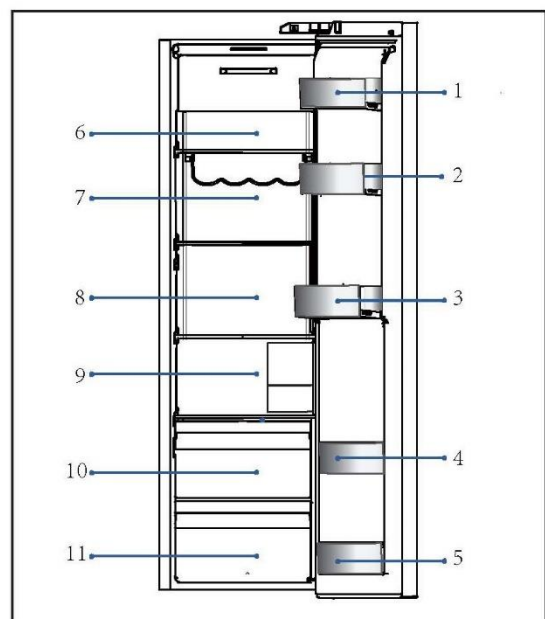


TIPS VOOR HET BEWAREN VAN VERS VOEDSEL

Bewaren in het koelkastcompartiment

1. Houd de koelkasttemperatuur lager dan 5°C.
2. Laat warm voedsel afkoelen tot kamertemperatuur voordat u het in het apparaat opbergt.
3. In de koelkast opgeslagen levensmiddelen moeten worden gewassen en afgedroogd voordat zij worden opgeborgen.
4. Het te bewaren voedsel moet goed afgesloten zijn om geur- of smaakveranderingen te voorkomen.
5. Bewaar geen overmatige hoeveelheden voedsel. Laat ruimtes tussen voedingswaren zodat er koude lucht omheen kan stromen, voor een betere en gelijkmatiger koeling.
6. Voedsel dat dagelijks wordt gegeten moet worden bewaard aan de voorkant van de plank.
7. Laat ruimte tussen voedingswaren en de binnenwanden, zodat lucht kan stromen. Bewaar vooral geen voedsel tegen de achterwand: voedsel kan tegen achterwand bevroren. Vermijd direct contact tussen voedsel (met name vette of zure voedingsproducten) met de binnenvoering, omdat olie/zuur de binnenvoering kan beschadigen. Haal vettig en zuur vuil altijd weg wanneer het wordt ontdekt.
8. Ontdooi bevroren voedsel in het koelkastgedeelte. Op deze manier kunt u het ingevroren voedsel gebruiken om de temperatuur in het compartiment te verlagen en energie te besparen.
9. Het rijpingsproces van groenten en fruit zoals courgette, meloen, papaja, banaan, ananas, etc. kan in de koelkast versneld worden. Daarom is het niet aan te raden om deze in de koelkast te bewaren. Het rijpen van onrijp fruit kan echter wel worden versneld gedurende een bepaalde periode. Uien, knoflook, gember en andere wortelgroenten moeten ook bij kamertemperatuur worden bewaard.
10. Onaangename geurtjes in de koelkast zijn een teken dat er iets is gemorst en moet worden schoongemaakt. Zie ONDERHOUD EN REINIGING.
11. Verschillende soorten voedingswaren moeten op verschillende plaatsen worden geplaatst naargelang de eigenschappen ervan:

- 1- Boter, kaas, etc.
- 2- Eieren, conserven, specerijen, etc.
- 3/4/5- Dranken en voedingsmiddelen in een fles.
- 6- Ingemaakt voedingsmiddelen, conserven, etc.
- 7/8- Vleesproducten, vis, rauw voedsel
- 9- Blikjes, zuivelproducten, etc.
- 10- Fruit, groenten, sla, etc.
- 11- Gekookt vlees, worstjes, etc.

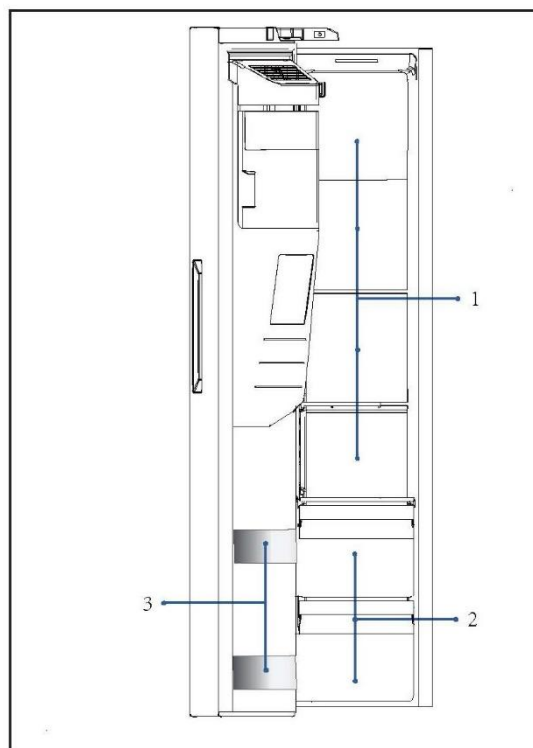


TIPS VOOR HET BEWAREN VAN VERS VOEDSEL

Bewaren in het vriezergedeelte

1. Houd de temperatuur van de vriezer op -18°C .
2. Schakel 12 uur voor het invriezen van extra producten de Super-Freeze-functie in. Voor kleine hoeveelheden voedsel is 4–6 uur voldoende.
3. Warm voedsel moet eerste worden afgekoeld tot kamertemperatuur voordat het in het vriezergedeelte kan worden bewaard.
4. Voedsel dat in kleine porties is gesneden zal sneller bevroren en is gemakkelijker te ontdooien en bereiden. Het aanbevolen gewicht per portie bedraagt minder dan 2,5 kg.
5. Het is beter om voedsel te verpakken voordat u het in de vriezer plaatst. De buitenkant van de verpakking moet droog zijn om te voorkomen dat de zakken aan elkaar blijven plakken. Verpakkingsmaterialen moeten geurvrij, luchtdicht, niet-giftig en niet-toxisch zijn.
6. Schrijf om overschrijden van de houdbaarheidstermijnen te voorkomen de invriesdatum, de tijdlimiet en de naam van het voedsel op de verpakking volgens de bewaartermijnen van de verschillende levensmiddelen.
7. **WAARSCHUWING!:** Zuren, basen en zout, etc. kunnen het interne oppervlak van de vriezer wegvreten. Plaats voedsel met deze stoffen (bijv. vis uit de zee) niet direct tegen de binnenzijde. Zout water in de diepvriezer moet onmiddellijk worden verwijderd.
8. Overschrijd niet de door de fabrikanten aanbevolen bewaartijden van levensmiddelen. Neem alleen de benodigde hoeveelheid voedsel uit de vriezer.
9. Verschillende soorten voedingswaren moeten op verschillende plaatsen worden geplaatst naargelang de eigenschappen ervan:

- 1- Minder zware artikelen, zoals ijs, groenten, brood, etc.
- 2- Grote/zwaardere porties voedsel, zoals braadstukken van vlees
- 3- Pizza, etc.





LET OP: OPSLAG

1. Houd een afstand van meer dan 10 mm aan tussen het voedsel en de sensor om het koelingseffect te garanderen.
2. Laat de onderste lade in het apparaat zitten wanneer het aan staat, om het koelingseffect te garanderen.
3. Levensmiddelen met ijs (zoals roomijs) moeten in het vriezergedeelte worden bewaard in plaats van in de flessenhouders. De temperatuurschommelingen waaraan de flessenhouders worden blootgesteld, veroorzaakt door het openen en sluiten van de deur, kunnen het voedsel doen ontdooien.
4. Gebruik ontdooide etenswaren zo snel mogelijk. Ontdooid voedsel kan niet opnieuw worden ingevroren tenzij het eerst wordt gekookt, anders kan het oneetbaar worden.
5. Plaats geen overmatige hoeveelheden vers voedsel in het vriezergedeelte. Zie de vriescapaciteit van de diepvriezer – zie TECHNISCHE GEGEVENS of de gegevens op het typeplaatje.
6. Levensmiddelen kunnen bij een temperatuur van ten minste -18°C gedurende 2 tot 12 maanden in de vriezer worden bewaard, afhankelijk van de eigenschappen (bijv. vlees: 3–12 maanden, groenten: 6–12 maanden).
7. Vermijd bij het invriezen van vers voedsel dat het in contact komt met al ingevroren levensmiddelen. Risico op ontdooien!
8. Ontdooi bevroren voedsel in de koelkast. Op deze manier kunt u het ingevroren voedsel gebruiken om de temperatuur in het compartiment te verlagen en energie te besparen.

Volg de volgende richtlijnen bij het opslaan van commercieel ingevroren levensmiddelen:

1. Volg altijd de richtlijnen van de fabrikanten voor hoe lang u het voedsel kunt bewaren. Overschrijd deze richtlijnen niet!
2. Probeer de tijd tussen aankoop en opslag zo kort mogelijk te houden om de voedselkwaliteit te behouden.
3. Koop alleen diepvriesproducten die bij een temperatuur van -18°C of lager zijn bewaard.
4. Vermijd het kopen van voedsel dat ijs of rijp op de verpakking heeft. Dit wijst erop dat de producten op een bepaald moment gedeeltelijk ontdooid en opnieuw ingevroren kunnen zijn – temperatuurstijgingen hebben invloed op de kwaliteit van het voedsel.



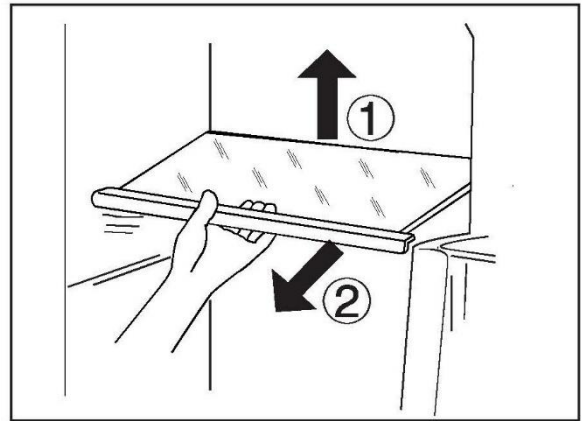
Tips voor energiebesparing

- ▶ Zorg ervoor dat het apparaat goed wordt geventileerd (raadpleeg INSTALLATIE).
- ▶ Installeer het apparaat niet in direct zonlicht of in de buurt van warmtebronnen (bijv. kachels, verwarmingstoestellen).
- ▶ Vermijd onnodig lage temperaturen in het apparaat. Het energieverbruik neemt toe naarmate de temperatuur in het apparaat lager is ingesteld.
- ▶ Functies zoals de POWER-FREEZE-functie verbruiken meer energie.
- ▶ Laat warm voedsel afkoelen voordat u het in de koelkast plaatst.
- ▶ Open de deur van het apparaat zo weinig en zo kort mogelijk.
- ▶ Vul het apparaat niet te vol om te voorkomen dat de luchtdoorstroming wordt geblokkeerd.
- ▶ Vermijd lucht in de verpakking van het voedsel.
- ▶ Houd de deurpakking schoon, zodat de deur altijd goed sluit.
- ▶ Ontdooi bevroren voedsel in het koelkastgedeelte.
- ▶ De meest energiebesparende configuratie vereist dat de lades, voedselbakken en planken in fabrieksstaat worden gehouden, en dat voedsel zo diep mogelijk wordt geplaatst zonder dat de openingen van het luchtkanaal worden geblokkeerd.



Verstelbare planken

1. De hoogte van de planken kan worden aangepast aan uw opslagbehoeften.
2. Om een plank te verplaatsen, verwijdert u hem eerst door de achterrand ① op te tillen en de plank eruit ② te trekken.
3. Om hem weer te installeren, plaatst u hem op de nokjes aan beide kanten en duwt u hem helemaal naar achteren tot de achterkant van de plank vastzit in de gleuven in de zijkanten.

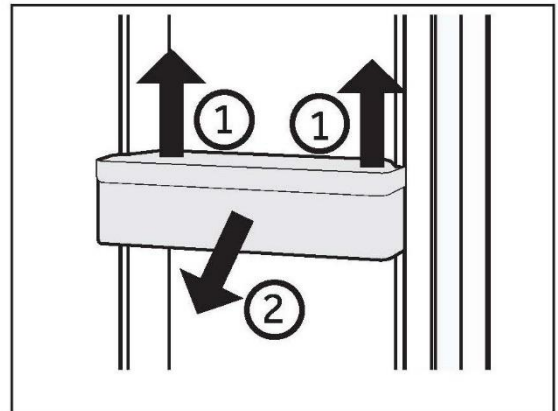


i LET OP

Zorg ervoor dat alle kanten van een plank vlak zijn.

Verwijderbare deurrekken/fleshouder

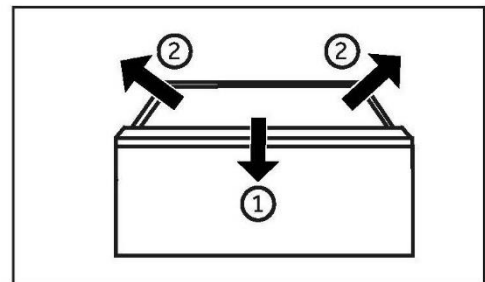
1. De deurrekken/flessenhouder kunnen worden verwijderd voor reiniging:
2. Plaats uw handen aan beide kanten van de rekken/flessenhouder, til omhoog ① en trek eruit ②.
3. Voer de bovenstaande stappen in omgekeerde volgorde uit om de rekken/flessenhouder weer terug te plaatsen.



Verwijderbare lade

Om de lade te verwijderen, trekt u deze zo ver mogelijk naar buiten ①, daarna optillen en verwijderen ②.

Voer de bovenstaande stappen in omgekeerde volgorde uit om lade weer terug te plaatsen.



IJsreservoir

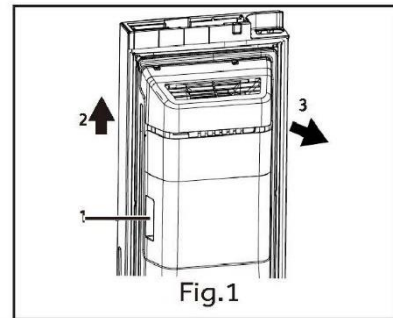
De productie van ijs stoppen

Als er gedurende langere tijd geen ijs of water nodig is, kan de klep tussen de watertoevoer en het apparaat worden dichtgedraaid.

De ijsbak moet worden schoongemaakt, gedroogd en weer in het apparaat worden geplaatst om het ontstaan van geuren te voorkomen.

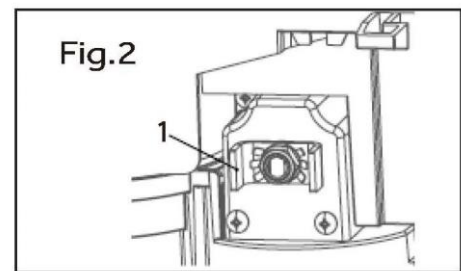
Het ijsreservoir verwijderen

1. Pak beide zijgrepen vast.
2. Til het reservoir op.
3. Trek het reservoir eruit.



Het ijsreservoir terugplaatsen

Om het ijsreservoir terug te plaatsen moet de U-vormige beugel achter het ijsreservoir (1 in afb. 2) worden uitgelijnd met de overeenkomstige metalen structuur. Volg de stappen van afb. 1 in omgekeerde volgorde.



LET OP

Vocht kan condenseren en de ijsbak doen vastvriezen.



WAARSCHUWING!

Haal de stekker van het apparaat uit het stopcontact voordat u het reinigt.

Reinigen

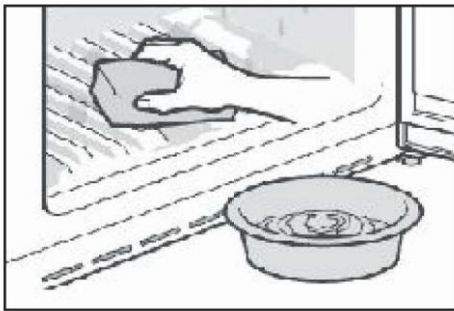
Reinig het apparaat als er weinig of geen voedsel in is opgeslagen.

Het apparaat moet om de vier weken worden schoongemaakt voor een goed onderhoud en om nare voedselgeuren te voorkomen.



WAARSCHUWING!

- ▶ Reinig het apparaat niet met harde borstels, draadborstels, waspoeder, benzine, amylocetaat, aceton en soortgelijke organische oplossingen, zure of alkalische oplossingen. Reinig het apparaat met een speciaal reinigingsmiddel voor koelkasten om schade te voorkomen.
- ▶ Spuit niet op het apparaat en spoel het niet af tijdens het reinigen.
- ▶ Gebruik geen waterstraal of stoom om het apparaat schoon te maken.
- ▶ Reinig de koude glazen planken niet met heet water. Door plotselinge temperatuurveranderingen kan het glas breken.
- ▶ Raak het binnenoppervlak van het vriezergedeelte niet aan, vooral niet met natte handen, omdat uw handen aan het oppervlak vast kunnen vriezen.
- ▶ Controleer in geval van opwarming de toestand van de ingevroren producten.



- ▶ Houd de deuropakking altijd schoon.
 - ▶ Reinig de binnenkant en behuizing van het apparaat met een spons die is bevochtigd in warm water en een neutraal reinigingsmiddel.
1. Was de binnenkant en buitenkant van de koelkast, waaronder deurrubbers, deurrek, glazen planken, bakken enzovoort, met een zachte handdoek of spons die in warm water is gedrenkt (u mag een neutraal schoonmaakmiddel toevoegen aan het warme water).
 2. Als er vloeistof is gemorst, verwijder dan alle verontreinigde onderdelen en spoel ze direct af met het stromend water. Daarna afdrogen en terug in de koelkast plaatsen.
 3. Als er room (zoals koffiemelk, smeltend ijs) wordt gemorst, moeten alle verontreinigde delen worden verwijderd. Zet ze een tijdje in warm water van ongeveer 40°C en spoel vervolgens af met stromend water. Daarna afdrogen en terug in de koelkast plaatsen.
 4. Als een klein deeltje of onderdeel vast komt te zitten in de koelkast (tussen planken of laden), gebruik dan een klein, zacht borsteltje om het weg te halen. Als u het onderdeel niet kan bereiken, neem dan contact op met de klantenservice van Haier.
- ▶ Spoel af en droog af met een zachte doek.
 - ▶ Reinig de onderdelen van het apparaat niet in een vaatwasser.
 - ▶ Laat het apparaat minstens 5 minuten rusten voordat u het opnieuw opstart, omdat vaak opstarten de compressor kan beschadigen.

Ontdooien

Het ontdooien van de koelkast en het vriezergedeelte gebeurt automatisch; er is geen handmatige actie nodig.

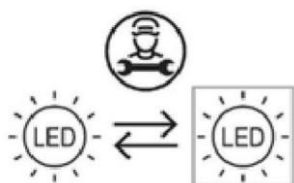


De ledlampjes vervangen

WAARSCHUWING!

Vervang de ledlamp niet zelf, deze mag alleen worden vervangen door de fabrikant of door de erkende servicevertegenwoordiger.

De lamp heeft een led als lichtbron, met een laag energieverbruik en een lange levensduur. Als er sprake is van een afwijking, neem dan contact op met de klantenservice. Zie KLANTENSERVICE.



Vervangbare lichtbron (alleen led), te vervangen door een professional.

Dit product bevat een lichtbron van energie-efficiëntieklasse G.

Compartiment	Spanning	Energie-efficiëntieklasse	Model
Koelkast	12 V	G	HSW59F18DIMM
Vriezer	12 V	G	HSW79F18DIPT
Achterwandverlichting	12 V	G	

Het ijsreservoir schoonmaken

Maak het ijsreservoir regelmatig schoon met warm water, vooral als de ijsblokjes ouder en muff worden. Droog het reservoir goed af voordat u het terugplaatst in het apparaat om te voorkomen dat ijsblokjes aan de wanden blijven plakken.

Geen gebruik voor een langere periode

Als het apparaat gedurende langere tijd niet wordt gebruikt en u gebruikt niet de Holiday-functie bij de koelkast:

- ▶ Haal het voedsel eruit.
- ▶ Haal de stekker van het netsnoer uit het stopcontact.
- ▶ Reinig het apparaat zoals hierboven beschreven.
- ▶ Houd de deuren open om de vorming van nare geuren binnenin te voorkomen.

LET OP

Schakel het apparaat alleen uit als dat echt nodig is.



Het apparaat verplaatsen

1. Verwijder alle etenswaren en haal de stekker van het apparaat uit het stopcontact.
2. Maak planken en andere beweegbare delen in de koelkast en vriezer vast met plakband.
3. Kantel de koelkast niet meer dan 45° om schade aan het koelsysteem te voorkomen.



WAARSCHUWING!

- ▶ Til het apparaat niet op aan de grepen.
- ▶ Plaats het apparaat nooit horizontaal op de grond.

Het filter vervangen

Het waterfilter moet ongeveer om de 6 maanden worden vervangen, wanneer de indicator 'c3' (Filter Reset-functie) gaat branden.

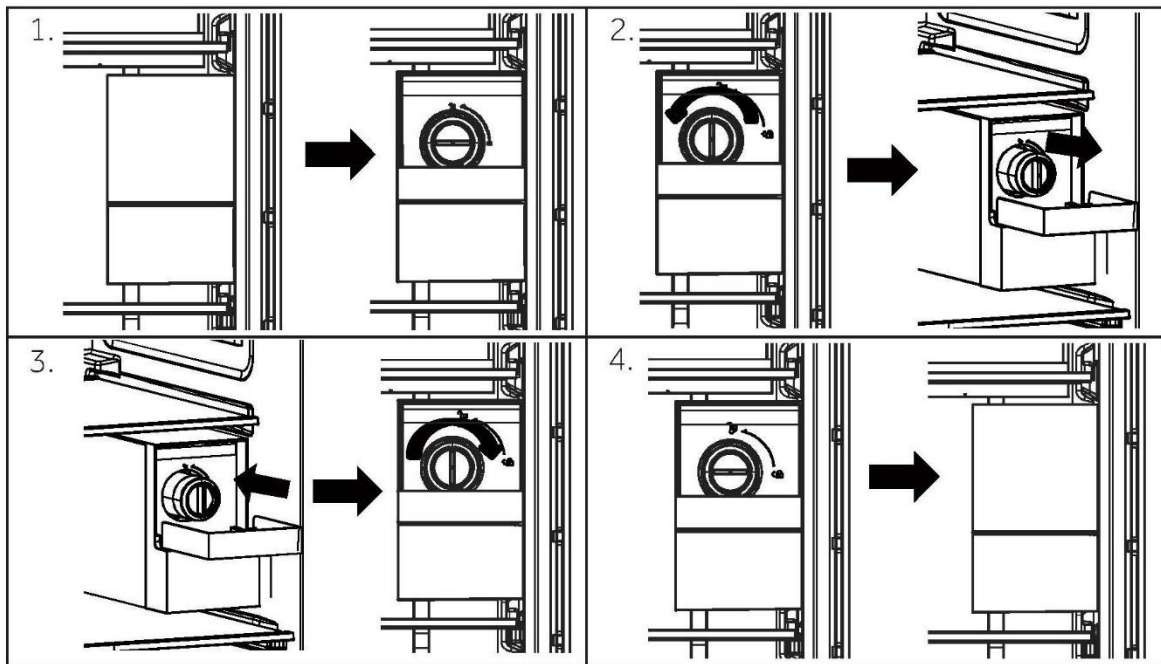
Een vervangend waterfilter kopen:

- Gebruik een vervangend patroon: HRXWF,
- Ga naar uw lokale dealer of distributeur. Breng voor verdere hulp een bezoek aan onze website op www.haiersparses.eu.



Let op

- ▶ Het vervangen van het waterfilter zorgt ervoor dat een kleine hoeveelheid water (ongeveer 25 ml) weglekt.
 - ▶ Wikkel een doek om de voorkant van het deksel van het waterfilter om lekkend water op te vangen. Houd het waterfilter rechtop zodra het is verwijderd, om te voorkomen dat het resterende water uit het waterfilter morst.
1. Druk op het midden van de bovenklep en draai hem naar beneden.
 2. Verwijder het wegwerpwaterfilter.
 3. Vervang het door een nieuw waterfilter. Steek het nieuwe filter in de filterkop en draai het rechtsom tot de pijl op het nieuwe filter op één lijn zit met de pijl op de filterkop. Draai het filter terug in het compartiment.
 4. Sluit het deksel van het waterfilter.



5. Houd de knop 3Sec. Filter Reset 3 seconden ingedrukt.
6. Tap ongeveer 5 minuten lang water af om ingesloten lucht en verontreinigingen te verwijderen.



VOORZICHTIG!

- ▶ Als de filters niet worden vervangen wanneer het nodig is of als geen door Haier toegestane waterfilters worden gebruikt, dan kan het filterpatroon gaan lekken en schade veroorzaken.

Het waterfilter

Model: Haier HRXWF

- ▶ Systeem gecertificeerd door IAPMO R&T ten opzichte van NSF/ANSI-normen 42, 53, 401 en P473 voor de vermindering van de claims vermeld op het prestatiegegevensblad en op iapmort.org.
- ▶ De daadwerkelijke prestatie kan afwijken als gevolg van plaatselijke wateromstandigheden.

Toelichtingsrichtlijnen/watervoorziensparameters

Doorstroming: 1,89 l/min. (0,5 gal/min.)

Watervoorziening: Drinkwater

Waterdruk: 172–827 kPa (25–120 psi)

Watertemperatuur: 0,6°C–38°C

Capaciteit: 643,5 liter (170 gallons)



Het is van essentieel belang dat de door de fabrikant aanbevolen eisen inzake installatie, onderhoud en filtervervanging worden uitgevoerd zoals aangeprezen. Raadpleeg de installatiehandleiding voor informatie over de garantie.

Let op

Hoewel de testen werden uitgevoerd onder standaard laboratoriumomstandigheden, kan de werkelijke prestatie afwijken. Vervangend patroon: HRXWF. Voor de geschatte kosten van vervangende elementen kunt u terecht op onze website op www.haierspares.eu.

WAARSCHUWING!

- ▶ Om het risico in verband met inname van verontreinigingen te verminderen:
- ▶ Niet gebruiken met water dat microbiologisch onveilig of van onbekende kwaliteit is zonder adequate ontsmetting. Systemen die zijn gecertificeerd voor cystereductie mogen worden gebruikt met gedesinfecteerd water dat filterbare cysten kan bevatten.

Let op

Om het risico van waterlekage of overstroming te verminderen en een optimale filterprestatie te garanderen:

- ▶ Lees en volg de gebruiksinstructies voordat u dit systeem installeert en gebruikt.
- ▶ Installatie en gebruik MOETEN voldoen aan alle nationale en lokale watertechnische voorschriften.
- ▶ Installeer het apparaat niet als de waterdruk hoger is dan 827 kPa (120 psi). Als uw waterdruk hoger is dan 552 kPa (80 psi), moet u een drukbegrenzer installeren. Neem contact op met een deskundig loodgieter als u niet zeker weet hoe u uw waterdruk kunt controleren.
- ▶ Niet installeren waar waterslagomstandigheden kunnen voorkomen. Als er sprake is van waterslag dan moet u een waterslagdemper installeren. Neem contact op met een deskundig loodgieter als u niet zeker weet hoe u dit moet controleren.
- ▶ Niet installeren op de waterleidingsleidingen voor warm water. De maximale bedrijfstemperatuur van het water van dit filtersysteem is 38°C.
- ▶ Bescherm het filter tegen bevriezing. Laat het filter uitlekken bij temperaturen onder 0,6°C.
- ▶ Vervang het wegwerpfilterpatroon om de zes maanden of eerder als u een merkbare afname van de waterstroomsnelheid bemerkt.
- ▶ Het niet met aanbevolen tussenpozen vervangen van het wegwerpfilterpatroon kan leiden tot verminderde filterprestaties en scheuren in het filterhuis, waardoor water kan lekken of overstromen.
- ▶ Dit systeem is getest volgens NSF/ANSI 42, 53, 401 en P473 voor de terugdringen van de hieronder vermelde stoffen. De concentratie van de aangegeven stoffen in water dat het systeem binnenkomt, werd teruggebracht tot een concentratie die kleiner is dan of gelijk is aan de toelaatbare grenswaarde voor water dat het systeem verlaat, zoals gespecificeerd in NSF/ANSI 42, 53, 401 en P473.

Veel problemen kunnen door uzelf worden opgelost zonder specifieke expertise. Raadpleeg in geval van een probleem alle getoonde mogelijkheden en volg de onderstaande instructies voordat u contact opneemt met de klantenservice. Zie KLANTENSERVICE.



WAARSCHUWING!

- ▶ Schakel het apparaat uit voordat u onderhoud uitvoert en haal de stekker uit het stopcontact.
- ▶ Elektrische apparatuur mag alleen worden onderhouden door gekwalificeerde elektrische experts, omdat onjuiste reparaties aanzienlijke gevolgschade kunnen veroorzaken.
- ▶ Als de voeding beschadigd is, mag deze alleen worden vervangen door de fabrikant, diens servicevertegenwoordiger of vergelijkbaar gekwalificeerde personen om gevaar te voorkomen.

Probleem	Mogelijke oorzaak	Mogelijke oplossing
De compressor werkt niet.	<ul style="list-style-type: none"> • De netstekker is niet aangesloten op het stopcontact. • Het apparaat is aan het ontdooien. 	<ul style="list-style-type: none"> • Steek de stekker in het stopcontact. • Dit is normaal voor automatisch ontdooien.
Het apparaat loopt vaak of te lang.	<ul style="list-style-type: none"> • De binnen- of buitentemperatuur is te hoog. • Het apparaat is een tijd lang niet ingeschakeld geweest. • Een deur van het apparaat is niet goed gesloten. • De deur is te vaak of te lang geopend. • De temperatuurinstelling voor het vriezergedeelte is te laag. • De deurpakkingen zijn vuil, versleten, gebarsten of niet goed op elkaar afgestemd. • De vereiste luchtcirculatie is niet gegarandeerd. 	<ul style="list-style-type: none"> • In dit geval is het normaal dat het apparaat langer werkt. • Normaal gesproken duurt het 8–12 uur voordat het apparaat volledig is afgekoeld. • Sluit de deur/lade en zorg ervoor dat het apparaat op een vlakke ondergrond staat en dat er geen etenswaren of voedselbakjes de deur blokkeren. • Open de deur/lade niet te vaak. • Stel de temperatuur hoger in totdat een toereikende koelkasttemperatuur is bereikt. Het duurt 24 uur voordat de koelkasttemperatuur stabiel is. • Reinig de deur-/ladepakkingen of laat ze vervangen door de klantenservice. • Zorg voor voldoende ventilatie.



Probleem	Mogelijke oorzaak	Mogelijke oplossing
De binnenkant van de koelkast is vies en/of stinkt.	<ul style="list-style-type: none">• De binnenkant van de koelkast moet worden schoongemaakt.• Er wordt voedsel met een sterke geur bewaard in de koelkast.	<ul style="list-style-type: none">• Reinig de binnenkant van de koelkast.• Verpak het voedsel goed.
Het apparaat maakt afwijkende geluiden.	<ul style="list-style-type: none">• Het apparaat staat niet op een vlakke ondergrond.• Het apparaat raakt voorwerpen rondom.	<ul style="list-style-type: none">• Stel de pootjes af om het apparaat waterpas te zetten.• Verwijder voorwerpen rondom het apparaat.
Het is niet koud genoeg in het apparaat.	<ul style="list-style-type: none">• De temperatuur is te hoog ingesteld. Er zijn te warme producten opgeslagen.• Er is te veel voedsel in één keer bewaard.• De producten zijn te dicht bij elkaar geplaatst.• Een deur/lade van het apparaat zit niet goed dicht.• De deur/lade is te vaak of te lang geopend.	<ul style="list-style-type: none">• Stel de temperatuur opnieuw in.• Koel de producten altijd af voordat u ze opbergt.• Bewaar altijd kleine hoeveelheden voedsel.• Laat een gat tussen verschillende voedingsmiddelen waardoor lucht kan stromen.• Sluit de deur/lade.• Open de deur/lade niet te vaak.
Het is te koud in het apparaat.	<ul style="list-style-type: none">• De temperatuur is te laag ingesteld. De Super-Frz/Super-Cool-functie wordt geactiveerd of loopt te lang.	<ul style="list-style-type: none">• Stel de temperatuur opnieuw in.• Schakel de Super-Frz-/Super-Cool-functie uit.
Vochtvorming aan de binnenkant van het koelkastgedeelte.	<ul style="list-style-type: none">• Het klimaat is te warm en te vochtig.• Een deur/lade van het apparaat zit niet goed dicht.• De deur/lade is te vaak of te lang geopend.• Voedselbakjes of vloeistoffen zijn open gelaten.	<ul style="list-style-type: none">• Verhoog de temperatuur.• Sluit de deur/lade.• Open de deur/lade niet te vaak.• Laat warm voedsel afkoelen tot kamertemperatuur en dek voedsel en vloeistoffen af.
Vocht hoopt zich op het oppervlak aan de buitenkant van de koelkast en tussen de deuren/deur en lade op.	<ul style="list-style-type: none">• Het klimaat is te warm en te vochtig.• De deur is niet goed gesloten. De koude lucht in het apparaat en de warme lucht buiten condenseert.	<ul style="list-style-type: none">• Dit is normaal in een vochtig klimaat en zal veranderen wanneer de luchtvochtigheid daalt.• Zorg dat de deur/lade goed dicht zit.



Probleem	Mogelijke oorzaak	Mogelijke oplossing
Veel ijs en rijp in het vriezergedeelte.	<ul style="list-style-type: none"> • De etenswaren zijn niet goed verpakt. • Een deur/lade van het apparaat zit niet goed dicht. • De deur/lade is te vaak of te lang geopend. • De deur-/ladepakkingen zijn vuil, versleten, gebarsten of niet goed op elkaar afgestemd. • Iets aan de binnenkant voorkomt dat de deur/lade goed kan sluiten. 	<ul style="list-style-type: none"> • Verpak de etenswaren altijd goed. • Sluit de deur/lade. • Open de deur/lade niet te vaak. • Reinig de deur-/ladepakkingen of vervang ze door nieuwe. • Verplaats de planken, deurrekken of interne containers zodat de deur/lade kan worden gesloten.
De zijkanten van de kast en de deurstrip worden warm.	<ul style="list-style-type: none"> • - 	<ul style="list-style-type: none"> • Dit is normaal.
Het apparaat maakt afwijkende geluiden.	<ul style="list-style-type: none"> • Het apparaat staat niet op een vlakke ondergrond. • Het apparaat raakt voorwerpen rondom. 	<ul style="list-style-type: none"> • Stel de pootjes af om het apparaat waterpas te zetten. • Verwijder voorwerpen rondom het apparaat.
Er is een licht geluid te horen dat lijkt op dat van stromend water.	<ul style="list-style-type: none"> • - 	<ul style="list-style-type: none"> • Dit is normaal.
U hoort een alarm-piepton.	<ul style="list-style-type: none"> • De deur van het koelkastgedeelte staat open. 	<ul style="list-style-type: none"> • Sluit de deur.
U hoort een zacht gebrom.	<ul style="list-style-type: none"> • Het anticondensatiesysteem is aan het werk. 	<ul style="list-style-type: none"> • Dit voorkomt condensatie en is normaal.
De binnenverlichting of het koelsysteem werkt niet.	<ul style="list-style-type: none"> • De netstekker is niet aangesloten op het stopcontact. • De voeding is niet intact. • Het ledlampje is buiten werking. 	<ul style="list-style-type: none"> • Steek de stekker in het stopcontact. • Controleer de elektrische voeding naar de kamer. Bel het plaatselijke elektriciteitsbedrijf! • Bel de klantenservice om het lampje te laten vervangen.
Lekkend of druppelend water uit het mondstuk van de waterdispenser.	<ul style="list-style-type: none"> • Het waterreservoir is niet correct geplaatst. • Het mondstuk van de waterdispenser is niet goed vastgeschroefd op het reservoir. • De witte siliconen O-ring ontbreekt bij het watermondstuk. 	<ul style="list-style-type: none"> • Plaats het waterreservoir terug in de koelkastdeur en zorg ervoor dat het volledig in de deur wordt gedrukt. • Het watermondstuk moet stevig op het waterreservoir worden geschroefd. • Controleer of het watermondstuk is voorzien van een witte siliconen O-ring aan de kant van het reservoir voordat u het watermondstuk op het waterreservoir plaatst.



Ga naar onze website om contact op te nemen met de technische dienst:
<https://corporate.haier-europe.com/en/>.

Kies onder de kop 'website' het merk van uw product en uw land. U wordt doorgestuurd naar de specifieke website waar u het telefoonnummer kunt vinden en contact kunt opnemen met de technische dienst.

Stroomonderbreking

In het geval van een stroomstoring, zou voedsel ongeveer 5 uur lang veilig koud moeten blijven. Volg de volgende tips tijdens een langdurige stroomstoring, vooral in de zomer:

- ▶ Open de deur/lade zo weinig mogelijk.
- ▶ Plaats geen extra voedsel in het apparaat tijdens een stroomstoring.
- ▶ Als een stroomstoring vooraf wordt aangekondigd en de onderbrekingsduur langer is dan 5 uur, maak dan ijs en zet dit in een bak boven in het koelkastgedeelte.
- ▶ Onmiddellijk na de onderbreking is een controle van de producten vereist.
- ▶ Aangezien de temperatuur in de koelkast stijgt tijdens een stroomonderbreking of een andere storing, wordt de bewaarperiode en de eetbare kwaliteit van voedsel nadelig beïnvloedt. Alle levensmiddelen die ontdooien moeten worden gegeten, of worden bereid en daarna zo snel mogelijk opnieuw worden ingevroren (indien van toepassing) om gezondheidsrisico's te voorkomen.



LET OP: Geheugenfunctie tijdens de stroomonderbreking

Na herstel van de stroom gaat het apparaat door met de instellingen die waren ingesteld voor de stroomstoring.

Uitpakken



WAARSCHUWING!

- ▶ Het apparaat is zwaar. Altijd hanteren met ten minste twee personen.
- ▶ Houd alle verpakkingsmaterialen buiten bereik van kinderen en gooi ze op een milieuvriendelijke manier weg.
- ▶ Haal het apparaat uit de verpakking.
- ▶ Verwijder al het verpakkingsmateriaal.

Omgevingsomstandigheden

De kamertemperatuur moet altijd tussen 10°C en 43°C liggen, aangezien deze de temperatuur in het apparaat en het energieverbruik kan beïnvloeden. Installeer het apparaat niet in de buurt van andere warmtebronnen (ovens, koelkasten) zonder isolatie.

- Subnormaal (SN): dit koelapparaat is bedoeld voor gebruik bij een omgevingstemperatuur van 10°C tot 32°C.
- Normaal (N): dit koelapparaat is bedoeld voor gebruik bij een omgevingstemperatuur van 16°C tot 32°C.
- Subtropisch (ST): dit koelapparaat is bedoeld voor gebruik bij een omgevingstemperatuur van 16°C tot 38°C.

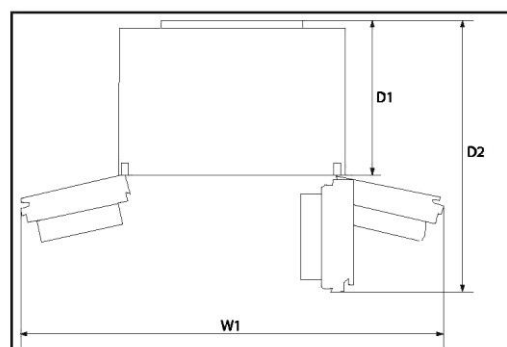
Benodigde ruimte

Vereiste ruimte als de deur open staat:

W1 = 157,8 cm

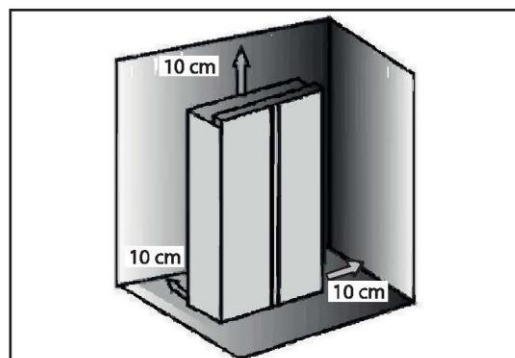
D1 = 629 cm

D2 = 117,3 cm



Doorsnede van ventilatie

Om voor de veiligheid voldoende ventilatie van het apparaat te bereiken, moet de informatie over de vereiste ventilatiedoorsneden in acht worden genomen.

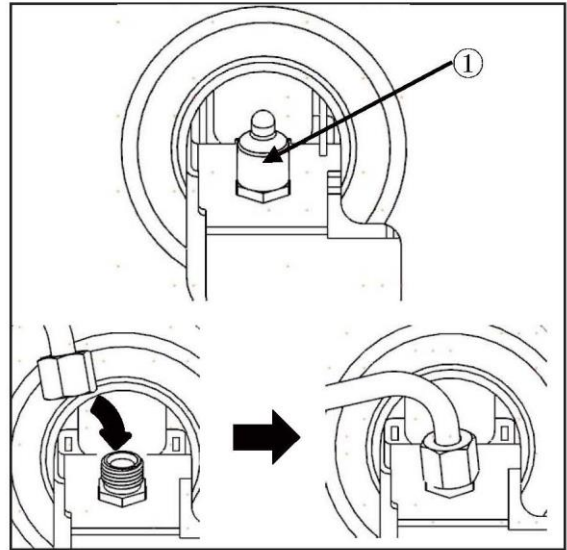


LET OP

Bij een vrijstaand apparaat: dit koelapparaat is niet bedoeld voor gebruik als inbouwapparaat.

Water aansluiten op het apparaat

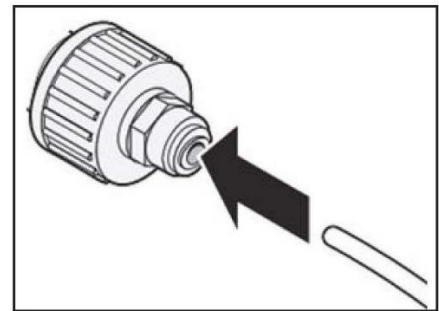
1. Verwijder de rubberen stop (1) van het waterinlaatventiel.
2. Duw de waterslang stevig op het waterinlaatventiel en draai de kraagmoer vast. Deze waterleiding moet in het midden worden doorgesneden en gebruikt; het andere deel kan worden gebruikt als reserveonderdeel.



Aansluiten op de waterkraan

Deze functie is alleen beschikbaar bij sommige modellen.

1. Duw de waterslang in de opening van de met de accessoires meegeleverde kraanaansluiting. De buis moet stevig worden vastgehouden terwijl de aansluiting op de buis wordt geduwd.
2. Controleer of de rubberen ring aan de binnenkant van de kraanaansluiting zit voordat u deze op de kraan draait.
 - ▶ Het is mogelijk dat een aparte aansluiting of adapter moet worden gekocht als uw kraanfitting niet overeenkomt met de draadgrootte van de meegeleverde aansluiting.



De wateraansluiting controleren

Deze functie is alleen beschikbaar bij sommige modellen.

- ▶ Zet de watertoevoer aan en schakel het apparaat in. Controleer zorgvuldig alle aansluitingen zorgvuldig op mogelijke lekken vanwege slecht gemonteerde slangen.
- ▶ Houd de knop 3Sec. Filter Reset drie seconden ingedrukt. Het nieuwe waterfilter is geactiveerd.
- ▶ Plaats een kopje onder de waterdispenser om te controleren of er water door het apparaat stroomt.
- ▶ Controleer de aansluitslang en de aansluitingen nogmaals op lekken.



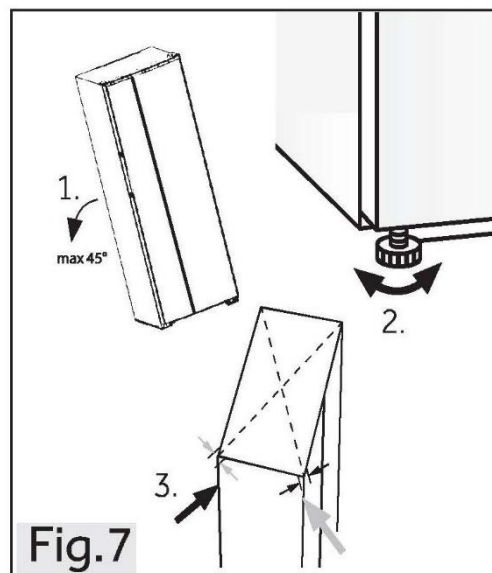
WAARSCHUWING!

- ▶ Zorg ervoor dat de verbindingen altijd stevig, droog en lekvrij zijn.
- ▶ Zorg ervoor dat de slang nooit wordt platgedrukt, geknikt of gedraaid.

Het apparaat uitlijnen

Plaats het apparaat op een vlakke en stevige ondergrond.

1. Kantel het apparaat iets naar achteren (afb. 7).
2. Stel de voeten in op het gewenste niveau. Zorg ervoor dat de afstand tot de muur aan de scharnierzijde minstens 10 cm bedraagt.
3. De stabiliteit kan worden gecontroleerd door afwisselend op de diagonalen te duwen. De lichte slingering moet in beide richtingen hetzelfde zijn. Anders kan het frame kromtrekken, met mogelijk lekkende deurafdichtingen als resultaat. Een kleine helling naar achteren vergemakkelijkt het sluiten van de deuren.

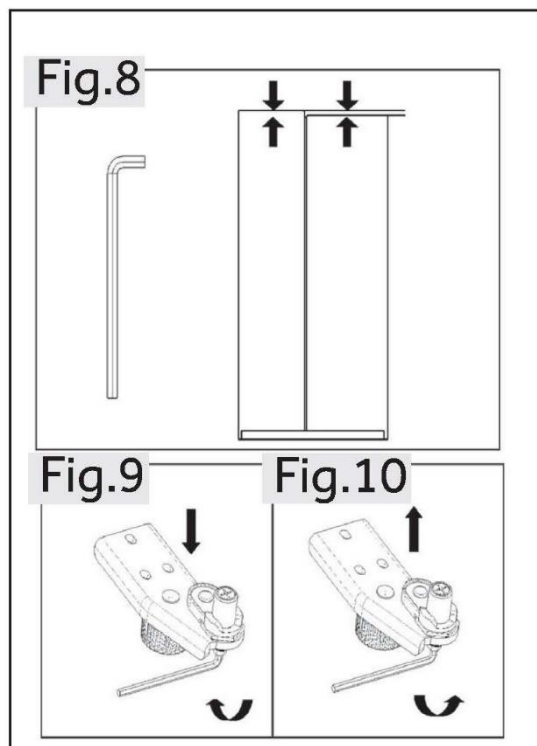


Fijnafstelling van de deuren

Als de deuren nog steeds niet op één lijn staan na het nivelleren van de deuren met de voeten, dan kan deze afwijking worden verholpen door de hefas van het scharnier rechtsonder in de hoek van de koelkastdeur met een moersleutel te verdraaien (afb. 8).

Draai de hefas met de moersleutel met de klok mee om de deur in hoogte te verlagen (afb. 9).

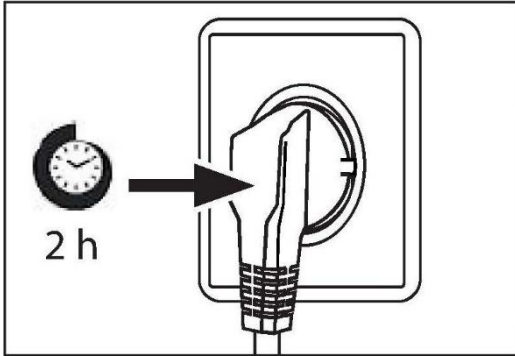
Draai de as met de moersleutel tegen de klok in om de deur in hoogte te verhogen (afb. 10).





WAARSCHUWING!

Stel het hefscharnier niet te hoog in waardoor het scharnier de oorspronkelijke vergrendelde positie zou kunnen verlaten (bereik aanpasbare hoogte: 3 mm).



Wachttijd

De onderhoudsvrije smeerolie bevindt zich in de behuizing van de compressor. Deze olie kan door het gesloten buissysteem komen bij liggend transport. Voordat u het apparaat op de voeding aansluit, moet u ten minste 2 uur wachten zodat de olie weer in de behuizing loopt.

Elektrische aansluiting

Controleer vóór elke aansluiting of:

- ▶ voeding, stopcontact en zekering geschikt zijn volgens het typeplaatje;
- ▶ het stopcontact is geaard en er geen stekkerdoos of verlengsnoer is;
- ▶ de stekker en het stopcontact goed passen.

Sluit de stekker aan op een correct geïnstalleerd huishoudelijk stopcontact.



WAARSCHUWING!

Om risico's te vermijden moet een beschadigd netsnoer worden vervangen door de klantenservice (zie garantiekaart).

De deuren verwijderen en installeren

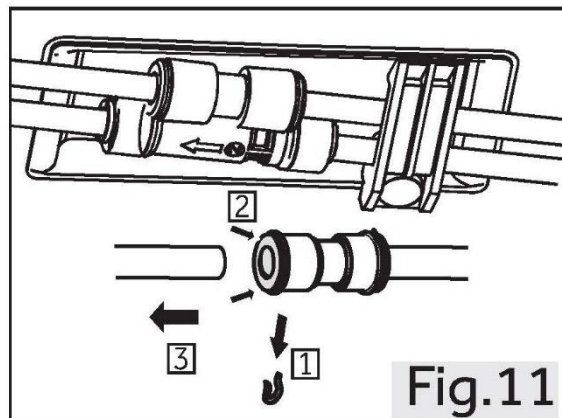
Als u de deuren van het apparaat moet verwijderen, volg dan de onderstaande instructies voor het verwijderen en installeren van de deuren.



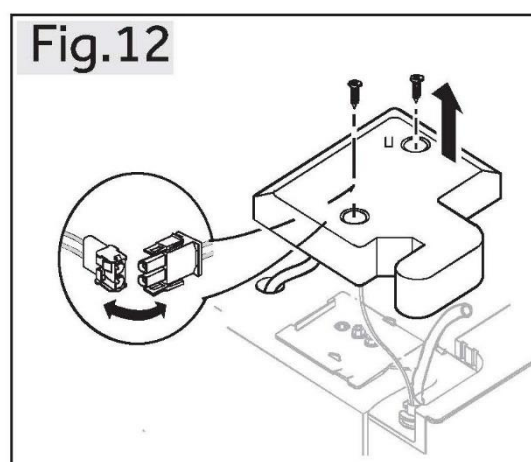
WAARSCHUWING!

- ▶ Schakel het apparaat uit voordat u enige handeling uitvoert en haal de stekker uit het stopcontact.
- ▶ Blokkeer de watertoevoer.
- ▶ Het apparaat is zwaar. Altijd hanteren met ten minste twee personen.
- ▶ Kantel het apparaat niet meer dan 45° en plaats het niet horizontaal op de grond.
- ▶ De deur kan omvallen en mensen verwonden, of beschadigd raken tijdens deze stappen; let dus goed op bij het verwijderen en installeren van deuren.

1. Maak de linkerzijde van de twee waterkoppelingen linksvoor in de hoek aan de onderkant van het apparaat los: druk de kraag in en houd ingedrukt zoals afgebeeld en verwijder de waterleiding (afb. 11).



2. Draai de schroef van het scharnierdeksel los en verwijder het deksel (afb. 12). Maak bij het verwijderen van de vriezerdeur alle draden los, behalve de aardedraad.

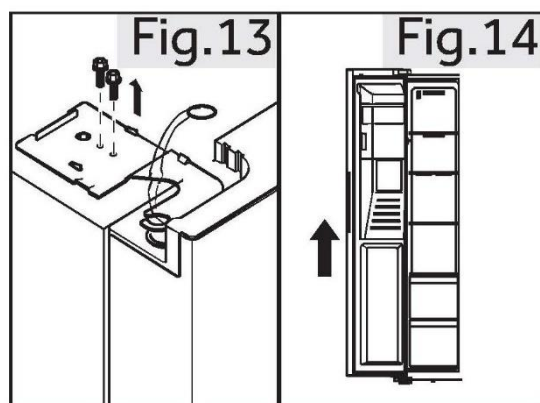


3. Draai de schroeven die het bovenste scharnier op zijn plaats houden los en verwijder vervolgens het scharnier (afb. 13).

4. Til de deur op om deze te verwijderen (afb. 14). Als u de deur van de vriezer verwijdert, til hem dan hoog genoeg op om de wateraansluiting uit de bodem van het apparaat te trekken.

5. Plaats de deur in omgekeerde volgorde terug. Zorg ervoor dat de aardingskabel met de schroef wordt vastgezet.

6. Koppel de wateraansluiting weer aan.




LET OP: Koelkastdeur

De afbeeldingen tonen het verwijderen van de deur van het vriezergedeelte. Gebruik voor de deur van de koelkast de bijbehorende onderdelen aan de andere kant.



Productkaart volgens de verordening EU nr. 2019/2016

Merk	Haier
Modelnaam/identificatie	HSW59F18DIMM HSW79F18DIPT
Categorie van het model	Koelvriescombinatie
Energie-efficiëntieklasse	D
Jaarlijks energieverbruik (kWh/jaar) ⁽¹⁾	267
Totaal volume (liter)	601
Volume koelkast (liter)	391
Volume vriezer (liter)	210
Steraanduiding	
Temperatuur van andere compartimenten > 14°C	Niet van toepassing
Vorstvrij systeem	Ja
Vriescapaciteit (kg/24 uur)	10
Klimaatklasse ⁽²⁾	SN-N-ST
Geluidsemisatieklasse en geluidsemisatie via de lucht (db(A) re 1pW)	C(36)
Temperatuurstijgingstijd (uur)	5
Ijsbereidingscapaciteit	0,8 kg/24 uur
Type apparaat	Vrijstaand



Technische gegevens

Uitleg:

• Ja, aanwezig

- (1) Op basis van de resultaten van de normconformiteitstest gedurende 24 uur. Het werkelijke verbruik is afhankelijk van het gebruik en de locatie van het apparaat.
- (2) Klimaatklasse SN: Dit apparaat is bedoeld voor gebruik bij een omgevingstemperatuur tussen +10°C en +32°C.

Klimaatklasse N: Dit apparaat is bedoeld voor gebruik bij een omgevingstemperatuur tussen +16°C en +32°C.

Klimaatklasse ST: Dit apparaat is bedoeld voor gebruik bij een omgevingstemperatuur tussen +16°C en +38°C.

Aanvullende technische gegevens

Spanning/frequentie	~220–240 V/50 Hz
Ingangsstroom (A)	1,8
Ingangsvermogen ontdooien (W)	220
Belangrijkste zekering (A)	15
Koelmiddel	R600a
Afmetingen (HxBxD in mm)	1775x905x726



Wij adviseren onze Haier klantenservice en het gebruik van originele onderdelen.
Als u een probleem hebt met uw apparaat, controleer dan eerst het hoofdstuk
PROBLEMEN OPLOSSEN.

Als u daar geen oplossing kunt vinden, neem dan contact op met

- ▶ uw plaatselijke dealer; of
- ▶ ons Europese service-callcentrum (zie onderstaande telefoonnummers); of
- ▶ het gedeelte Service & Support op www.haier.com, waar u de serviceclaim kunt activeren
- ▶ en ook veelgestelde vragen kunt vinden.

Om contact op te nemen met onze klantenservice, moet u ervoor zorgen dat u over de volgende gegevens beschikt.

De informatie is te vinden op het typeplaatje.

Model _____

Serienummer _____

Controleer ook de garantiekaart die met het product is meegeleverd in geval van garantie.

Europees service-callcentrum		
Land*	Telefoonnummer	Kosten
Haier Italy (IT)	199 100912	
Haier Spain (ES)	902 509 123	
Haier Germany (DE)	0180539 39 99	<ul style="list-style-type: none">• 14 ct/min – vaste lijn• max. 42 ct/min – mobiel
Haier Austria (AT)	0820 001 205	<ul style="list-style-type: none">• 14,53 ct/min – vaste lijn• max. 20 ct/min – alle andere
Haier United Kingdom (UK)	0333 003 8122	
Haier France (FR)	0980 406 409	



*Voor andere landen verwijzen wij u naar www.haier.com

Haier Europe Trading S.r.l

Branch UK

Westgate House, Westgate, Ealing

London, W5 1YY, Verenigd Koninkrijk

*Duur van de garantie van het koelapparaat:

De minimumgarantie is: 2 jaar voor EU-landen, 3 jaar voor Turkije, 1 jaar voor het Verenigd Koninkrijk, 1 jaar voor Rusland, 3 jaar voor Zweden, 2 jaar voor Servië, 5 jaar voor Noorwegen, 1 jaar voor Marokko, 6 maanden voor Algerije, Tunesië geen wettelijke garantie vereist.

*De beschikbaarheidsperiode van reserveonderdelen voor reparatie van het apparaat:

Thermostaten, temperatuursensoren, printplaten en lichtbronnen zijn gedurende minimaal zeven jaar na het op de markt brengen van de laatste eenheid van het model beschikbaar.

Deurgrepen, deurscharnieren, bakken en manden zijn minimaal zeven jaar en deurpakkingen minimaal 10 jaar na het in de handel brengen van de laatste eenheid van het model verkrijgbaar.

*Raadpleeg voor meer informatie over het product <https://eprel.ec.europa.eu/> of scan de QR-code op het energielabel dat met het apparaat wordt meegeleverd.



Spis treści

Informacje dotyczące bezpieczeństwa	270
Przeznaczenie	275
Opis produktu	276
Panel sterowania	277
Użytkowanie	278
Wyposażenie	291
Pielęgnacja i czyszczenie	293
Usuwanie usterek	298
Instalacja	302
Dane techniczne	307
Obsługa klienta	309

Dziękujemy za zakup produktu firmy Haier.

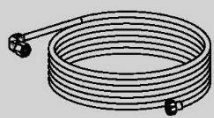
Przed użyciem urządzenia należy dokładnie przeczytać niniejsze instrukcje. Instrukcje zawierają ważne informacje, które pomogą możliwie najlepiej wykorzystać funkcje urządzenia, bezpiecznie i prawidłowo je zainstalować, eksploatować oraz konserwować.

Niniejszą instrukcję obsługi należy przechowywać w dostępnym miejscu, aby móc z niej zawsze skorzystać w celu bezpiecznego i właściwego użytkowania urządzenia.

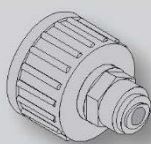
Przy sprzedaży urządzenia należy do niego dołączyć niniejszą instrukcję obsługi, a w przypadku przeprowadzki przekazać ją nowemu właścicielowi, aby mógł się zapoznać z urządzeniem i ostrzeżeniami dotyczącymi bezpieczeństwa.

Akcesoria

Sprawdź akcesoria i materiały zgodnie z tą listą:



*Wodociąg



*Złącze wodne



Etykieta
wydajności
energetycznej



Karta gwarancyjna



Szybki
przewodnik



OSTRZEŻENIE - Ważne informacje dotyczące bezpieczeństwa



UWAGA - Ogólne informacje i wskazówki



Informacje dotyczące ochrony środowiska



Utylizacja

Pomóż chronić środowisko i ludzkie zdrowie. Wyrzuć opakowanie do odpowiednich pojemników do recyklingu. Pomóż w recyklingu odpadów z urządzeń elektrycznych i elektronicznych. Nie wyrzucaj urządzeń oznaczonych tym symbolem razem z odpadami domowymi. Oddaj produkt do miejscowego zakładu recyklingu lub skontaktuj się z urzędem miejskim.



OSTRZEŻENIE!

Ryzyko obrażeń lub uduszenia!

Czynniki chłodnicze i gazy muszą być utylizowane w profesjonalny sposób. Przed utylizacją upewnij się, że przewody układu chłodniczego nie są uszkodzone. Odłącz urządzenie od zasilania sieciowego. Odetnij przewód zasilający i zutylizuj go. Usuń tace i szuflady oraz zamek drzwi i uszczelki, aby zapobiec zamknięciu się dzieci i zwierząt w urządzeniu.

Przed włączeniem urządzenia po raz pierwszy, przeczytaj poniższe wskazówki dotyczące bezpieczeństwa:



OSTRZEŻENIE!

Przed pierwszym użyciem

- ▶ Upewnij się, że nie ma uszkodzeń powstałych podczas transportu.
- ▶ Usunąć wszystkie opakowania i przechowywać w miejscu niedostępnym dla dzieci.
- ▶ Odczekaj co najmniej dwie godziny przed zainstalowaniem urządzenia, aby upewnić się, że obwód czynnika chłodniczego jest w pełni efektywny.
- ▶ Zawsze przenosić urządzenie z pomocą co najmniej dwóch osób, ponieważ jest ono ciężkie.

Instalacja

- ▶ Urządzenie powinno być umieszczone w dobrze wentylowanym miejscu. Zapewnij przestrzeń co najmniej 10 cm nad urządzeniem i wokół niego.
- ▶ Nigdy nie umieszczaj urządzenia w wilgotnym miejscu lub w takim, w którym może być ochlapanie wodą. Zetrzyj plamy i zachlapania do sucha miękką i czystą ściereczką.
- ▶ Nie należy instalować urządzenia w bezpośrednim świetle słonecznym lub w pobliżu źródeł ciepła (np. pieców, grzejników).
- ▶ Zainstaluj i wypoziomuj urządzenie w miejscu odpowiednim dla jego wielkości i przeznaczenia.
- ▶ Należy dbać o drożność otworów wentylacyjnych w obudowie urządzenia wolnostojącego lub w konstrukcji do zabudowy.
- ▶ Upewnij się, że informacje dotyczące elektryki na tabliczce znamionowej są zgodne z parametrami zasilania. Jeśli tak nie jest, skontaktuj się z elektrykiem.
- ▶ Urządzenie jest zasilane prądem 220–240 V AC/50 Hz. Odbiegające od normy wahania napięcia mogą spowodować niewłączenie się urządzenia albo uszkodzenie regulatora temperatury lub sprężarki. Mogą też być przyczyną nietypowego hałasu podczas pracy. W takim przypadku powinien zostać zamontowany automatyczny regulator.
- ▶ Nie używaj adapterów wtyczek i przedłużaczy.
- ▶ Za urządzeniem nie należy umieszczać kilku listew zasilających ani przenośnych zasilaczy.
- ▶ Upewnij się, że kabel zasilający nie jest przytrzaśnięty przez chłodziarkę. Nie stawaj na przewodzie zasilającym.



OSTRZEŻENIE!

- ▶ Używaj oddzielnego, łatwo dostępnego i uziemionego gniazdka. Urządzenie musi być uziemione.

Dotyczy tylko Wielkiej Brytanii: Kabel zasilający urządzenie jest wyposażony we wtyczkę z 3 bolcami (z uziemieniem), która pasuje do standardowego gniazda z 3 przewodami (z uziemieniem). Nigdy nie odcinaj ani nie demontuj trzeciego bolca (z uziemieniem). Po zainstalowaniu urządzenia wtyczka powinna być łatwo dostępna.

- ▶ Uważaj, aby nie uszkodzić obwodu chłodniczego.

Codzienne użytkowanie

- ▶ Urządzenie może być obsługiwane przez dzieci powyżej 8 roku życia i przez osoby o ograniczonych możliwościach fizycznych, sensorycznych lub umysłowych lub osoby nieposiadające doświadczenia ani wiedzy pod warunkiem, że są one pod odpowiednim nadzorem lub zostały poinstruowane, jak bezpiecznie obsługiwać urządzenie i rozumieją związane z nim zagrożenia.
- ▶ Dzieciom w wieku od 3 do 8 lat wolno ładować i rozładowywać, ale nie wolno czyścić ani instalować urządzeń chłodniczych.
- ▶ Trzymaj z dala od urządzenia dzieci poniżej 3 roku życia, chyba że są pod stałym nadzorem.
- ▶ Dzieci nie powinny bawić się urządzeniem.
- ▶ Jeśli czynnik chłodniczy lub inny łatwopalny gaz wycieka w pobliżu urządzenia, zamknij zawór wyciekającego gazu, otwórz drzwi oraz okna i nie odłączaj kabla zasilającego chłodziarki lub innego urządzenia.
- ▶ Zwróć uwagę, że urządzenie jest ustawione do pracy w określonym zakresie temperatur pomiędzy 10 a 38°C. Chłodziarka może nie pracować prawidłowo, jeśli pozostanie na dłuższy czas w temperaturze powyżej lub poniżej podanego zakresu.
- ▶ Na chłodziarce nie należy umieszczać niestabilnych przedmiotów (ciężkich przedmiotów, pojemników wypełnionych wodą), aby uniknąć obrażeń ciała spowodowanych upadkiem lub porażeniem prądem elektrycznym w wyniku kontaktu z wodą.
- ▶ Nie ciągnij za półki drzwiowe. Drzwi mogą być pochylone, stojak na butelki może zostać wyciągnięty lub urządzenie może się przewrócić.
- ▶ Otwieraj i zamykaj drzwi tylko za pomocą klamek. Szczelina między drzwiami a obudową jest bardzo wąska. Nie trzymaj rąk w tych obszarach, aby uniknąć przycięcia palców. Otwieraj i zamykaj drzwi chłodziarki tylko wtedy, gdy nie ma dzieci stojących w obrębie ruchu drzwi.



OSTRZEŻENIE!

- ▶ Nie przechowuj ani nie używaj materiałów łatwopalnych, wybuchowych lub żrących w urządzeniu lub w jego sąsiedztwie.
- ▶ Nie należy przechowywać w urządzeniu leków, bakterii lub substancji chemicznych. To urządzenie jest urządzeniem gospodarstwa domowego. Nie zaleca się przechowywania materiałów, które wymagają ściśle określonej temperatury.
- ▶ Nigdy nie przechowuj płynów w butelkach lub puszkach (oprócz alkoholi wysoko-procentowych), zwłaszcza napojów gazowanych w zamrażarce, ponieważ mogą one pęknąć podczas zamrażania.
- ▶ Sprawdź stan żywności, jeśli w zamrażarce miało miejsce zwiększenie temperatury.
- ▶ Nie ustawiaj niepotrzebnie niskiej temperatury w komorze chłodziarki. Ujemne temperatury mogą wystąpić przy wysokich ustawieniach. Uwaga: Butelki mogą wybuchnąć
- ▶ Nie dotykaj zamrożonych towarów mokrymi rękami (załóż rękawiczki). Szczególnie nie należy jeść lizaków lodowych bezpośrednio po wyjęciu z komory zamrażarki. Istnieje ryzyko przymarznięcia naskórka lub powstania pęcherzy. PIERWSZA pomoc: Natychmiast polać miejsce przymarznięcia bieżącą zimną wodą. Nie odrywaj!
- ▶ Nie dotykaj wnętrza komory zamrażarki podczas pracy, zwłaszcza mokrymi rękami, ponieważ mogą one przymarznąć do jej powierzchni.
- ▶ Odłącz urządzenie w przypadku przerwy w zasilaniu lub przed czyszczeniem. Nie uruchamiaj ponownie urządzenia przez co najmniej 7 minut, ponieważ szybkie włączenie może doprowadzić do uszkodzenia sprężarki.
- ▶ Nie używaj urządzeń elektrycznych wewnątrz komór do przechowywania żywności, chyba że są to urządzenia typu zalecanego przez producenta. Konserwacja / czyszczenie
- ▶ Upewnij się, że dzieci są nadzorowane podczas czyszczenia i konserwacji urządzenia.
- ▶ Przed przystąpieniem do rutynowej konserwacji należy odłączyć urządzenie od zasilania elektrycznego. Odczekaj co najmniej 5 minut przed ponownym uruchomieniem urządzenia, ponieważ częste uruchamianie może uszkodzić sprężarkę.



OSTRZEŻENIE!

- ▶ Podczas odłączania urządzenia trzymaj za wtyczkę, a nie za przewód.
- ▶ Nie czyść urządzenia za pomocą twardych szczotek, szczotek drucianych, detergentów proszkowych, benzyny, octanu amylnego, acetonu i podobnych roztworów organicznych, kwasu lub roztworów alkalicznych. Do czyszczenia należy używać specjalnego detergentu do chłodziarek, aby uniknąć uszkodzenia.
- ▶ Nie zeskrobuje szronu i lodu ostrymi przedmiotami. Nie używaj rozpylaczy, grzejników elektrycznych, takich jak suszarka do włosów, myjek parowych lub innych źródeł ciepła, aby uniknąć uszkodzenia plastikowych części.
- ▶ Nie używaj urządzeń mechanicznych ani innych środków do przyspieszania procesu rozmrażania, chyba że są one zalecane przez producenta.
- ▶ Jeśli kabel zasilający ulegnie uszkodzeniu, dla bezpieczeństwa należy zlecić jego wymianę producentowi, autoryzowanemu serwisowi lub osobom o podobnych kwalifikacjach.
- ▶ Nie próbuj samodzielnie naprawiać, demontować ani modyfikować urządzenia. W przypadku naprawy skontaktuj się z naszym działem obsługi klienta.
- ▶ Usuń kurz z tyłu urządzenia co najmniej raz w roku, aby uniknąć zagrożenia ogniem, a także zwiększonego zużycia energii.
- ▶ Nie używaj aerozolu ani nie przepłukuj urządzenia podczas czyszczenia.
- ▶ Nie używaj wody lub pary do czyszczenia urządzenia.
- ▶ Nie czyść zimnych szklanych półek gorącą wodą. Nagła zmiana temperatury może spowodować pęknięcie szkła.

Informacje dotyczące czynnika chłodniczego



OSTRZEŻENIE!

Urządzenie zawiera łatwopalny czynnik chłodniczy IZOBUTAN (R600a). Upewnij się, że układ chłodniczy nie został uszkodzony podczas transportu lub instalacji. Wyciek czynnika może spowodować uszkodzenie wzroku lub zapalenie. Jeśli wystąpiło uszkodzenie, trzymaj urządzenie z dala od otwartych źródeł ognia, dokładnie przewietrz pomieszczenie, nie podłączaj ani nie odłączaj kabli zasilających tego lub innego urządzenia. Poinformuj obsługę klienta.

W przypadku kontaktu czynnika chłodniczego z oczami natychmiast przepłucz je pod bieżącą wodą i bezzwłocznie skontaktuj się z okulistą.



Przeznaczenie

To urządzenie jest przeznaczone do chłodzenia i zamrażania żywności. Został zaprojektowany wyłącznie do użytku w gospodarstwach domowych i podobnych zastosowaniach, takich jak pomieszczenia kuchenne dla personelu w sklepach, biurach i innych środowiskach pracy; w gospodarstwach rolnych oraz przez klientów w hotelach, motelach i innych obiektach mieszkalnych, a także w pensjonatach i gastronomii. Nie jest przeznaczone do użytku komercyjnego ani przemysłowego.

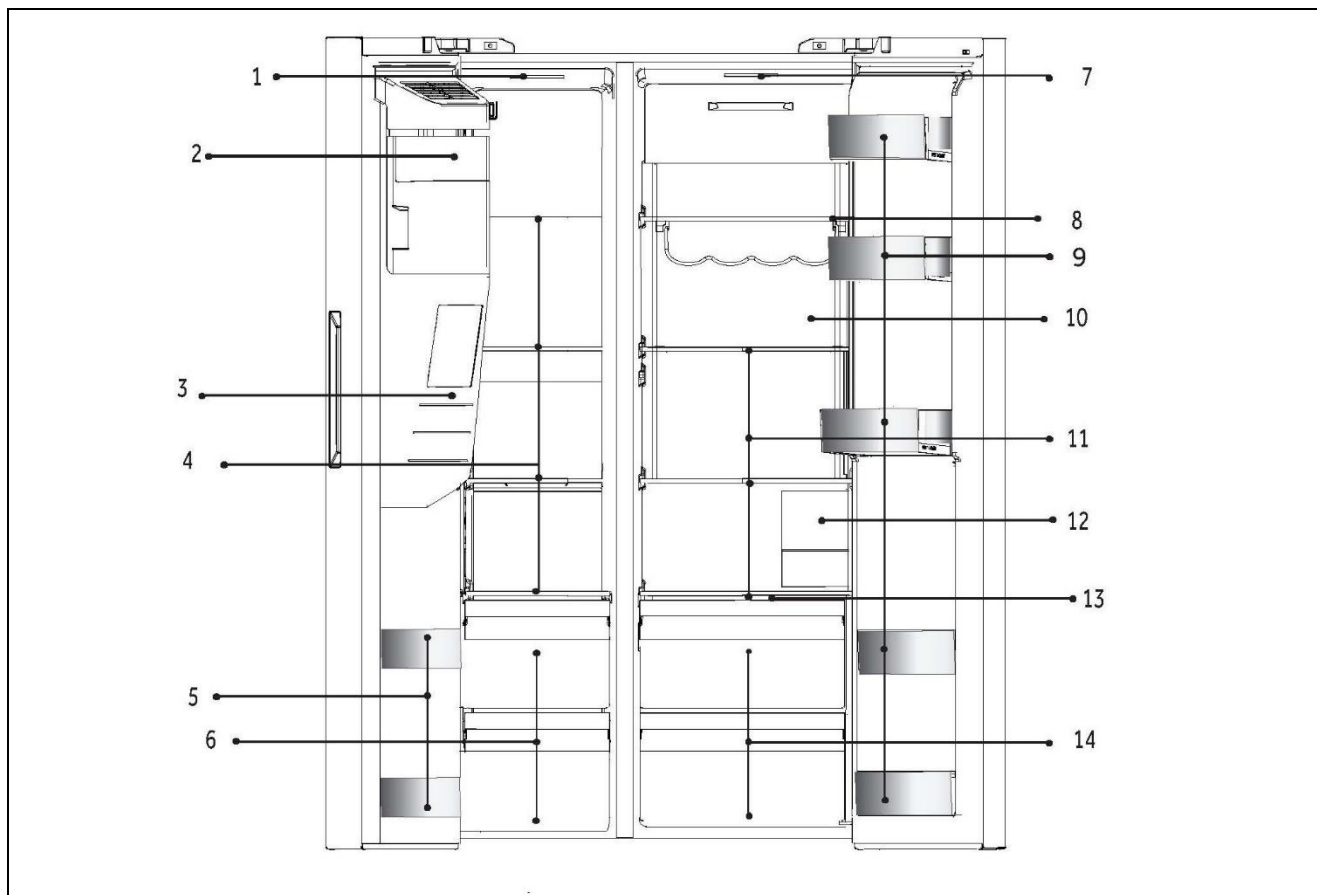
Zmiany lub modyfikacje urządzenia są niedozwolone. Użycie niezgodne z przeznaczeniem może spowodować zagrożenie i utratę roszczeń gwarancyjnych.

Normy i dyrektywy oraz

Produkt ten spełnia wymagania wszystkich obowiązujących dyrektyw UE z odpowiednimi normami zharmonizowanymi, które przewidują oznakowanie CE.

i Uwaga

Z powodu zmian technicznych i różnych modeli, niektóre ilustracje w tej instrukcji mogą się różnić od Twojego modelu.



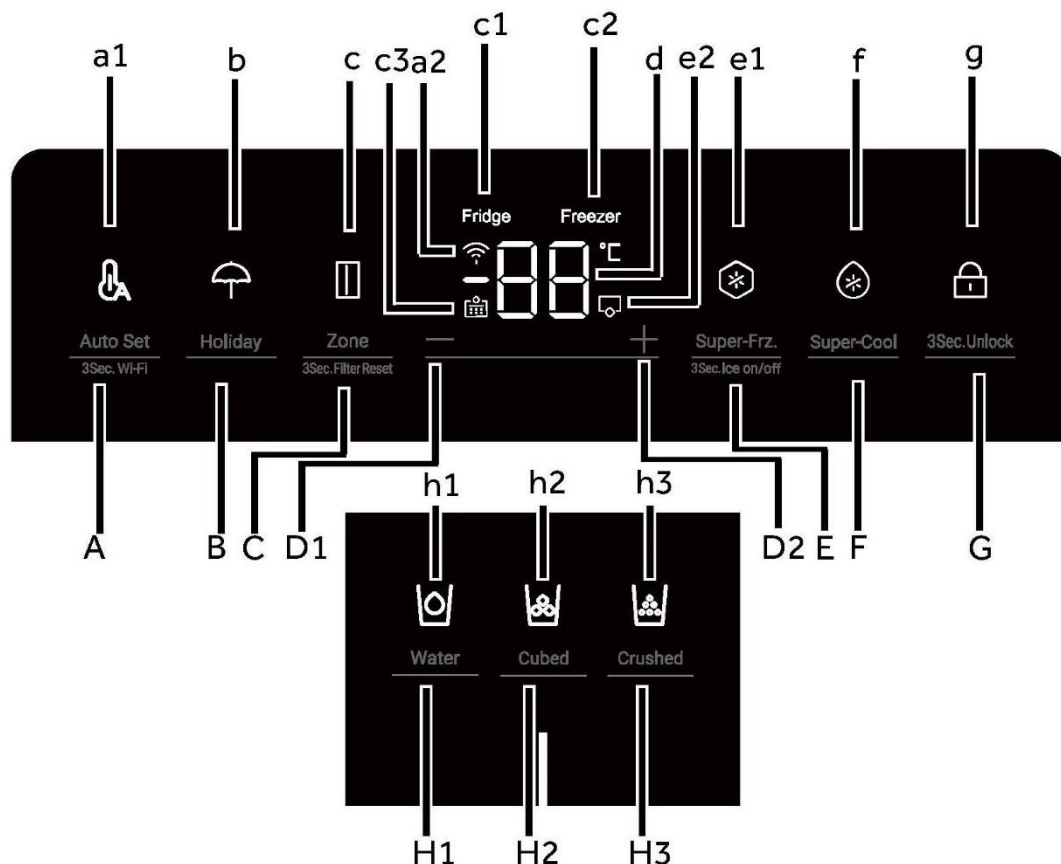
A: Komora zamrażarki

- 1 Lampa sufitowa
- 2 Kostkarka do lodu z pojemnikiem na lód
- 3 Dystrybutor wody i lodu
- 4 Szklane półki
- 5 Uchwyt na butelki
- 6 Szuflady

B: Komora chłodziarki

- 7 Lampa sufitowa
- 8 Stojak na wino
- 9 Uchwyt na butelki
- 10 Lampa tylna (HSW79F18DIPT)
- 11 Szklane półki
- 12 Filtr wody
- 13 Osłona mokrej strefy
- 14 Szuflady

Panel sterowania



Przyciski:

- A Funkcja Auto Set /3Sec.Wi-Fi
- B Funkcja Holiday
- C Wybór strefy/3Sec.Filter Reset
- D1 Przycisk regulacji temperatury „-“
- D2 Przycisk regulacji temperatury „+“
- E Funkcja Super-Freeze/3 sek. Lód wt./wyt.
- F Funkcja Super-Cool
- G Przełącznik blokady panelu
- H1 Przełącznik funkcji dopływu wody
- H2 Przełącznik funkcji lodu w kostkach
- H3 Przełącznik funkcji kruszonego lodu

Wskaźniki:

- a1 Tryb Auto Set
- a2 Funkcja Wi-Fi
- b Tryb Holiday
- c Wskaźnik strefy
- c1 Wskaźnik chłodziarki
- c2 Wskaźnik zamrażarki
- c3 Funkcja resetowania filtra
- d Wyświetlacz temperatury
- e1 Tryb Super-Freeze
- e2 Tryb kostkarki do lodu
- f Tryb Super-Cool
- g Blokada panelu
- h1 Funkcja dopływu wody
- h2 Funkcja lodu w kostkach
- h3 Funkcja kruszonego lodu

Przed pierwszym użyciem

- ▶ Usuń wszelkie opakowania, trzymaj je w miejscu niedostępnym dla dzieci i zutylizuj w sposób przyjazny dla środowiska.
- ▶ Przed włożeniem żywności wyczyść wnętrze i obudowę urządzenia wodą z dodatkiem łagodnego detergentu.
- ▶ Po wypoziomowaniu i wyczyszczeniu urządzenia odczekaj co najmniej 2-5 godzin przed podłączeniem go do zasilania. Zob. rozdział INSTALACJA.
- ▶ Przed załadowaniem żywności należy wstępnie schłodzić komory z wysokimi ustawieniami. Funkcja Power-Freeze pomaga szybko schłodzić komory.
- ▶ Temperatury chłodziarki i zamrażarki są automatycznie ustawiane odpowiednio na 5°C oraz - 18°C. To są zalecane ustawienia. W razie potrzeby można ręcznie zmienić ustawioną temperaturę. Zob. rozdział REGULACJA TEMPERATURY.

Klawisze czujnika

Przyciski na panelu sterowania są klawiszami czujników, które reagują przy delikatnym dotknięciu palcem.

Włącz/Wyłącz urządzenie

Urządzenie zacznie pracę jak tylko zostanie podłączone do źródła energii.

Wyświetlane temperatury pokazują ustawione temperatury w komorze.

Być może blokada panelu jest aktywna.

Uwaga

Gdy urządzenie zostanie włączone po uprzednim odłączeniu od głównego źródła zasilania, osiągnięcie prawidłowej temperatury może potrwać do 12 godzin.

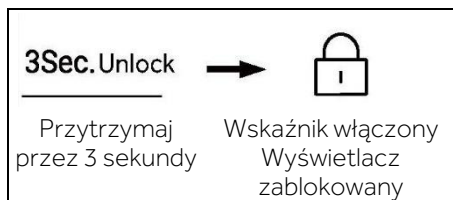
Przed wyłączeniem należy opróżnić urządzenie. Aby wyłączyć urządzenie, wyciągnij przewód zasilający z gniazdka.

UWAGA

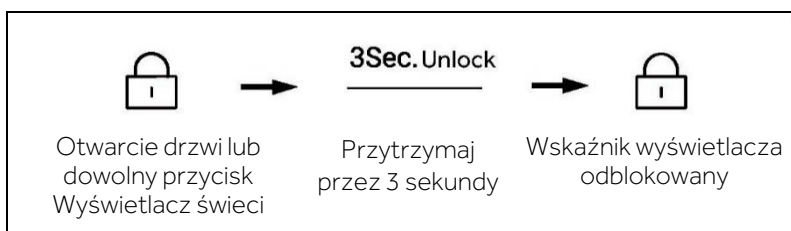
Gdy chłodziarka jest włączana po raz pierwszy, wskaźnik świeci. Temperatury chłodziarki i zamrażarki są automatycznie ustawiane odpowiednio na 5°C i -18°C.

Panel blokady/odblokowania

1. Automatyczne blokowanie: Gdy drzwi chłodziarki i zamrażarki są zamknięte i w ciągu 30 sekund nie zostanie naciśnięty żaden klawisz, ekran wyświetlacza zostanie automatycznie zgaszony i zablokowany



2. Ręczne blokowanie: Gdy ekran wyświetlacza jest odblokowany, naciśnij przycisk „G” (selektor blokady panelu) i przytrzymaj przez 3 sekundy; brzęczyk zadzwoni jeden raz, wskaźnik „g” (blokada panelu) zaświeci się i wyświetlacz zostanie zablokowany.



Wyreguluj temperaturę

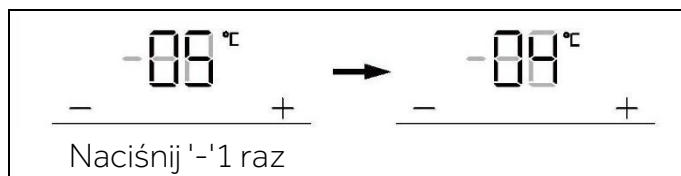
Na temperaturę wewnątrz chłodziarki wpływają następujące czynniki:

- ▶ Temperatura otoczenia
- ▶ Częstotliwość otwierania drzwi
- ▶ Ilość przechowywanej żywności
- ▶ Instalacja urządzenia

Wyreguluj temperaturę chłodziarki

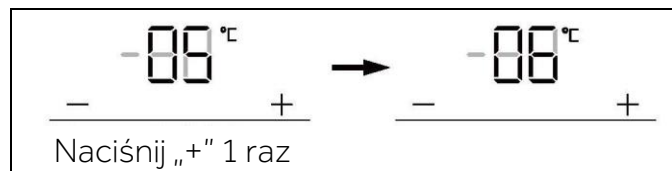
1. Gdy ekran wyświetlacza jest odblokowany, naciśnij przycisk „C” (przełącznik strefy). Brzęczyk dzwoni raz, kontrolka „c1” (wskaźnik chłodziarki) miga, a potem pojawia się tryb ustawiania temperatury chłodziarki.

2. Naciśnij przycisk „D1” (przycisk regulacji temperatury „-”). Brzęczyk zadzwoni jeden raz, a ustawiona temperatura chłodziarki zostanie zmniejszona o 1. Temperatura chłodziarki będzie wyświetlana w następującej kolejności: „9°C > 8°C > 7°C > 6°C > 5°C > 4°C > 3°C > 2°C > 1°C”.



Wyreguluj temperaturę chłodziarki

3. Naciśnij przycisk „D2” (przycisk regulacji temperatury „+”). Brzęczyk zadzwoni raz, ustawiona temperatura chłodziarki zostanie zwiększona o 1. Temperatura chłodziarki będzie wyświetlana w następującej kolejności: „1°C > 2°C > 3°C > 4°C > 5°C > 6°C > 7°C > 8°C > 9°C



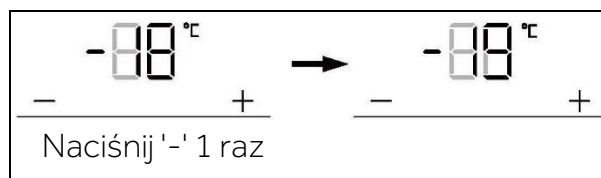
i Uwaga

Po ustawieniu temperatury, jeśli w ciągu 5 sekund nie zostanie wykonana żadna operacja, system automatycznie zapisze ustawioną temperaturę.

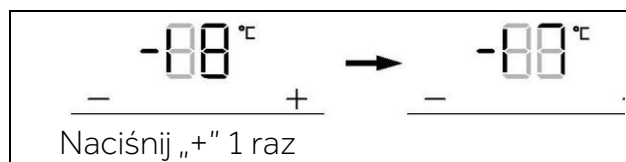
Ustaw temperaturę zamrażarki

1. Gdy ekran wyświetlacza jest odblokowany, naciśnij przycisk „C” (przełącznik strefy). Brzęczyk zadzwoni raz, wskaźnik „c2” (wskaźnik zamrażarki) miga, a następnie uruchamia się tryb ustawiania temperatury w zamrażarce.

2. Naciśnij przycisk „D1” (przycisk regulacji temperatury „-”). Brzęczyk zadzwoni jeden raz, a ustawiona temperatura zamrażarki zostanie zmniejszona o 1. Temperatura chłodziarki będzie wyświetlana w następującej kolejności: „-14°C > -15°C > -16°C > -17°C > -18°C > -19°C > -20°C > -21°C > -22°C > -23°C > -24°C.



3. Naciśnij przycisk „D2” (przycisk regulacji temperatury „+”). Brzęczyk zadzwoni raz, ustawiona temperatura zamrażarki zostanie zwiększona o 1. Temperatura chłodziarki będzie wyświetlana w następującej kolejności: „-24°C > -23°C > -22°C > -21°C > -20°C > -19°C > -18°C > -17°C > -16°C > -15°C > -14°C.



i Uwaga

Po ustawieniu temperatury, jeśli w ciągu 5 sekund nie zostanie wykonana żadna operacja, system automatycznie zapisze ustawioną temperaturę.

Tryb Auto Set

1. Gdy ekran wyświetlacza jest odblokowany, naciśnij przycisk „A” (przełącznik trybu Auto Set), brzęczyk zadzwoni jeden raz, wskaźnik „a1” (tryb Auto Set) zaświeci się, a następnie funkcja Auto Set zostanie włączona.
2. Gdy zaświeci się wskaźnik „a1” (tryb Auto Set), naciśnij przycisk „A” (przełącznik trybu Auto Set), brzęczyk zadzwoni raz, wskaźnik „a1” (tryb Auto Set) zgaśnie, a następnie funkcja Auto Set zostanie wyłączona



Uwaga

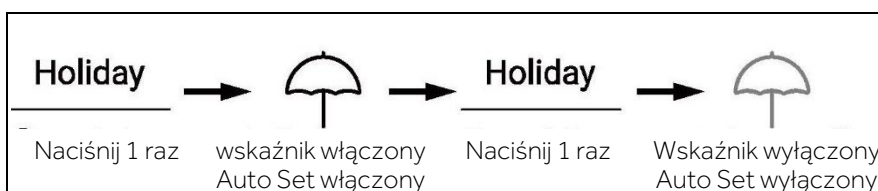
W trybie Auto Set nie można regulować temperatury chłodziarki lub zamrażarki. Jeśli przycisk „D1” (przycisk regulacji temperatury „-”) lub przycisk „D2” (przycisk regulacji temperatury „+”) zostanie naciśnięty w celu regulacji temperatury chłodziarki lub zamrażarki, wskaźnik „a1” (wskaźnik Auto Set) będzie migać i rozlegnie się dźwięk wskazujący, że nie można wykonać tej operacji.

W trybie Auto Set ze względu na różne sposoby sterowania, jeśli ustawiona jest funkcja „Super-Cool”, „Super-Freeze” lub „Holiday”, wskaźnik „a1” (tryb Auto Set) gaśnie, a następnie funkcja Auto Set jest automatycznie wyłączana.

Tryb Holiday

Tryb Holiday jest przydatny w przypadku, gdy chłodziarka nie jest używana przez dłuższy czas. Gdy tryb Holiday jest włączony, temperatura w zamrażarce jest sterowana w sposób standardowy, a temperatura chłodziarki jest automatycznie ustawiana na 17°C. Rzeczywista temperatura nie przekracza 17°C, co zapobiega powstawaniu nieprzyjemnego zapachu spowodowanego zbyt wysoką temperaturą, a jednocześnie pomaga zmniejszyć zużycie energii.

1. Gdy ekran wyświetlacza jest odblokowany, naciśnij przycisk „B” (wybór trybu Holiday), brzęczyk zadzwoni jeden raz, wskaźnik „b” (tryb Holiday) zaświeci się, a następnie zostanie włączona funkcja Holiday.
2. Gdy wskaźnik „b” (tryb Holiday) zaświeci się, naciśnij przycisk „B” (przełącznik trybu Holiday), brzęczyk zadzwoni raz, wskaźnik „b” (tryb Holiday) zgaśnie, a następnie funkcja Holiday zostanie wyłączona



i Uwaga

W trybie Holiday nie można regulować temperatury chłodziarki. Jeśli przycisk „D1” (przycisk regulacji temperatury „-”) lub przycisk „D2” (przycisk regulacji temperatury „+”) zostanie naciśnięty w celu regulacji temperatury chłodziarki, wskaźnik „b” (wskaźnik Holiday) będzie migać i rozlegnie się dźwięk wskazujący, że nie można wykonać tej operacji.

Przed użyciem funkcji Holiday należy opróżnić chłodziarkę, aby zapobiec zepsuciu się przechowywanej żywności. Gdy funkcja Holiday jest włączona, nie można jednocześnie włączyć funkcji „Auto Set” lub „Super-Cool”.

Funkcja Super-Cool

1. Gdy ekran wyświetlacza jest odblokowany, naciśnij przycisk „F” (przełącznik Super-Cool), brzęczyk zadzwoni jeden raz, wskaźnik „f” (funkcja Super-Cool) zaświeci się, a następnie funkcja Super-Cool zostanie włączona.
2. Gdy zaświeci się wskaźnik „f” (funkcja Super-Cool), naciśnij przycisk „F” (przełącznik funkcji Super-Cool), brzęczyk zadzwoni jeden raz, wskaźnik „f” (funkcja Super-Cool) zgaśnie, a następnie funkcja Super-Cool zostanie wyłączona.
3. Po włączeniu funkcji Super-Cool chłodziarka automatycznie ją wyłączy, gdy osiągnięty zostanie określony stan. Jeśli chcesz zamknąć ją ręcznie, możesz nacisnąć przycisk „F” (przełącznik Super-Cool).



i Uwaga

W trybie Super-Cool nie można regulować temperatury chłodziarki. Jeśli przycisk „D1” (przycisk regulacji temperatury „-”) lub przycisk „D2” (przycisk regulacji temperatury „+”) zostanie naciśnięty w celu regulacji temperatury chłodziarki, wskaźnik „f” (wskaźnik Super-Cool) będzie migać i rozlegnie się dźwięk wskazujący, że nie można wykonać tej operacji.

Po uruchomieniu funkcji Super-Cool nie można jednocześnie włączyć funkcji Auto-Set lub Holiday ze względu na różne tryby sterowania. Gdy wybierzesz funkcję, która koliduje z inną funkcją, pierwotnie wybrana funkcja zostanie automatycznie zamknięta.

Funkcja Super-Freeze (Super-Frz)

1. Gdy ekran wyświetlacza jest odblokowany, naciśnij przycisk „E” (przełącznik Super-Frz.), brzęczyk zadzwoni raz, wskaźnik „e1” (funkcja Super-Freeze) zapali się, a następnie funkcja Super-Freeze zostanie włączona.
2. Gdy zaświeci się wskaźnik „e1” (funkcja Super-Freeze), naciśnij przycisk „E” (przełącznik funkcji Super-Frz.), brzęczyk zadzwoni jeden raz, wskaźnik „e1” (funkcja Super-Freeze) zgaśnie, a następnie funkcja Super-Freeze zostanie wyłączona.
3. Po włączeniu funkcji Super-Freeze chłodziarka automatycznie ją wyłączy, gdy osiągnięty zostanie określony stan. Jeśli chcesz zamknąć ją ręcznie, możesz nacisnąć przycisk „E” (przełącznik Super-Frz.).



Uwaga

W stanie Super-Freeze nie można regulować temperatury zamrażarki. Jeśli przycisk „D1” (przycisk regulacji temperatury „-”) lub przycisk „D2” (przycisk regulacji temperatury „+”) zostanie naciśnięty w celu regulacji temperatury zamrażarki, wskaźnik „e1” (wskaźnik Super-Frz.) będzie migać i rozlegnie się dźwięk wskazujący, że nie można wykonać tej operacji.

Po uruchomieniu funkcji Super-Freeze nie można jednocześnie włączyć funkcji Auto-Set ze względu na różne tryby sterowania. Gdy wybierzesz funkcję, która koliduje z inną funkcją, pierwotnie wybrana funkcja zostanie automatycznie zamknięta.

Funkcja filtrowania

Gdy chłodziarka działa przez sześć miesięcy, wskaźnik przypomnienia „c3” (funkcja resetowania filtra) zaświeci się, aby przypomnieć użytkownikom o konieczności wymiany filtra. Po wymianie filtra przytrzymaj przycisk „C” (przełącznik funkcji resetowania filtra) przez 3 sekundy, aby anulować przypomnienie; odliczanie czasu zostanie zresetowane i rozlegnie się dzwonek brzęczyka.

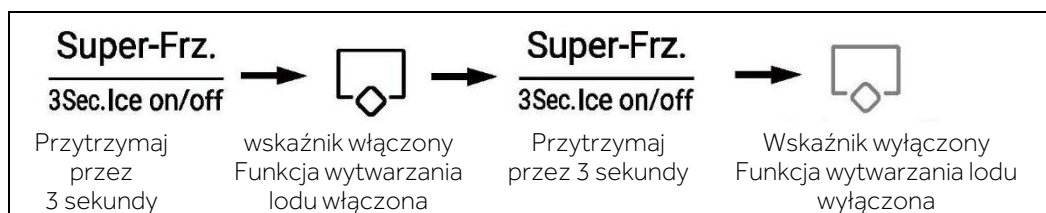


Uwaga

Normalna żywotność filtra wynosi sześć miesięcy. Zaleca się wymianę filtra co sześć miesięcy.

Tryb Kostkarki do lodu

1. W stanie odblokowanym naciśnij przycisk „E” (przełącznik trybu kostkarki do lodu) i przytrzymaj przez 3 sekundy, brzęczyk zadzwoni jeden raz, zaświeci się wskaźnik „e2” (tryb kostkarki do lodu), a następnie tryb kostkarki do lodu zostanie włączony.
2. Kiedy zaświeci się wskaźnik „e2” (tryb kostkarki do lodu), naciśnij przycisk „E” (przełącznik trybu kostkarki do lodu) i przytrzymaj przez 3 sekundy, brzęczyk zadzwoni jeden raz, wskaźnik „e2” (tryb kostkarki do lodu) zgaśnie i wówczas tryb kostkarki do lodu zostanie wyłączony



Uwaga

Gdy aplikacja jest włączona, kostkarka do lodu jest domyślnie wyłączona.

Jeśli nie potrzebujesz kostek lodu przez dłuższy czas, wyłącz funkcję kostkarki do lodu, opróżnij pojemnik i włóż oczyszczony pojemnik.

Kostkarka do lodu może być konfigurowana tylko u producenta lub zakupiona od jego przedstawiciela serwisowego.

Funkcja dopływu wody

Niezależnie od stanu (zablokowane lub odblokowane), naciśnij przycisk „H1” (przełącznik funkcji dopływu wody), brzęczyk zadzwoni raz, wskaźnik „h1” (funkcja dopływu wody) zapali się, a następnie funkcja dopływu wody zostanie włączona.

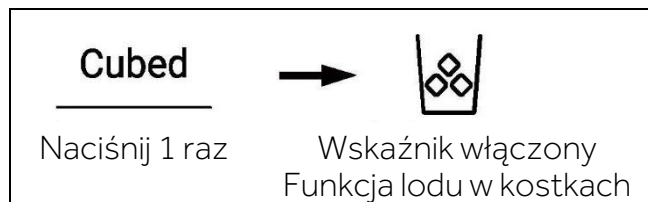


Uwaga

1. Gdy świeci się wskaźnik „h1” (funkcja poboru wody), wskaźnik „h2” (funkcja kostki lodu) i wskaźnik „h3” (funkcja kruszonego lodu) gasną. Po naciśnięciu łopatkki dozownika woda wypłynie z otworu wlotowego.
2. Gdy czas dopływu wody osiągnie 150 sekund, chłodziarka wyda sygnał dźwiękowy i woda będzie płynąć do momentu, gdy czas dopływu wyniesie 180 sekund; woda zostanie wówczas odcięta i zawór wody uruchomi czas ochrony wynoszący 200 sekund. Po jego upływie można wznowić pobór wody.
3. Kiedy skumulowany czas poboru wody osiągnie 5 minut w ciągu 10 minut, zawór wody wchodzi w 10-minutowy czas ochrony, a następnie pobór wody może zostać ponownie przeprowadzony.

Funkcja lodu w kostkach

Niezależnie od stanu (zablokowane lub odblokowane), naciśnij przycisk „H2” (przełącznik funkcji lodu w kostkach), brzęczyk zadzwoni raz, wskaźnik „h2” (funkcja lodu w kostkach) zapali się, a następnie funkcja wytwarzania lodu w kostkach zostanie włączona.

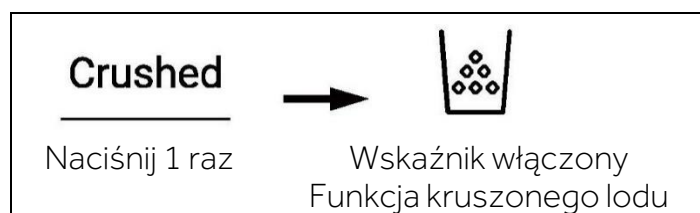


Uwaga

1. Gdy zaświeci się wskaźnik „h2” (funkcja lodu w kostkach), wskaźnik „h1” (funkcja poboru wody) i wskaźnik „h3” (funkcja kruszonego lodu) zgasną. Po naciśnięciu mikroprzełącznika dystrybutora z otworu wlotowego wypadnie lód w kostkach.
2. Gdy kostkarka do lodu jest po raz pierwszy podłączona do prądu, funkcja lodu w kostkach jest domyślnie wyłączona.
3. Naciśnij mikroprzełącznik dozownika, jego podświetlenie włączy się po otwarciu pokrywy. Następnie silnik mechanizmu kruszenia lodu zaczyna się obracać w kierunku przeciwnym do ruchu wskazówek zegara, aby wypchnąć kostki lodu. Poluzuj mikrowyłącznik urządzenia, silnik kruszenia lodu zatrzyma się, pokrywa urządzenia zamknie się, a światło zgaśnie po 5 sekundach.
4. W trybie wytwarzania lodu w kostkach, gdy czas pobierania kostek lodu jest dłuższy niż 50 sekund, brzęczyk zacznie ostrzegać (pukać), aby zasygnalizować, że użytkownicy muszą go wyłączyć. Gdy czas osiągnie 1 minutę, wymuszone zostaje zatrzymanie wytwarzania kostek lodu; zostanie ono wznowione po ponownym naciśnięciu przełącznika.
5. W trybie wytwarzania lodu w kostkach, jeśli drzwi chłodziarki zostaną otwarte, silnik podający lód zatrzyma się, pokrywa dystrybutora będzie zamknięta, zgaśnie kontrolka dystrybutora, a funkcja wytwarzania lodu w kostkach zostanie zatrzymana.
6. Zabronione jest pobieranie lodu przy otwartych drzwiach chłodziarki.

Funkcja kruszonego lodu

Niezależnie od stanu (zablokowane lub odblokowane), naciśnij przycisk „H3” (przełącznik funkcji kruszonego lodu), brzęczyk zadzwoni raz, wskaźnik „h3” (funkcja kruszonego lodu) zapali się, a następnie funkcja kruszonego lodu zostanie włączona.



i Uwaga

Gdy zaświeci się wskaźnik „h3” (funkcja lodu w kostkach), wskaźnik „h1” (funkcja poboru wody) i wskaźnik „h2” (funkcja kruszonego lodu) zgasną. Po naciśnięciu mikroprzełącznika dystrybutora kruszony lód wypłynie z otworu wlotowego.

Naciśnij mikroprzełącznik dozownika, jego podświetlenie włączy się po otwarciu pokrywy. Następnie silnik mechanizmu kruszenia lodu zaczyna się obracać zgodnie z ruchem wskazówek zegara, aby wypchnąć kostki lodu. Poluzuj mikroprzełącznik dozownika; silnik kruszenia lodu zatrzyma się, pokrywa dozownika zamknie się, a lampka zgaśnie po 5 sekundach.

W trybie kruszenia lodu, gdy czas kruszenia lodu jest dłuższy niż 50 sekund, brzęczyk zacznie ostrzegać (pukać), aby zasygnalizować, że użytkownicy muszą go wyłączyć. Gdy czas osiągnie 1 minutę, wymuszone zostaje zatrzymanie kruszenia lodu; zostanie ono wznowione po ponownym naciśnięciu przełącznika.

W trybie lodu kruszonego, jeśli drzwi chłodziarki zostaną otwarte, silnik podający lód zatrzyma się, pokrywa dystrybutora będzie zamknięta, zgaśnie kontrolka dystrybutora, a funkcja lodu kruszonego zostanie zatrzymana.

Kruszenie lodu przy otwartych drzwiach chłodziarki jest zabronione.

Alarm otwarcia drzwi

Jeśli drzwi pozostają zbyt długo otwarte lub nie są dobrze zamknięte, chłodziarka będzie emitować sygnał dźwiękowy w określonych odstępach czasu, aby przypomnieć o zamknięciu drzwi.

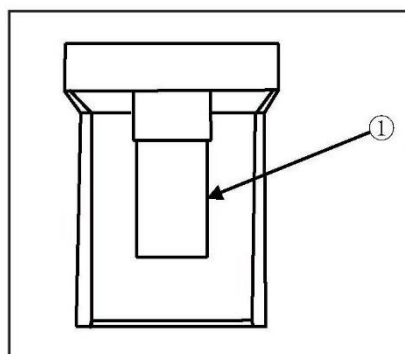
Pamięć podczas awarii zasilania

Zapamiętywany jest stan roboczy w chwili wyłączenia zasilania. Po ponownym włączeniu urządzenie działa zgodnie z ustawieniem przed wyłączeniem

Korzystanie z dozownika lodu i wody

Naciśnij kilkakrotnie przycisk wyboru dozownika, aż zaświeci się kontrolka nad żądanym wskaźnikiem.

Naciśnij łopatkę dozownika (1) szklanką lub innym pojemnikiem, aby pobrać lód w kostkach, wodę lub lód kruszony.

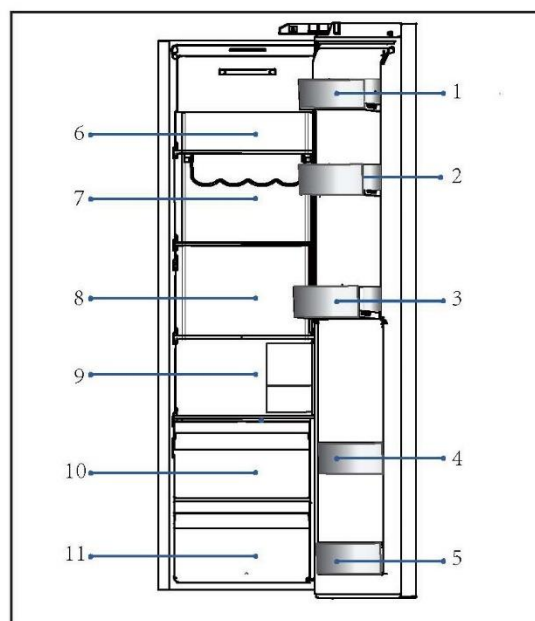


WSKAZÓWKI DOTYCZĄCE PRZECHOWYWANIA ŚWIEŻEJ ŻYWNOŚCI

Przechowywanie w komorze chłodziarki

1. Należy utrzymywać temperaturę w chłodziarce poniżej 5 °C.
2. Gorące jedzenie musi zostać schłodzone do temperatury pokojowej przed włożeniem go do urządzenia.
3. Żywność przechowywaną w chłodziarce należy umyć i wysuszyć przed przechowywaniem.
4. Przechowywana żywność powinna być odpowiednio zamknięta, co pozwoli uniknąć zmiany zapachu lub smaku.
5. Nie przechowuj nadmiernych ilości żywności. Należy zachować odstępy pomiędzy produktami spożywczymi, aby umożliwić cyrkulację zimnego powietrza dla zapewnienia lepszego i bardziej jednorodnego chłodzenia
6. Żywność spożywaną codziennie należy przechowywać z przodu półki.
7. Pozostaw szczelinę między żywnością a ścianami wewnętrznymi, umożliwiając przepływ powietrza. W szczególności nie przechowuj żywności przy tylnej ścianie: żywność może przymarznąć do tylnej ściany. Unikaj bezpośredniego kontaktu żywności (zwłaszcza tłustej lub kwaśnej) z wkładką wewnętrzną, ponieważ olej/kwas może spowodować erozję wkładki wewnętrznej. Usuń tłuste/kwaśne zabrudzenia, gdy tylko się pojawią.
8. Rozmrażaj mrożoną żywność w komorze chłodziarki. W ten sposób można wykorzystać zamrożoną żywność do obniżenia temperatury w komorze i oszczędzania energii.
9. Proces starzenia owoców i warzyw, takich jak cukinia, melon, papaja, banan, ananas itp. można przyspieszyć w chłodziarce. Dlatego nie zaleca się przechowywania ich w chłodziarce. Jednak przez pewien czas możliwe jest przyspieszenie dojrzewania zielonych owoców. Cebula, czosnek, imbir i inne warzywa korzeniowe również powinny być przechowywane w temperaturze pokojowej.
10. Nieprzyjemne zapachy wewnątrz chłodziarki to znak, że coś się rozlało i konieczne jest czyszczenie. Zobacz „PIELĘGNACJA I CZYSZCZENIE”.
11. Różne rodzaje żywności należy umieszczać w różnych miejscach zgodnie z ich właściwościami:

- 1-Masło, sery itp.
- 2-Jaja, konserwy, przyprawy itp.
- 3/4/5-Napoje i żywność w butelkach.
- 6-Żywność marynowana, konserwy itp.
- 7/8-Produkty mięsne, ryby, surowa żywność
- 9-Puszki, produkty mleczne itp.
- 10-Owoce, warzywa, sałata itp.
- 11-Gotowane mięso, kiełbaski itp.

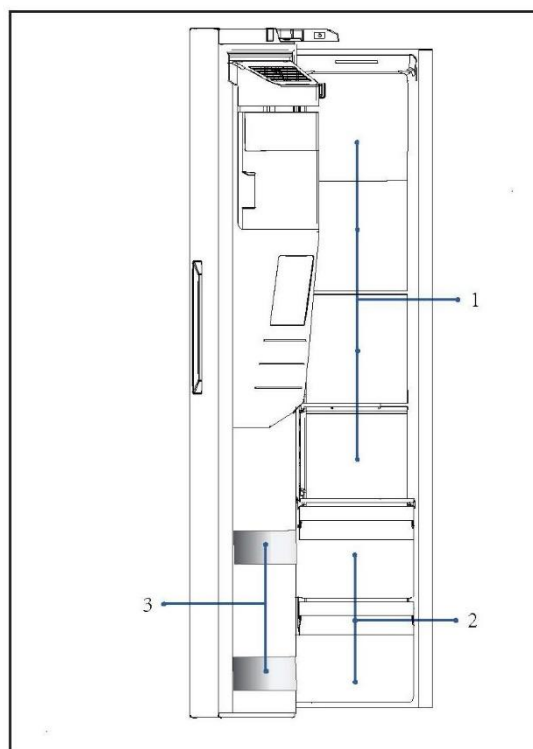


WSKAZÓWKI DOTYCZĄCE PRZECHOWYWANIA ŚWIEŻEJ ŻYWNOŚCI

Przechowywanie w komorze zamrażarki

1. Utrzymuj temperaturę zamrażarki na poziomie -18°C .
2. 12 godzin przed zamrożeniem dodatkowych artykułów włącz funkcję Super-Freeze; w przypadku małych ilości jedzenia wystarczy 4-6 godzin.
3. Gorące jedzenie musi zostać schłodzone do temperatury pokojowej przed włożeniem go do komory zamrażarki.
4. Żywność pokrojona na małe porcje zamraża się szybciej i jest łatwiejsza do rozmrożenia i ugotowania. Zalecana waga każdej porcji wynosi mniej niż 2,5 kg.
5. Zaleca się zapakowanie żywności przed jej włożeniem do zamrażarki. Zewnętrzna strona opakowania musi być sucha, aby uniknąć sklejania się worków. Materiały opakowaniowe powinny być bezwonne, hermetyczne, nietrujące i nietoksyczne.
6. Aby uniknąć upływu terminu przydatności do spożycia, należy podać na opakowaniu datę zamrożenia, termin i nazwę produktu, zgodnie z okresami przechowywania różnych produktów spożywczych.
7. **OSTRZEŻENIE!:** Kwas, zasady, sól itp. mogą spowodować erozję wewnętrznej powierzchni zamrażarki. Nie należy umieszczać żywności zawierającej te substancje (np. ryb morskich) bezpośrednio na wewnętrznej powierzchni. Słona woda w zamrażarce powinna być natychmiast oczyszczona.
8. Nie należy przekraczać czasu przechowywania żywności zalecanego przez producentów. Należy wyjąć z zamrażarki tylko wymaganą ilość jedzenia.
9. Różne rodzaje żywności należy umieszczać w różnych miejscach zgodnie z ich właściwościami:

- 1- Produkty o mniejszej wadze, takie jak lody, warzywa, chleb itp.
- 2- Duże / cięższe porcje jedzenia, takie jak kawałki mięsa do pieczenia
- 3- Pizza itp.



UWAGA: PRZECHOWYWANIE

1. Zachowaj odległość większą niż 10 mm między żywnością a czujnikiem, aby zapewnić efekt chłodzenia.
2. Należy pozostawić najniższą szufladę w urządzeniu podczas jego pracy, aby zapewnić efekt chłodzenia.
3. Artykuły spożywcze zawierające lód (np. lody itp.) należy przechowywać w komorze zamrażarki, a nie w uchwytach na butelki. Zmiany temperatury, na jakie narażone są uchwyty na butelki, spowodowane otwieraniem i zamykaniem drzwiczek, mogą spowodować rozmrożenie żywności.
4. Należy szybko spożyć rozmrożoną żywność. Rozmrożonej żywności nie można ponownie zamrozić, chyba że została wcześniej ugotowana, w przeciwnym razie może stać się niejadalna.
5. Nie wkładaj nadmiernej ilości świeżej żywności do komory zamrażarki. Patrz pojemność zamrażarki - patrz DANE TECHNICZNE lub dane na tabliczce znamionowej.
6. Żywność można przechowywać w zamrażarce w temperaturze co najmniej -18°C przez 2 do 12 miesięcy, w zależności od jej właściwości (np. mięso: 3-12 miesięcy, warzywa: 6-12 miesięcy)
7. Podczas zamrażania świeżej żywności należy unikać kontaktu z już zamrożoną żywnością. Ryzyko rozmrożenia!
8. Rozmrażaj zamrożoną żywność w chłodziarce. W ten sposób można wykorzystać zamrożoną żywność do obniżenia temperatury w komorze i oszczędzania energii.

Przechowując komercyjnie zamrożoną żywność, należy przestrzegać następujących wytycznych:

1. Zawsze postępuj zgodnie z wytycznymi producenta dotyczącymi czasu przechowywania żywności. Nie przekraczaj czasu wskazanego w tych wytycznych!
2. Staraj się, aby czas od zakupu do umieszczenia w zamrażarce był jak najkrótszy, aby zachować jakość żywności.
3. Kupuj mrożonki, które były przechowywane w temperaturze -18°C lub niższej.
4. Unikaj kupowania żywności, której opakowanie jest pokryte lodem lub szronem — oznacza to, że produkty mogły w pewnym momencie zostać częściowo rozmrożone i ponownie zamrożone — wzrost temperatury wpływa na jakość żywności.

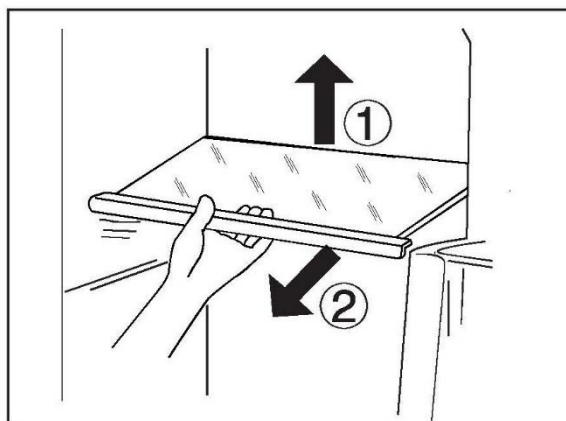


Wskazówki dotyczące oszczędzania energii

- ▶ Upewnij się, że urządzenie jest właściwie wentylowane (patrz MONTAŻ).
- ▶ Nie należy instalować urządzenia w bezpośrednim świetle słonecznym lub w pobliżu źródeł ciepła (np. pieców, grzejników).
- ▶ Unikaj niepotrzebnie niskiej temperatury w urządzeniu. Zużycie energii zwiększa się wraz z ustawieniem niższej temperatury w urządzeniu.
- ▶ Funkcje takie jak POWER- FREEZE zwiększają zużycie energii.
- ▶ Przed włożeniem ciepłej żywności do urządzenia należy poczekać, aż ostygnie.
- ▶ Otwieraj drzwi możliwie rzadko i na krótko.
- ▶ Nie przepętniaj urządzenia, aby nie blokować przepływu powietrza.
- ▶ Unikaj powietrza w opakowaniu z żywnością.
- ▶ Utrzymuj w czystości uszczelki drzwi, aby zapewnić prawidłowe ich zamykanie
- ▶ Rozmrażaj mrożoną żywność w komorze chłodziarki.
- ▶ Najbardziej energooszczędna konfiguracja wymaga, aby pojemniki i półki były umieszczone w urządzeniu jak w stanie fabrycznym, a żywność powinna być rozmieszczona w taki sposób, aby nie blokowała wylotu kanału wentylacyjnego.

Regulowane półki

1. Wysokość półek można dostosować do potrzeb przechowywania.
2. Aby przenieść półkę, zdejmij ją najpierw, podnosząc tylną krawędź ① i wyciągając ②.
3. Aby ponownie zamontować półkę, należy nałożyć ją na uchwyty po obu stronach i przesunąć do pozycji najbardziej wysuniętej do tyłu, aż tylna część półki znajdzie się w szczelinach po bokach

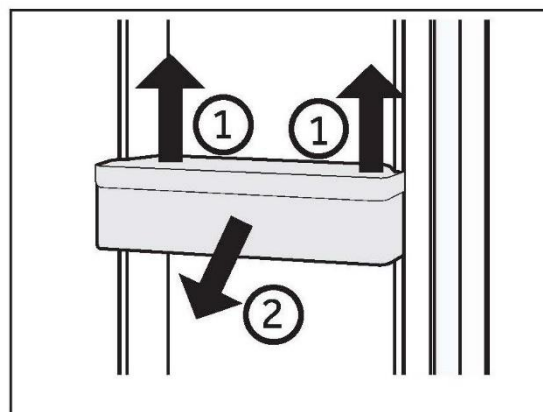


UWAGA

Upewnij się, że wszystkie końce półki są wypoziomowane.

Zdejmowane półki na drzwiach/uchwyt na butelki

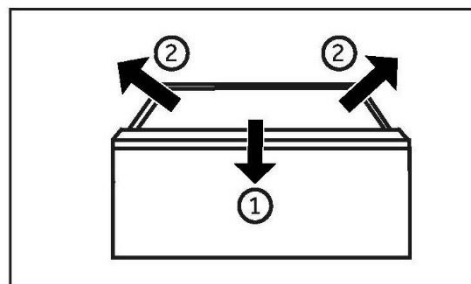
1. Półki na drzwiach/uchwyt na butelki można wyjąć do czyszczenia:
2. Umieścić ręce po obu stronach stojaków/uchwytów na butelki, podnieść je do góry ① i wyciągnij ②.
3. Aby włożyć półki na drzwi/uchwyt na butelki, powyższe kroki należy wykonać w odwrotnej kolejności



Wymowana szuflada

Aby wyjąć szufladę, wyciągnij ją maksymalnie ①, podnieś i wyjmij ②.

W celu ponownego włożenia szuflady powyższe czynności wykonuje się w odwrotnej kolejności.



Pojemnik na lód

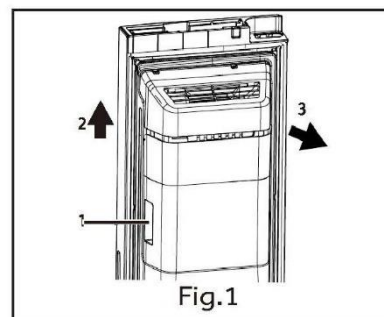
Zatrzymanie produkcji lodu

Jeśli lód lub woda nie są potrzebne przez dłuższy czas, zawór między dopływem wody a urządzeniem można zamknąć.

Pojemnik na lód należy wyczyścić, wysuszyć i włożyć z powrotem do urządzenia, aby zapobiec powstawaniu przykrych zapachów.

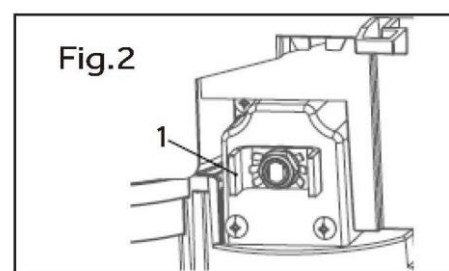
Wymywanie pojemnika na lód

1. Chwyć oba boczne uchwyty.
2. Podnieś pojemnik.
3. Wyciągnij pojemnik.



Ponowna instalacja pojemnika na lód

Aby ponownie zainstalować pojemnik na lód, wspornik w kształcie litery U za pojemnikiem na lód (1 na rys. 2) musi być wyrównany z odpowiednią metalową konstrukcją. Wykonaj czynności z rys. 1 w odwrotnej kolejności.



UWAGA

Wilgoć może skraplać się i zamrażać pojemnik na lód.



OSTRZEŻENIE!

Przed czyszczeniem odłącz urządzenie od zasilania sieciowego.

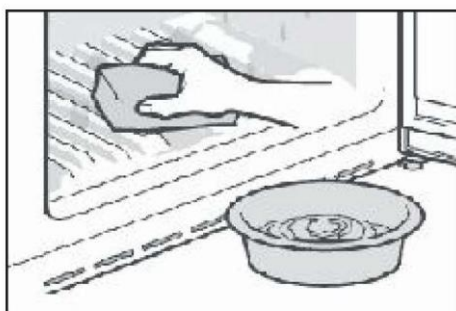
Czyszczenie

Urządzenie należy czyścić, gdy przechowywana jest niewielka ilość żywności lub nie ma jej wcale. Urządzenie powinno być czyszczone co cztery tygodnie, aby zapewnić dobrą konserwację i zapobiec nieprzyjemnym zapachom przechowywanej żywności.



OSTRZEŻENIE!

- ▶ Nie czyść urządzenia za pomocą twardych szczotek, szczotek drucianych, detergentów proszkowych, benzyny, octanu amylnego, acetonu i podobnych roztworów organicznych, kwasu lub roztworów alkalicznych. Do czyszczenia należy używać specjalnego detergentu do chłodziarek, aby uniknąć uszkodzenia.
- ▶ Nie używaj aerozolu ani nie przepłukuj urządzenia podczas czyszczenia.
- ▶ Nie używaj wody lub pary do czyszczenia urządzenia.
- ▶ Nie czyść zimnych szklanych półek gorącą wodą. Nagła zmiana temperatury może spowodować pęknięcie szkła.
- ▶ Nie dotykaj wnętrza komory, zwłaszcza mokrymi rękami, ponieważ mogą one przymarznąć do jej powierzchni.
- ▶ W przypadku zwiększenia temperatury sprawdzić stan zamrożonych produktów.



- ▶ Uszczelka drzwi powinna być zawsze utrzymywana w czystości.
 - ▶ Czyść wnętrze i obudowę urządzenia gąbką zanurzoną w ciepłej wodzie i neutralnym detergentem.
1. Czyścić wnętrze i zewnętrzną część chłodziarki, w tym uszczelnienie drzwi, stojak na drzwi, szklane półki, pudełka itd., miękkim ręcznikiem lub gąbką zanurzoną w ciepłej wodzie (można dodać neutralny detergent do ciepłej wody).
 2. W przypadku rozlania płynu usunąć wszystkie zanieczyszczone części, bezpośrednio spłukać bieżącą wodą, osuszyć i włożyć z powrotem do chłodziarki.
 3. W przypadku rozlanego kremu (np. śmietany, topniejących lodów), należy wyjąć wszystkie zanieczyszczone części, włożyć je na chwilę do ciepłej wody o temperaturze ok. 40°C, następnie spłukać bieżącą wodą, osuszyć i włożyć z powrotem do chłodziarki.
 4. W przypadku, gdy jakaś mała część lub element dostanie się do wnętrza chłodziarki (pomiędzy półki lub szuflady), użyć małego miękkiego pędzelka, aby go wyciągnąć. Jeśli nie udało się dotrzeć do tego elementu, prosimy o kontakt z serwisem Haier
- ▶ Spłucz i wysusz miękką ściereczką.
 - ▶ Nie należy myć żadnych części urządzenia w zmywarce do naczyń.
 - ▶ Odczekaj co najmniej 5 minut przed ponownym uruchomieniem urządzenia, ponieważ częste uruchamianie może uszkodzić sprężarkę.

Rozmrażanie

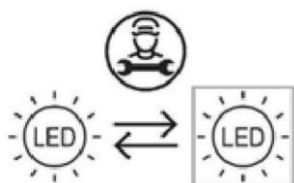
Rozmrażanie komór chłodziarki i zamrażarki przebiega automatycznie; nie jest wymagana ręczna obsługa.

Wymiana lampek LED

OSTRZEŻENIE!

Nie wolno samodzielnie wymieniać lampy LED, może to zrobić tylko producent lub autoryzowany serwis.

Jako źródło światła lampy wykorzystują diody LED, charakteryzujące się niskim zużyciem energii i długą żywotnością. W przypadku wystąpienia jakichkolwiek nieprawidłowości prosimy o kontakt z działem obsługi klienta. Zob. OBSŁUGA KLIENTA.



Wymienne (tylko LED) źródło światła przez profesjonalistę.

Ten produkt zawiera źródło światła o klasie efektywności energetycznej G.

Komora	Napięcie	Klasa efektywności energetycznej	Model
Chłodziarka	12 V	G	HSW59F18DIMM
Zamrażarka	12 V	G	HSW79F18DIPT
Lampka tylna	12 V	G	

Czyszczenie pojemnika na lód

Pojemnik na lód należy okresowo czyścić ciepłą wodą, zwłaszcza jeśli kostki lodu się starzeją i stają się nieświeże. Dobrze osusz pojemnik przed ponownym włożeniem go do urządzenia, aby zapobiec przywieraniu kostek lodu do ścianek.

Nieużytkowanie przez dłuższy okres

Jeżeli urządzenie nie będzie używane przez dłuższy czas i nie będzie wykorzystywana funkcja Holiday chłodziarki:

- ▶ Wyjmij żywność.
- ▶ Odłącz przewód zasilający.
- ▶ Wyczyść urządzenie jak opisano powyżej.
- ▶ Zostaw drzwi otwarte, aby zapobiec tworzeniu się wewnątrz nieprzyjemnych zapachów.

UWAGA

Wyłącz urządzenie tylko wtedy, gdy jest to absolutnie konieczne.



Przenoszenie urządzenia

1. Wyjmij wszystkie produkty spożywcze i odłącz urządzenie od zasilania.
2. Zabezpiecz taśmą klejącą półki i inne ruchome części w zamrażarce.
3. Nie przechylaj chłodziarki pod kątem większym niż 45°, aby uniknąć uszkodzenia układu chłodniczego.



OSTRZEŻENIE!

- ▶ Nie podnoś urządzenia za klamki.
- ▶ Nigdy nie należy ustawiać urządzenia poziomo na ziemi.

Wymiana filtra

Filtr wody należy wymieniać mniej więcej co 6 miesięcy, gdy zaświeci się wskaźnik „c3” (funkcja resetowania filtra).

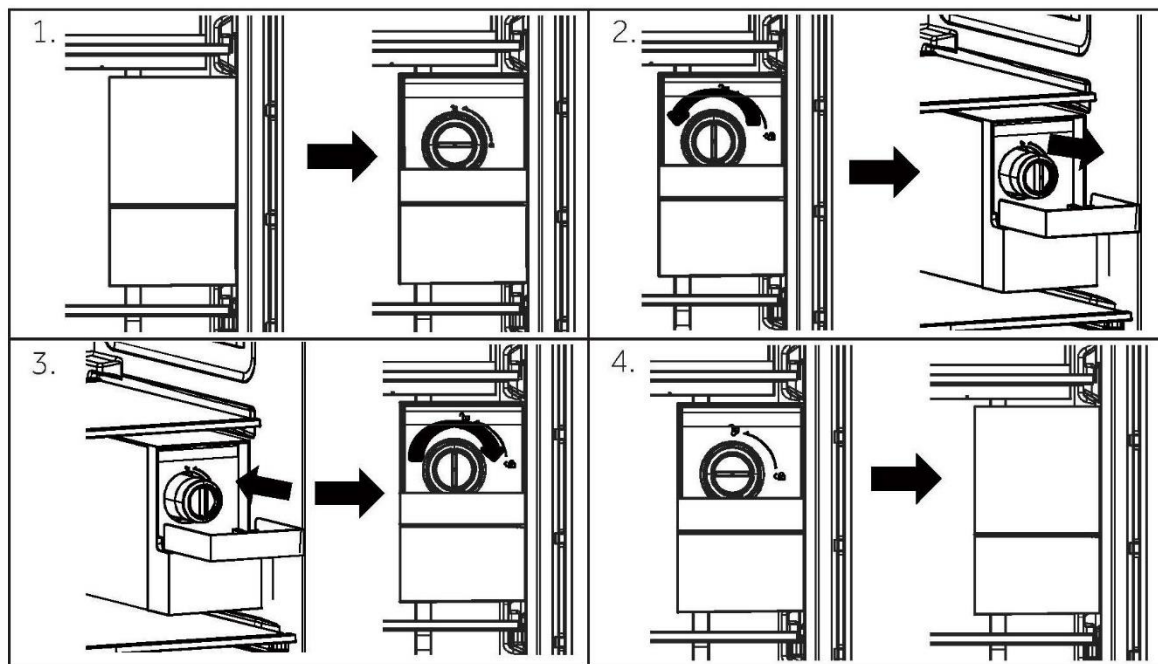
Aby kupić filtr wody na wymianę:

- Użyj wymiennego wkładu: HRXWF,
- Skontaktuj się z lokalnym sprzedawcą lub dystrybutorem. Aby uzyskać dalszą pomoc, odwiedź naszą stronę internetową www.haierpares.eu



Uwaga

- ▶ Wymiana filtra wody powoduje spuszczenie niewielkiej ilości wody (około 25 cm³).
 - ▶ Owiń ściereczką wokół przedniej części pokrywy filtra wody, aby zebrać wyciekającą wodę. Po wyjęciu filtra wody, trzymaj go pionowo, aby zapobiec wylaniu się pozostałej wody z filtra.
1. Naciśnij środek górnej pokrywy i obróć w dół.
 2. Wyjmij jednorazowy filtr wody.
 3. Zamontuj nowy filtr wody. Włóż nowy filtr do głowicy filtra i obracaj go zgodnie z ruchem wskazówek zegara, aż strzałka na nowym filtrze zrówna się ze strzałką na głowicy filtra. Wsuń filtr z powrotem do komory.
 4. Zamknij pokrywę filtra wody.



5. Naciśnij i przytrzymaj przycisk 3Sec. Filter Reset przez 3 sekundy.
6. Pobieraj wodę przez około 5 minut, aby usunąć uwięzione powietrze i zanieczyszczenia.



OSTROŻNIE!

- ▶ Niedokonanie wymiany filtrów, gdy jest to konieczne, lub stosowanie filtrów do wody niezatwierdzonych przez firmę Haier może spowodować wyciekanie wody z wkładu filtra i uszkodzenie mienia.

Filtr wody

Model: Haier HRXWF

- ▶ System certyfikowany przez IAPMO R&T zgodnie ze standardami NSF/ANSI 42, 53, 401 i P473 w celu ograniczenia roszczeń na podstawie danych określonych w karcie charakterystyki i w iapmort.org.
- ▶ Rzeczywista wydajność może się różnić w zależności od lokalnej instalacji wodnej.

Wytyczne dotyczące stosowania/parametry instalacji wodnej

Przepływ roboczy: 0,5 g/min (1,89 obr./min)

Instalacja wodna: Woda pitna

Ciśnienie wody: 25-120 psi (172-827 kPa)

Temperatura wody: 0,6°C-38°C

Pojemność: 170 galonów (643,5 litra)



Aby produkt działał zgodnie z deklaracją producenta, konieczne jest spełnienie wymagań dotyczących instalacji, konserwacji i wymiany filtrów. Informacje o gwarancji można znaleźć w instrukcji instalacji.

Uwaga

Chociaż testy przeprowadzono w standardowych warunkach laboratoryjnych, rzeczywista wydajność może się różnić. Wkład wymienny: HRXWF Szacunkowe koszty wymiany elementów można znaleźć na naszej stronie internetowej www.haierespares.eu.

OSTRZEŻENIE!

- ▶ Aby zmniejszyć ryzyko związane ze spożyciem zanieczyszczeń:
- ▶ Nie stosuj wody, która nie spełnia norm mikrobiologicznych lub jej jakość nie jest znana bez dokonania odpowiedniej dezynfekcji przed lub poza systemem. Po dezynfekcji wody, która może zawierać mikroorganizmy możliwe do odfiltrowania, można zastosować systemy certyfikowane do redukcji mikroorganizmów.

Uwaga

Aby zmniejszyć ryzyko wycieku wody lub zalania i zapewnić optymalną wydajność filtra:

- ▶ Przed instalacją i użyciem tego systemu zapoznaj się z instrukcjami użytkownika i postępuj zgodnie z nimi.
- ▶ Instalacja i użytkowanie MUSZĄ być zgodne ze wszystkimi stanowymi i lokalnymi przepisami dotyczącymi instalacji hydraulicznych.
- ▶ Nie instaluj, jeśli ciśnienie wody przekracza 120 psi (827 kPa). Jeśli ciśnienie wody przekracza 80 psi (552 kPa), należy zainstalować zawór ograniczający ciśnienie. Skontaktuj się z instalatorem, jeśli nie masz pewności, jak zmierzyć ciśnienie wody.
- ▶ Nie instaluj w miejscach, w których mogą wystąpić uderzenia hydrauliczne. Jeśli istnieje ryzyko uderzeń hydraulicznych, należy zainstalować odpowiedni tłumik. Skontaktuj się z hydraulikiem, jeśli nie wiesz, jak to sprawdzić.
- ▶ Nie instaluj na przewodach doprowadzających ciepłą wodę. Maksymalna robocza temperatura wody tego systemu filtrującego wynosi 38°C.
- ▶ Chroń filtr przed zamarzaniem. Opróżnij filtr, gdy temperatura spadnie poniżej 0,6°C.
- ▶ Wymieniaj jednorazowy wkład filtrujący co sześć miesięcy lub wcześniej, jeśli zauważysz zauważalne zmniejszenie szybkości przepływu wody.
- ▶ Niedokonanie wymiany jednorazowego wkładu filtra w zalecanych odstępach czasu może prowadzić do zmniejszenia wydajności filtra i pęknięć w jego obudowie, powodując wyciek wody lub zalanie.
- ▶ Ten system został przetestowany zgodnie z NSF/ANSI 42, 53, 401 i P473 pod kątem redukcji substancji wymienionych poniżej. Stężenie wskazanych substancji w wodzie wpływającej do systemu zostało zredukowane do stężenia mniejszego lub równego dopuszczalnemu limitowi dla wody opuszczającej system, zgodnie z NSF/ANSI 42, 53, 401 i P473.

Wiele problemów można rozwiązać samodzielnie, bez specjalistycznej wiedzy. W przypadku problemów prosimy sprawdzić wszystkie pokazane możliwości i postępować zgodnie z poniższymi instrukcjami przed skontaktowaniem się z obsługą posprzedażową. Zob. OBSŁUGA KLIENTA.



OSTRZEŻENIE!

- ▶ Przed przystąpieniem do konserwacji wyłącz urządzenie i wyjmij wtyczkę z gniazdka sieciowego.
- ▶ Urządzenie elektryczne powinno być serwisowane tylko przez wykwalifikowanych ekspertów, ponieważ niewłaściwe naprawy mogą spowodować znaczne szkody.
- ▶ Jeśli kabel zasilania jest uszkodzony, musi on zostać wymieniony przez producenta, serwisanta lub inną wykwalifikowaną osobę w celu uniknięcia niebezpieczeństwa.

Problem	Potencjalna przyczyna	Możliwe rozwiązanie
Sprężarka nie działa.	<ul style="list-style-type: none"> • Wtyczka sieciowa nie jest podłączona do gniazdka. • Urządzenie znajduje się w cyklu rozmrażania 	<ul style="list-style-type: none"> • Podłącz wtyczkę sieciową. • Jest to normalne w przypadku automatycznego odszraniania
Urządzenie działa często lub przez zbyt długi okres czasu.	<ul style="list-style-type: none"> • Temperatura wewnątrz i na zewnątrz urządzenia jest za wysoka. • Urządzenie było odłączone od zasilania przez określony czas. • Drzwi urządzenia nie są szczelnie zamknięte. • Drzwi były za często otwierane lub pozostawały długo otwarte. • Ustawienie temperatury w komorze zamrażarki jest zbyt niskie. • Uszczelki drzwi są zabrudzone, zużyte, pęknięte lub niedopasowane. • Wymagany przepływ powietrza nie jest gwarantowany. 	<ul style="list-style-type: none"> • W tym przypadku to normalne, że urządzenie będzie pracować dłużej. • Całkowite schłodzenie urządzenia trwa zazwyczaj od 8 do 12 godzin. • Zamknij drzwi i upewnij się, że urządzenie jest ustawione na płaskiej powierzchni i jedzenie lub pojemniki nie blokują drzwi. • Nie otwieraj drzwi/szuflad zbyt często. • Ustaw wyższą temperaturę, aż do uzyskania zadowalającej temperatury w chłodziarce. Temperatura chłodziarki ustabilizuje się po 24 godzinach. • Wyczyść uszczelki drzwi/szuflady lub wymień je z pomocą serwisu obsługi klienta. • Zapewnij odpowiednią wentylację.
Wnętrze chłodziarki jest brudne i/lub nieprzyjemnie pachnie.	<ul style="list-style-type: none"> • Wnętrze chłodziarki wymaga czyszczenia. • W chłodziarce przechowywana jest żywność o intensywnym zapachu. 	<ul style="list-style-type: none"> • Wyczyść wnętrze chłodziarki. • Dokładnie owiń żywność.



Problem	Potencjalna przyczyna	Możliwe rozwiązanie
Urządzenie wydaje dziwne dźwięki.	<ul style="list-style-type: none">• Urządzenie nie znajduje się na wypoziomowanym podłożu.• Urządzenie dotyka jakiegoś przedmiotu.	<ul style="list-style-type: none">• Wyreguluj nóżki, aby wypoziomować urządzenie.• Usuń obiekty znajdujące się w pobliżu urządzenia.
Wewnątrz urządzenia nie jest wystarczająco zimno.	<ul style="list-style-type: none">• Ustawiona temperatura jest za wysoka. Była przechowywana zbyt ciepła żywność.• W chłodziarce umieszczono zbyt dużą ilość żywności.• Żywność jest zbyt blisko siebie.• Drzwi/szuflada urządzenia nie są szczelnie zamknięte.• Drzwi/szuflad były za często otwierane lub pozostawały długo otwarte.	<ul style="list-style-type: none">• Ponownie ustaw temperaturę.• Zawsze schładzaj żywność przed jej włożeniem do urządzenia.• Zawsze przechowuj małe ilości żywności.• Pozostaw przestrzeń między produktami spożywczymi, umożliwiając przepływ powietrza.• Zamknij drzwi/szufladę.• Nie otwieraj drzwi/szuflad zbyt często.
Wnętrze urządzenia jest za zimne.	<ul style="list-style-type: none">• Temperatura jest za niska. Funkcja Super-Frz/Super-Cool jest włączona lub działa zbyt długo.	<ul style="list-style-type: none">• Ponownie ustaw temperaturę.• Wyłącz funkcję Super-Frz/Super-Cool
Powstawanie wilgoci na wewnętrznych ściankach komory.	<ul style="list-style-type: none">• Klimat jest zbyt ciepły i wilgotny.• Drzwi/szuflada urządzenia nie są szczelnie zamknięte.• Drzwi/szuflad były za często otwierane lub pozostawały długo otwarte.• Pojemniki na żywność lub płyny są otwarte.	<ul style="list-style-type: none">• Zwiększ temperaturę.• Zamknij drzwi/szufladę.• Nie otwieraj drzwi/szuflad zbyt często.• Pozostaw gorącą żywność do ostygnięcia do temperatury pokojowej i przykryj żywność oraz płyny.
Wilgoć gromadzi się na zewnętrznej powierzchni chłodziarki lub między drzwiami a szufladą.	<ul style="list-style-type: none">• Klimat jest zbyt ciepły i wilgotny.• Drzwi nie są szczelnie zamknięte. Zimne powietrze w urządzeniu i ciepłe na zewnątrz skrapla się.	<ul style="list-style-type: none">• Jest to normalne zjawisko w wilgotnym klimacie i zmieni się, gdy wilgotność spadnie.• Upewnij się, że drzwi/szuflada są szczelnie zamknięte.
Nadmierny lód i szron w komorze zamrażarki.	<ul style="list-style-type: none">• Artykuły spożywcze nie zostały odpowiednio zapakowane.• Drzwi/szuflada urządzenia nie są szczelnie zamknięte.• Drzwi/szuflad były za często otwierane lub pozostawały długo otwarte.• Uszczelki drzwi/szuflady są brudne, zużyte, pęknięte lub niedopasowane.• Coś w środku uniemożliwia prawidłowe zamknięcie drzwi/szuflady.	<ul style="list-style-type: none">• Zawsze właściwie pakuj artykuły spożywcze.• Zamknij drzwi/szufladę.• Nie otwieraj drzwi/szuflad zbyt często.• Wyczyść uszczelki drzwi lub wymień je na nowe.• Ponownie umieść półki, półki na drzwi lub pojemniki wewnętrzne, aby umożliwić zamknięcie drzwi/szuflady.

Problem	Potencjalna przyczyna	Możliwe rozwiązanie
Boki obudowy i listwa drzwiowa nagrzewają się.	<ul style="list-style-type: none"> - 	<ul style="list-style-type: none"> To normalne.
Urządzenie wydaje dziwne dźwięki.	<ul style="list-style-type: none"> Urządzenie nie znajduje się na wypoziomowanym podłożu. Urządzenie dotyka jakiegoś przedmiotu. 	<ul style="list-style-type: none"> Wyreguluj nóżki, aby wypoziomować urządzenie. Usuń obiekty znajdujące się w pobliżu urządzenia.
Słychać delikatny szum podobny do płynącej wody.	<ul style="list-style-type: none"> - 	<ul style="list-style-type: none"> To normalne.
Usłyszysz sygnał alarmowy.	<ul style="list-style-type: none"> Drzwi komory chłodziarki są otwarte. 	<ul style="list-style-type: none"> Zamknij drzwi.
Usłyszysz słaby szum.	<ul style="list-style-type: none"> Układ antykondensacyjny działa 	<ul style="list-style-type: none"> Zapobiega to kondensacji i jest normalne
Oświetlenie wnętrza lub układ chłodzenia nie działa.	<ul style="list-style-type: none"> Wtyczka sieciowa nie jest podłączona do gniazdka. Zasilanie nie jest w dobrym stanie. Lampa LED nie działa. 	<ul style="list-style-type: none"> Podłącz wtyczkę sieciową. Sprawdź zasilanie elektryczne w pomieszczeniu. Skontaktuj się z lokalnym dostawcą energii elektrycznej! Wezwij serwis w celu wymiany lampki.
Z rynienki dozownika wody cieknie lub kapie woda.	<ul style="list-style-type: none"> Zbiornik na wodę nie jest prawidłowo zainstalowany Rynienka dystrybutora wody nie jest mocno przykręcona do zbiornika. W rynience dystrybutora wody brakuje białego silikonowego pierścienia O-ring. 	<ul style="list-style-type: none"> Zamontuj ponownie zbiornik na wodę w drzwiach chłodziarki, upewnij się, że jest on całkowicie wciśnięty w drzwi. Rynienka jest mocno przykręcona do zbiornika wody. Sprawdź, czy rynienka wody ma biały silikonowy pierścień O-ring na końcu zbiornika przed jej przymocowaniem do zbiornika na wodę.



Aby skontaktować się z pomocą techniczną, odwiedź naszą stronę internetową:
<https://corporate.haier-europe.com/en/>

W sekcji „Strona internetowa” wybierz markę swojego produktu i kraj. Zostaniesz przekierowany/a na konkretną stronę internetową, na której znajdziesz numer telefonu i formularz do kontaktu z pomocą techniczną.

Przerwa w zasilaniu

W przypadku przerwy w dostawie prądu żywność powinna zachować bezpieczną temperaturę przez około 5 godzin. Podczas dłuższej przerwy w dostawie prądu, zwłaszcza latem, należy stosować się do poniższych wskazówek:

- ▶ Unikaj częstego otwierania drzwi/szuflady.
- ▶ Nie wkładaj do urządzenia dodatkowej żywności podczas przerwy w dostawie prądu.
- ▶ Jeśli przerwa w dostawie prądu została zgłoszona z wyprzedzeniem i trwa dłużej niż 5 godzin, należy przygotować trochę lodu i umieścić go w pojemniku w górnej części komory chłodziarki.
- ▶ Kontrola towaru jest wymagana niezwłocznie po przerwie.
- ▶ Ponieważ temperatura w chłodziarce wzrośnie podczas przerwy w zasilaniu lub innej awarii, okres przechowywania i jadalna jakość żywności ulegną skróceniu. Każda żywność, która się rozmraża, powinna zostać spożyta lub ugotowana i ponownie zamrożona (w stosownych przypadkach) wkrótce po tym, aby zapobiec zagrożeniom dla zdrowia.



UWAGA: Funkcja pamięci podczas przerwy

w zasilaniu

Po przywróceniu zasilania urządzenie kontynuuje ustawienia ustawione przed awarią zasilania.

Rozpakowanie



OSTRZEŻENIE!

- ▶ Urządzenie jest ciężkie. Prace powinny być wykonywane przez co najmniej dwie osoby.
- ▶ Wszystkie materiały opakowaniowe należy przechowywać poza zasięgiem dzieci i utylizować w sposób przyjazny dla środowiska.
- ▶ Wyjmij urządzenie z opakowania.
- ▶ Usuń całe opakowanie.

Warunki środowiskowe

Temperatura w pomieszczeniu powinna zawsze wynosić od 10 °C do 43 °C, ponieważ może wpływać na temperaturę wewnątrz urządzenia i zużycie energii. Nie ustawiaj urządzenia w pobliżu innych urządzeń bez izolacji emitujących ciepło (piekarniki, chłodziarki).

- Rozszerzony zakres temperatur (SN): To urządzenie chłodnicze przeznaczone jest do użytkowania w temperaturze otoczenia od 10°C do 32°C;
- Strefa umiarkowana (N): To urządzenie chłodnicze przeznaczone jest do użytkowania w temperaturze otoczenia od 16 °C do 32 °C;
- Strefa subtropikalna (ST): To urządzenie chłodnicze przeznaczone jest do użytkowania w temperaturze otoczenia od 16°C do 38°C;

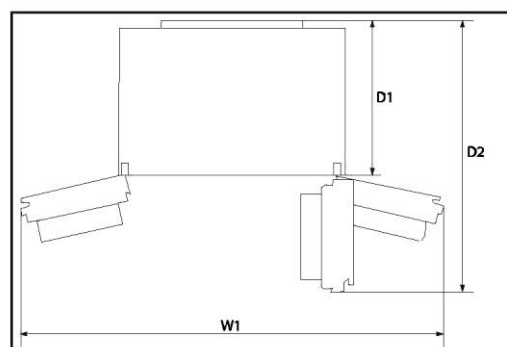
Wymagana przestrzeń

Wymagana przestrzeń przy otwarciu drzwi:

W1 = 157,8 cm

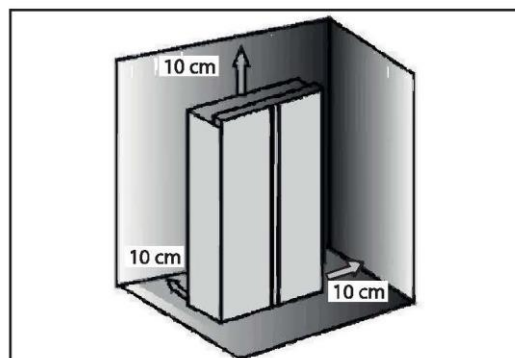
D1=62,9 cm

D2=117,3cm



Przekrój wentylatora

Aby zapewnić wystarczającą wentylację urządzenia ze względów bezpieczeństwa, należy przestrzegać informacji o wymaganych przekrojach wentylacji.

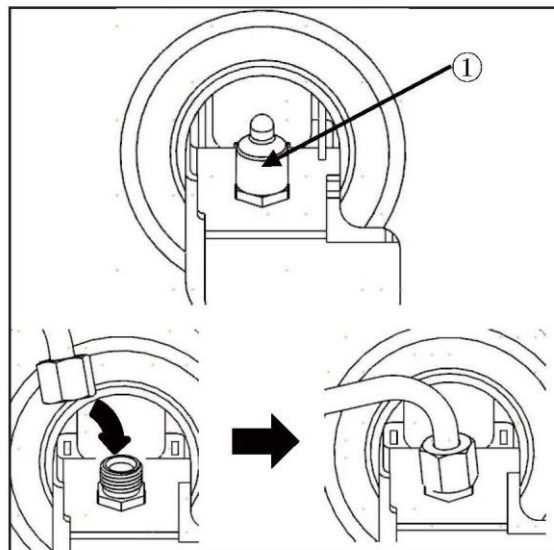


UWAGA

Dotyczy urządzenia wolnostojącego: To urządzenie chłodnicze nie jest przeznaczone do zabudowy.

Podłączanie wody do urządzenia

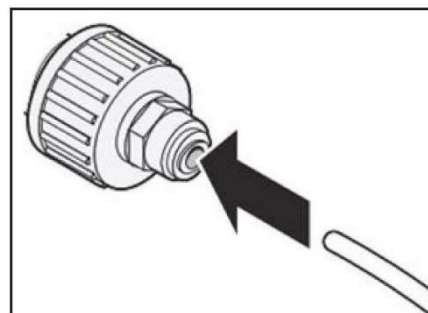
1. Zdejmij gumową zatyczkę (1) z zaworu wlotowego wody.
2. Mocno wciśnij przewód doprowadzający wodę do zaworu wlotowego wody i dokręć nakrętkę kołnierzową. Ten przewód wodny musi zostać przecięty w połowie i wykorzystany, a pozostały fragment stanowi część zamienną.



Podłączanie do kranu

Ta funkcja jest dostępna tylko w niektórych modelach.

1. Włóż przewód wody do otworu przyłącza kranowego dostarczonego z akcesoriami. Przewód należy mocno trzymać podczas wciskania do przyłącza.
 2. Upewnij się, że gumowa podkładka jest zamontowana wewnątrz przyłącza kranowego przed przykręceniem go do kranu.
- ▶ Konieczne może się okazać zakupienie oddzielnego złącza lub adaptera, jeśli złącze kranu nie pasuje do rozmiaru gwintu dostarczonego złącza.



Sprawdzanie podłączenia wody

Ta funkcja jest dostępna tylko w niektórych modelach.

- ▶ Odkręć dopływ wody i włącz urządzenie. Dokładnie sprawdź wszystkie złączki pod kątem ewentualnych wycieków z powodu źle zamocowanych węży.
- ▶ Naciśnij i przytrzymaj przycisk 3Sec. Filter Reset przez trzy sekundy. Nowy filtr wody został aktywowany.
- ▶ Umieść filiżankę pod dozownikiem wody, aby sprawdzić, czy woda przepływa przez urządzenie.
- ▶ Ponownie sprawdź przewód łączący i złącza pod kątem wycieków.



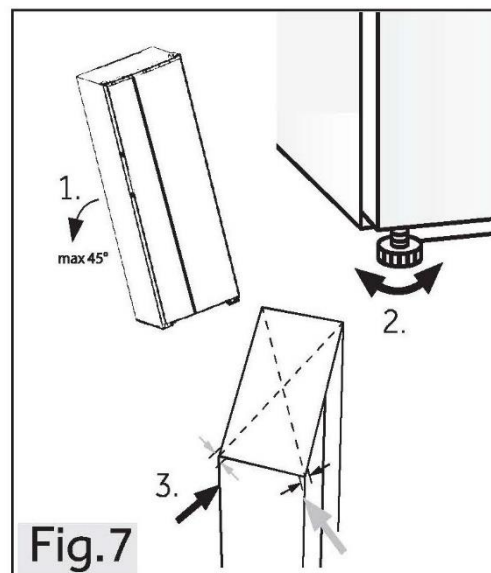
OSTRZEŻENIE!

- ▶ Upewnij się, że połączenia są zawsze mocne, suche i szczelne.
- ▶ Upewnij się, że waży nigdy nie jest zgnieciony, zagięty ani skręcony.

Ustawianie urządzenia

Urządzenie powinno być umieszczone na płaskiej i stabilnej powierzchni.

1. Przechylił urządzenie lekko do tyłu (rys. 7).
2. Ustaw nóżki na żądanym poziomie. Upewnij się, że odległość od ściany po bokach zawiasów wynosi co najmniej 10 cm.
3. Stabilność można sprawdzić, popychając urządzenie naprzemiennie w linii przekątnych. Lekkie kołysanie powinno być takie same w obu kierunkach. W przeciwnym razie rama może się wykrzywić; w rezultacie może dojść do rozszczelnienia drzwi. Niewielki przechył do tyłu pomaga przy zamykaniu drzwi.

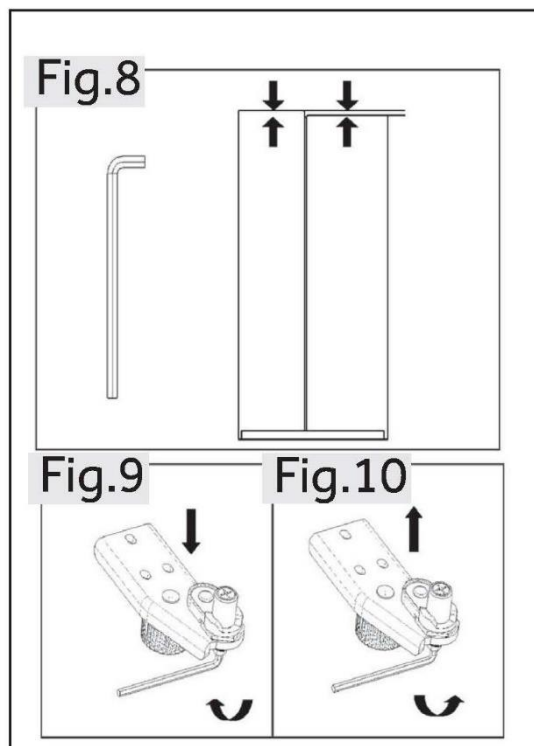


Regulowanie drzwi

Jeśli po wyrównaniu drzwi za pomocą nóżek drzwi nadal nie znajdują się na jednym poziomie, można temu zaradzić, obracając kluczem wałek podnoszenia zawiasu w prawym dolnym rogu drzwi chłodniczych (rys. 8)

Obróć kluczem wałek podnoszący zgodnie z ruchem wskazówek zegara, aby obniżyć wysokość drzwi (rys. 9).

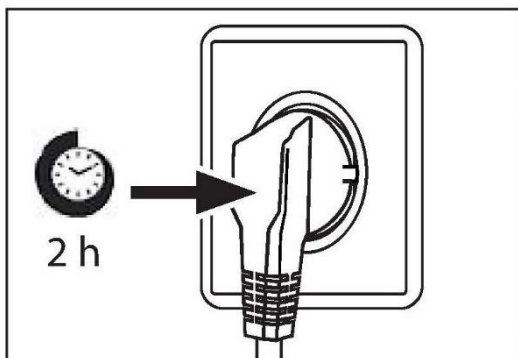
Wałek podnoszący należy obrócić kluczem na wysokość drzwi (rys. 10).





OSTRZEŻENIE!

Nie reguluj nadmiernie wałka podnoszenia zawiasu na wysokość, która mogłaby spowodować opuszczenie pierwotnej pozycji zablokowanej. (Zakres regulacji wysokości: 3 mm)



Czas oczekiwania

W zbiorniku sprężarki znajduje się olej bezobsługowy. Olej ten może przedostać się poprzez zamknięty system rur podczas transportu w pozycji przechylonej. Przed podłączeniem urządzenia do zasilania trzeba odczekać co najmniej 2 godziny, aby olej spłynął z powrotem do zbiornika.

Podłączenie do prądu

Przed każdym podłączeniem sprawdź, czy:

- ▶ zasilacz, gniazdo i bezpieczniki odpowiadają parametrom podanym na tabliczce znamionowej.
- ▶ gniazdko jest uziemione i nie zastosowano rozgałęźnika lub przedłużacza.
- ▶ wtyczka i gniazdko są ściśle zgodne.

Podłącz wtyczkę do prawidłowo zainstalowanego gniazdka domowego.



OSTRZEŻENIE!

Aby uniknąć ryzyka, uszkodzony przewód zasilający musi zostać wymieniony przez serwis (zob. karta gwarancyjna).

Demontaż i montaż drzwi

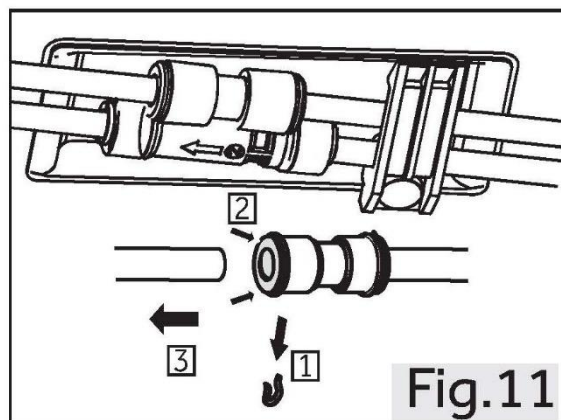
W przypadku konieczności zdjęcia drzwi urządzenia należy postępować zgodnie z poniższymi instrukcjami demontażu i montażu drzwi.



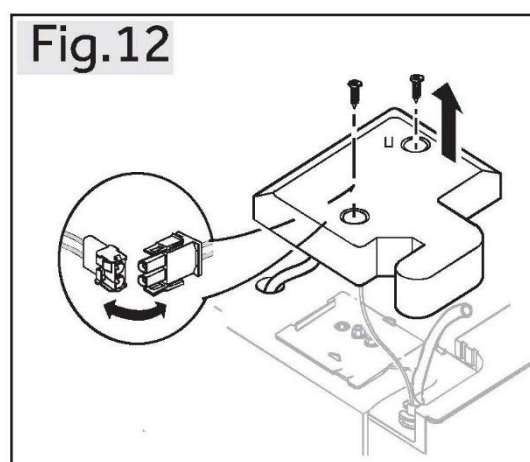
OSTRZEŻENIE!

- ▶ Przed jakąkolwiek czynnością wyłącz urządzenie i wyjmij wtyczkę z gniazdka sieciowego.
- ▶ Zablokuj główny zawór wody.
- ▶ Urządzenie jest ciężkie. Prace powinny być wykonywane przez co najmniej dwie osoby.
- ▶ Nie przechylaj urządzenia pod kątem większym niż 45° ani nie stawiaj go poziomo na ziemi.
- ▶ Drzwi mogą się przewrócić i zranić ludzi lub ulec uszkodzeniu podczas wykonywania tych czynności, należy zachować większą ostrożność podczas zdejmowania i instalowania drzwi.

1. Zwolnij lewą stronę dwóch złączy wodnych w lewym przednim rogu na dole urządzenia: naciśnij i przytrzymaj kołnierz, jak pokazano, i wyjmij rurę wodną. (rys. 11).



2. Odkręć śrubę osłony zawiasów i zdejmij osłonę (rys. 12). Podczas zdejmowania drzwi zamrażarki odłącz wszystkie przewody z wyjątkiem przewodu uziemiającego.

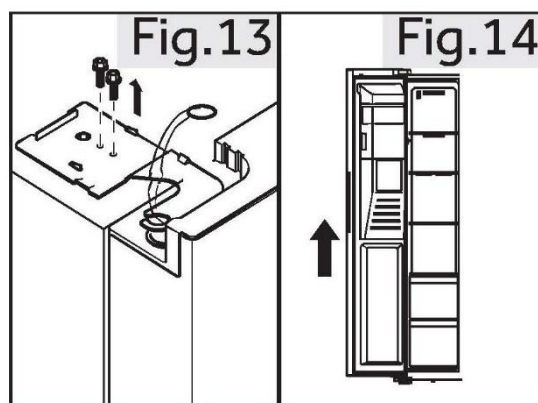


3. Odkręć śruby mocujące górny zawias, a następnie zdejmij zawias (rys. 13).

4. Podnieś drzwi, aby je wyjąć (rys. 14). Zdejmując drzwi zamrażarki, podnieś je na tyle wysoko, aby wyciągnąć przyłącze wody z dolnej części urządzenia.

5. Zamontuj ponownie drzwi, wykonując czynności demontażowe w odwrotnej kolejności. Upewnij się, że kabel uziemiający zostanie zamocowany za pomocą śruby.

6. Ponownie zamontować przyłącze wody.




UWAGA: Drzwi chłodziarki

Zdjęcia przedstawiają demontaż drzwi komory zamrażarki. W przypadku drzwi chłodziarki użyj odpowiednich części po drugiej stronie.



Karta produktu zgodnie z rozporządzeniem UE nr 2019/2016

Marka	Haier
Nazwa modelu / identyfikator	HSW59F18DIMM HSW79F18DIPT
Kategoria modelu	Chłodziarko-zamrażarka
Klasa efektywności energetycznej	D
Roczne zużycie energii (kWh/rok) ⁽¹⁾	267
Całkowita pojemność (l)	601
Pojemność chłodziarki (L)	391
Pojemność zamrażarki (L)	210
Oznakowanie gwiazdkami	
Temperatura pozostałych komór > 14°C	Nie dotyczy
System bez szronu	Tak
Wydajność zamrażania (kg/24h)	10
Klasyfikacja klimatyczna ⁽²⁾	SN-N-ST
Klasa emisji hałasu i emisja hałasu akustycznego w powietrzu (db(A) re 1pW)	C(36)
Czas wzrostu temperatury (h)	5
Wydajność wytwarzania lodu	0,8 kg/24h
Rodzaj konstrukcji	wolnostojąca

Objaśnienie:

- Tak, wyróżnione

(1) Na podstawie wyników badania zgodności norm w ciągu 24 godzin. Rzeczywiste zużycie zależy od użytkownika i lokalizacji urządzenia.

(2) Klasa klimatyczna SN: To urządzenie jest przeznaczone do użytku w temperaturze otoczenia od +10°C do +32°C

Klasa klimatyczna N: To urządzenie jest przeznaczone do użytku w temperaturze otoczenia od +16°C do +32°C

Klasa klimatyczna ST: To urządzenie jest przeznaczone do użytku w temperaturze otoczenia od +16°C do +38°C

Dodatkowe dane techniczne

Napięcie / Częstotliwość	220-240V ~/50Hz
Natężenie wejściowe (A)	1,8
Moc wejściowa rozmrażania (W)	220
Bezpiecznik główny (A)	15
Płyn chłodzący	R600a
Wymiary (wys./szer./gł. w mm)	1775/905/726



Polecamy nasz system Obsługi Klienta Haier i stosowanie oryginalnych części zamiennych. Jeśli masz problem z urządzeniem, najpierw sprawdź sekcję ROZWIĄZYWANIE PROBLEMÓW.

Jeżeli nie możesz znaleźć rozwiązania, prosimy o

- ▶ kontakt z lokalnym sprzedawcą lub
- ▶ naszym Europejskim Centrum Obsługi Klienta (zob. poniżej wymienione numery telefonów) lub
- ▶ obszarem serwisu i wsparcia na stronie www.haier.com, gdzie można aktywować zgłoszenie
- ▶ serwisowe i znaleźć odpowiedzi na najczęściej zadawane pytania.

Zanim skontaktujesz się z naszym działem obsługi, upewnij się, że masz następujące dane. Informacje można znaleźć na tabliczce znamionowej.

Model _____

Nr seryjny _____

Sprawdź także kartę gwarancyjną dostarczoną z produktem.

Europejskie Centrum Obsługi Klienta		
Kraj*	Numer telefonu	Koszty
Haier Italy (IT)	199 100912	
Haier Spain (ES)	902 509 123	
Haier Germany (DE)	0180539 39 99	<ul style="list-style-type: none">• 14 centów/min. telefon stacjonarny• maks. 42 centów/min. telefon komórkowy
Haier Austria (AT)	0820 001 205	<ul style="list-style-type: none">• 14,53 centów/min. telefon stacjonarny• maks. 20 centów/min. wszystkie pozostałe
Haier United Kingdom (UK)	0333 003 8122	
Haier France (FR)	0980 406 409	



Obsługa klienta

* Numery innych krajów można znaleźć na stronie www.haier.com

Haier Europe Trading S.r.l

Oddział Wielka Brytania

Westgate House, Westgate, Ealing

Londyn, W5 1YY

*Okres gwarancji na urządzenie chłodnicze:

Minimalna gwarancja wynosi: 2 lata dla krajów UE, 3 lata dla Turcji, 1 rok dla Wielkiej Brytanii, 1 rok dla Rosji, 3 lata dla Szwecji, 2 lata dla Serbii, 5 lat dla Norwegii, 1 rok dla Maroka, 6 miesięcy dla Algierii, w Tunezji nie jest wymagana gwarancja prawna.

*Okres dla części zamiennych do naprawy urządzenia:

Termostaty, czujniki temperatury, płytki drukowane i źródła światła są dostępne przez okres co najmniej siedem lat od wprowadzenia na rynek ostatniego egzemplarza modelu. Klamki, zawiasy drzwi, tace i kosze przez co najmniej siedem lat, a uszczelki drzwi przez co najmniej 10 lat od wprowadzenia na rynek ostatniego egzemplarza modelu.

*Aby uzyskać więcej informacji o produkcie, odwiedź stronę internetową

<https://eprel.ec.europa.eu/> lub zeskanuj kod QR na etykiecie wydajności energetycznej dołączonej do urządzenia.

Haier

2023 Version A



0060535837